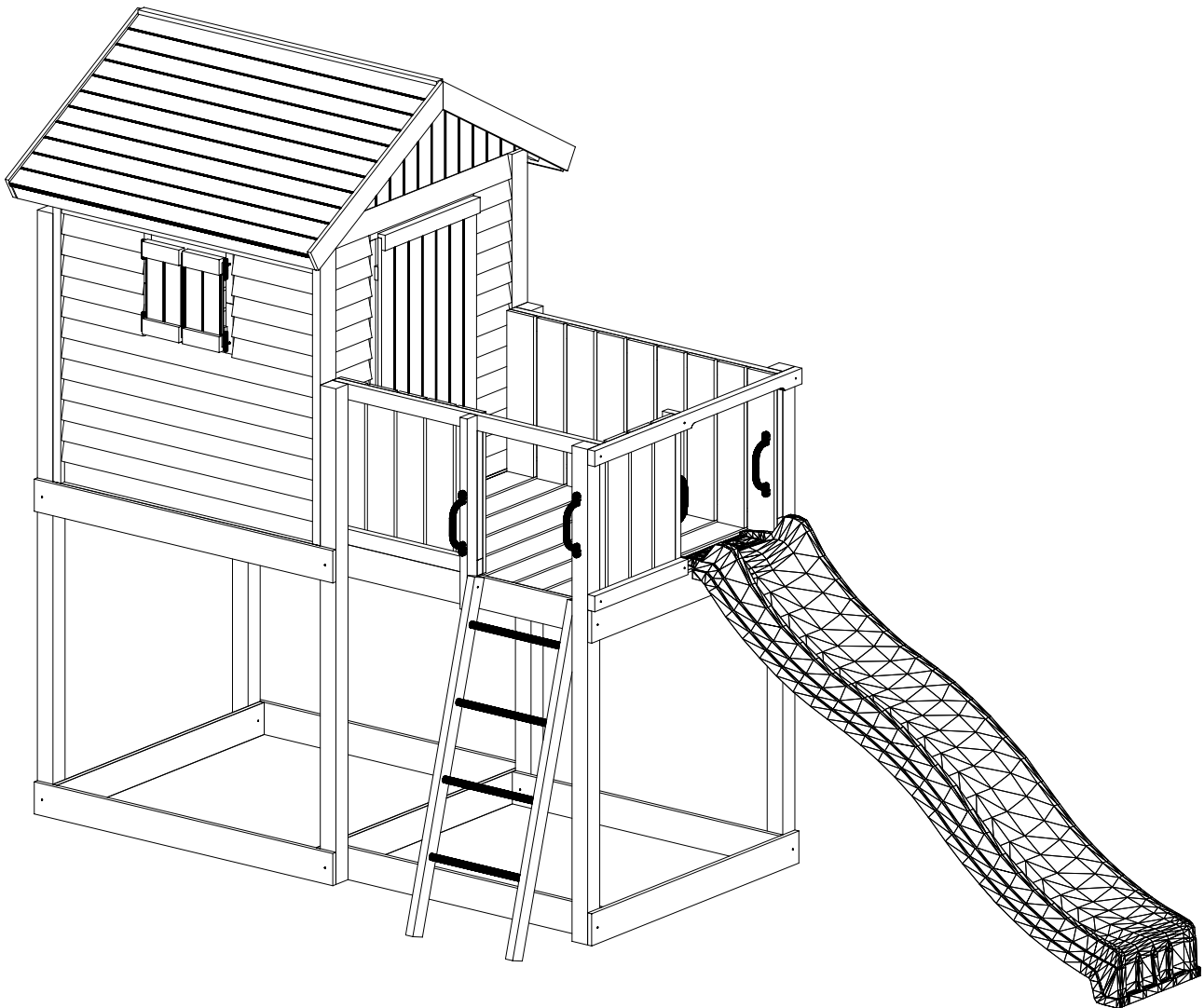


SPIELPLATZ MY HOUSE

(440 x 156 x h284cm)

003_01075_20012015

MONTAGEANLEITUNG



WARNUNG!

Nur für den Hausgebrauch.

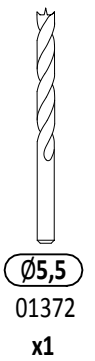
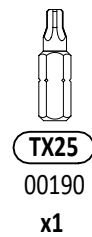
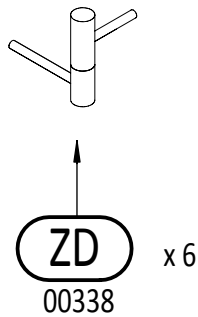
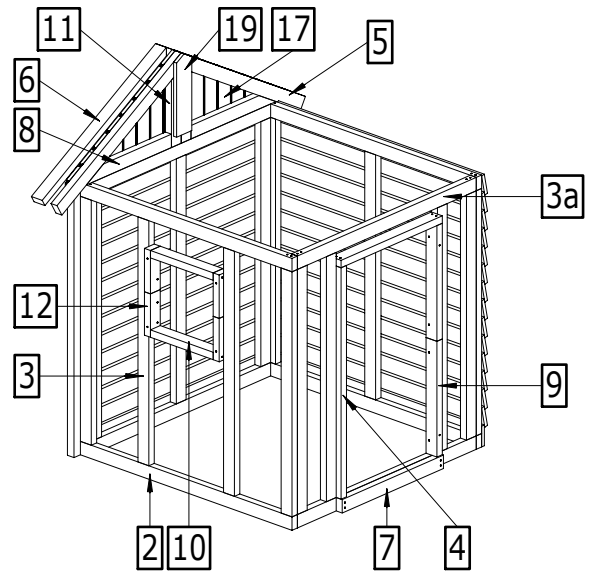
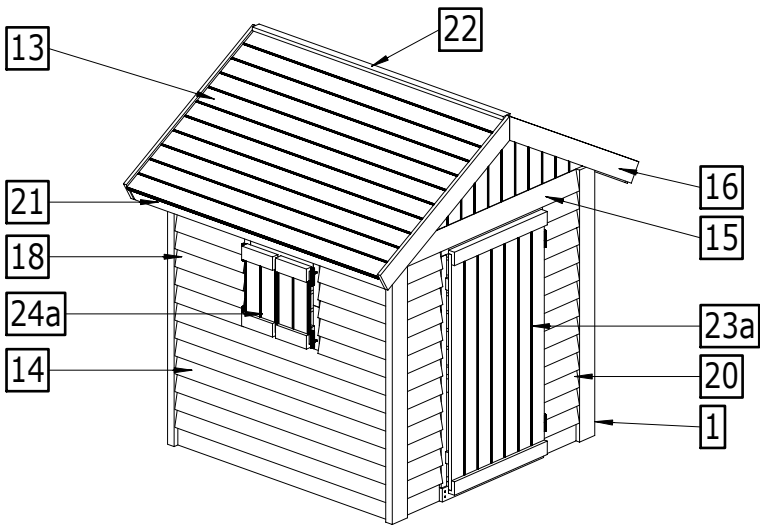
Nur für den Außeneinsatz

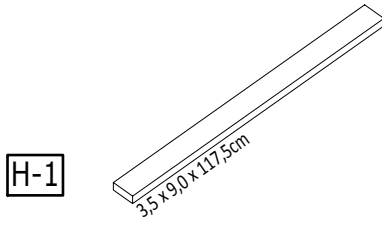
Konzipiert für Kinder ab 3 Jahren

Sturz- und / oder Anstoßgefahr

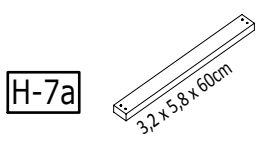
Das zulässige Höchstgewicht beträgt 50 kg.

Es können maximal 7 Kinder gleichzeitig auf dem Spielturn stehen.

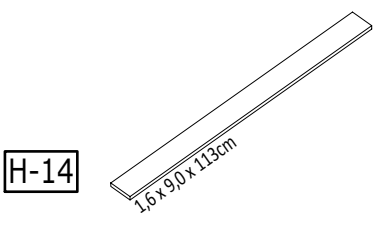




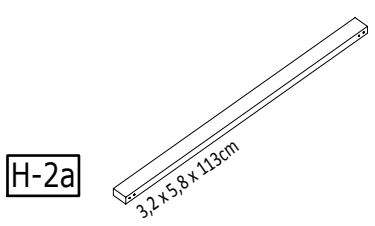
H-1



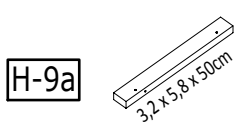
H-7a



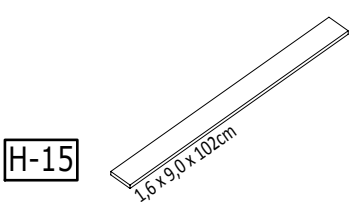
H-14



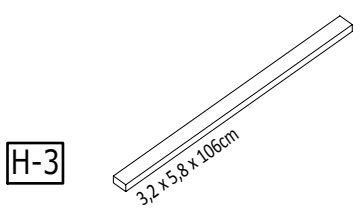
H-2a



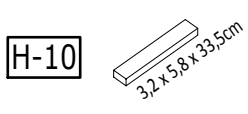
H-9a



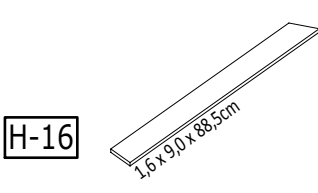
H-15



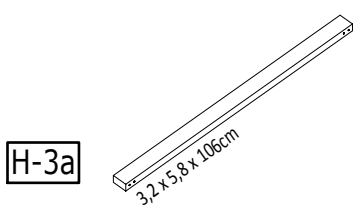
H-3



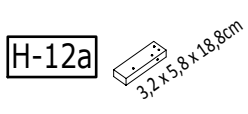
H-10



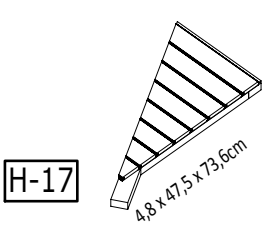
H-16



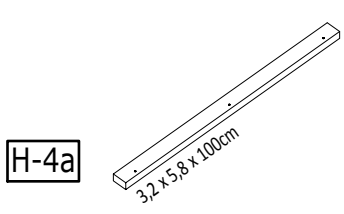
H-3a



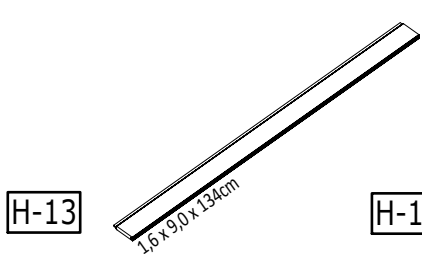
H-12a



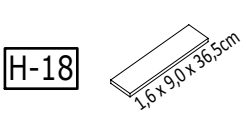
H-17



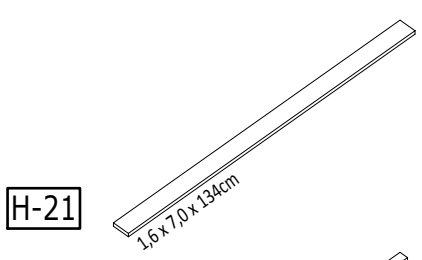
H-4a



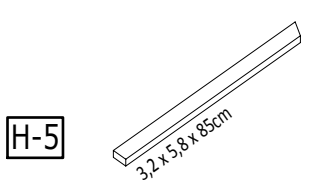
H-13



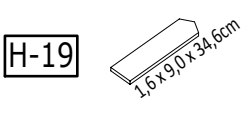
H-18



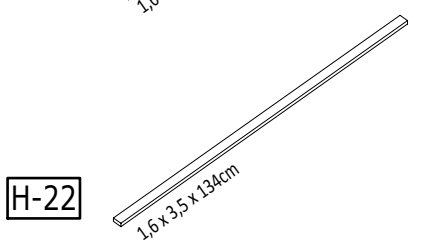
H-21



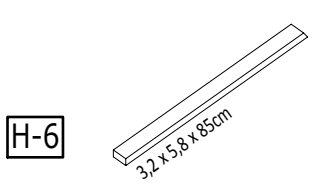
H-5



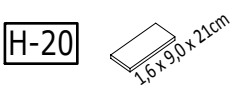
H-19



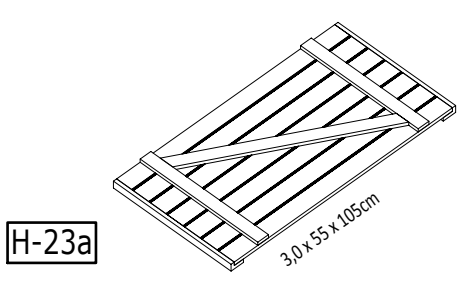
H-22



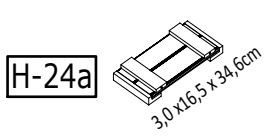
H-6



H-20



H-23a



H-24a

H-1	35x90x1175mm	4
H-2a	32x58x1130mm	4
H-3	32x58x1060mm	14
H-3a	32x58x1060mm	4
H-4a	32x58x1000mm	1
H-5	32x58x850mm	2
H-6	32x58x850mm	4
H-7a	32x58x600mm	2
H-9a	32x58x500mm	2
H-10	32x58x335mm	2
H-12a	32x58x187mm	4
H-13	16x90x1340mm	22
H-14	16x90x1130mm	25
H-15	16x90x1020mm	18
H-16	16x90x885mm	4
H-18	16x90x365mm	10
H-19	16x90x345mm	2
H-20	16x90x210mm	28
H-21	16x70x1340mm	2
H-22	16x35x1340mm	1
H-23a	47x550x1050mm	1
H-24a	47x165x345mm	2
H-17	pólszczyt	4

W80 x203



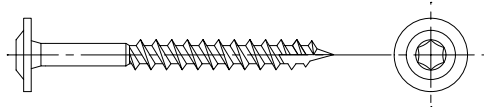
W40 x622



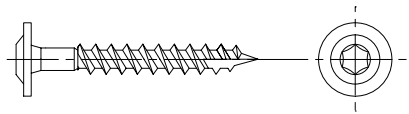
W20 x2



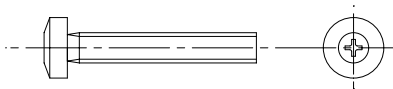
T80 x43



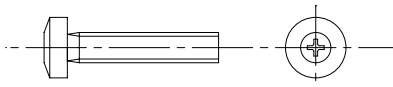
T60 x16



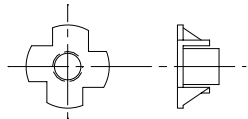
S50 x8



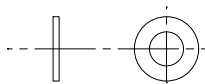
S40 x2



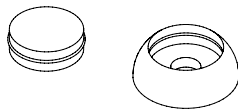
L11 x10



P17 x18



OS1 x40



Ø3
00239
x1

Ø5,5
01372
x1

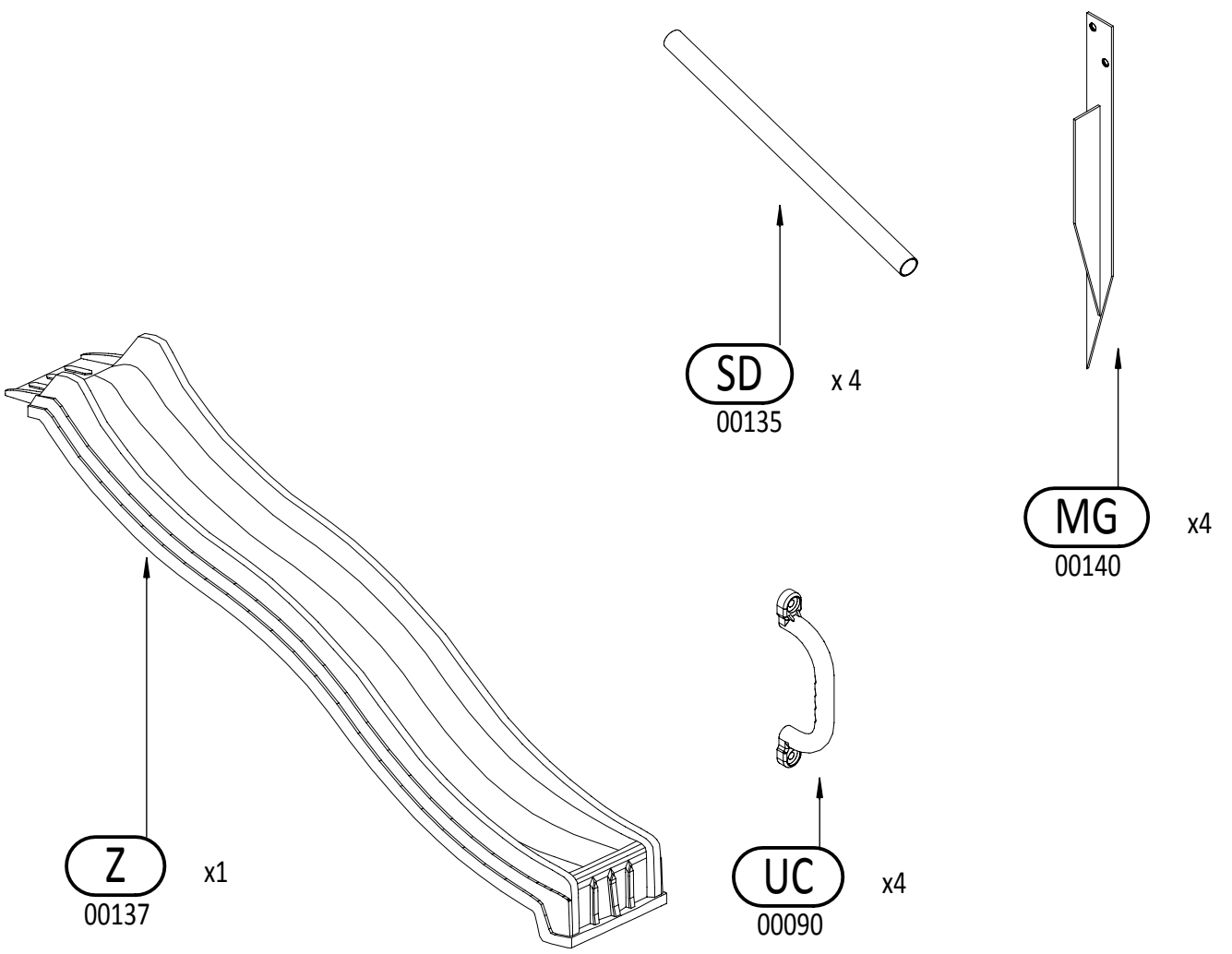
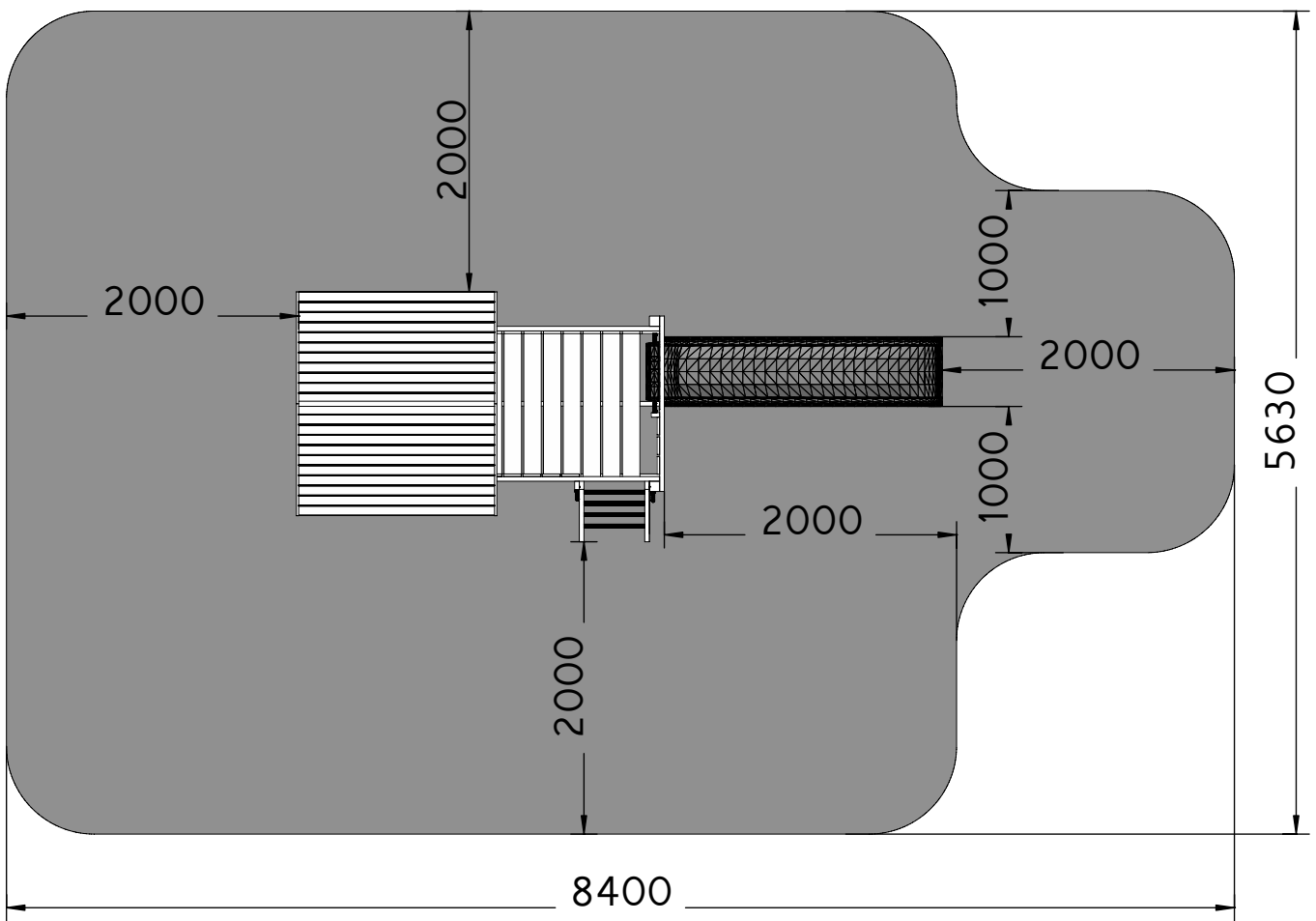
Ø10
00188
x1

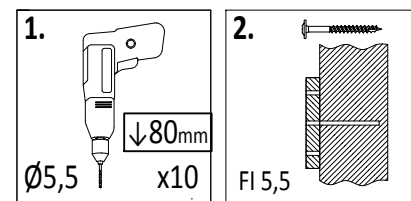
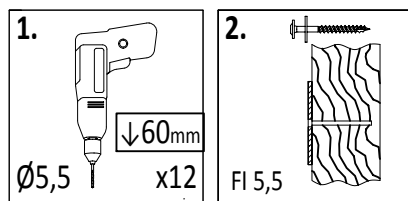
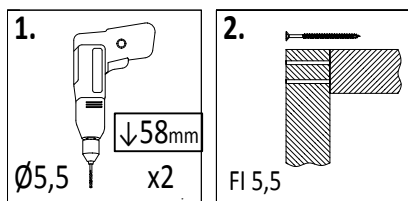
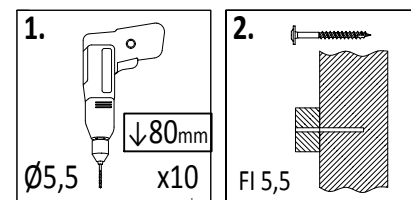
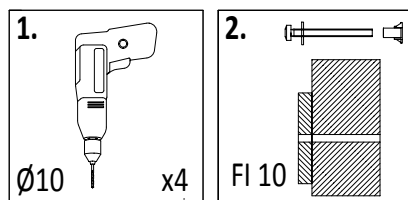
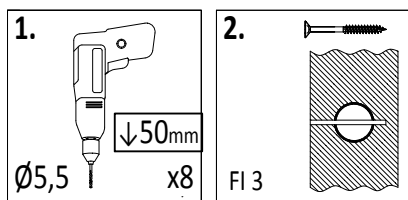
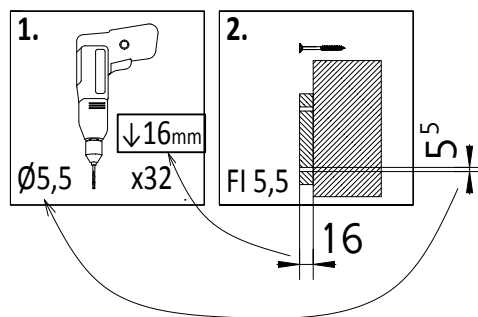
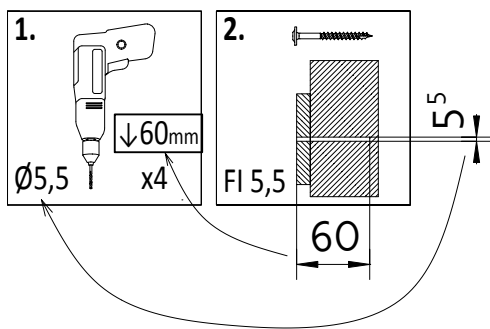
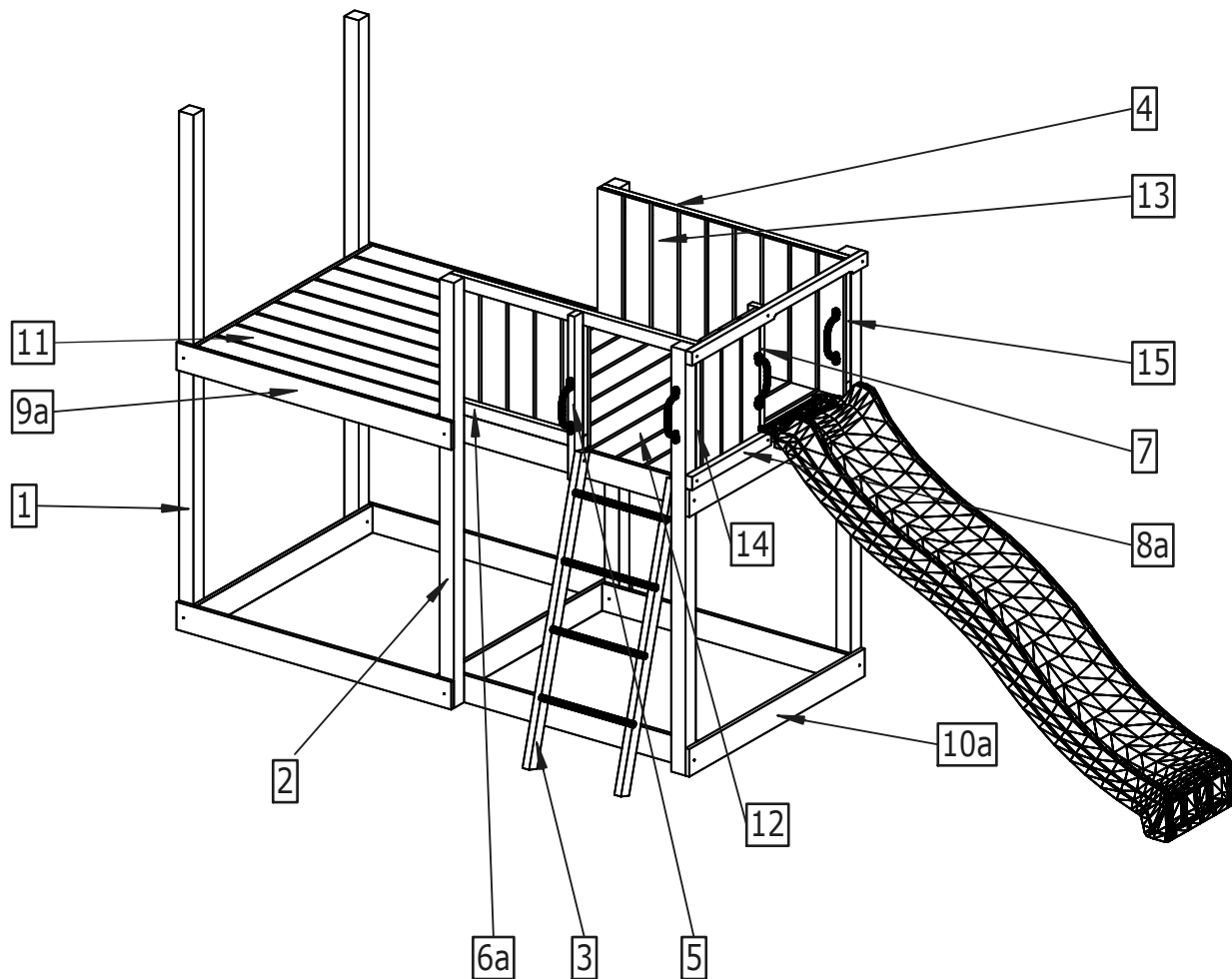
PH3
00068
x1

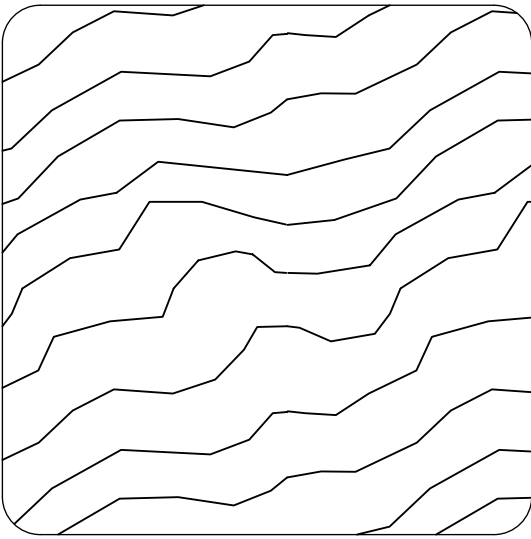
PZ2
00241
x1

TX25
00190
x1

TX40
00242
x1

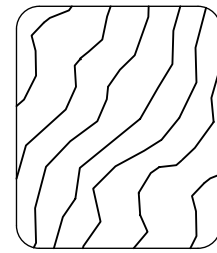






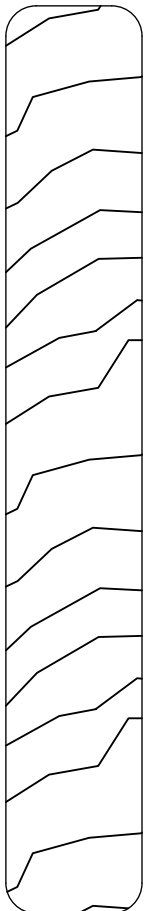
7,0 x 7,0 cm

Nr.	Maß	Stück
P-1	70x70x2250mm	2
P-2	70x70x1850mm	4



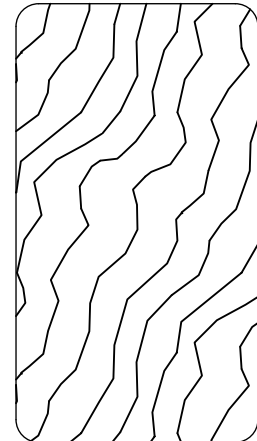
2,7 x 3,2 cm

Nr.	Maß	Stück
P-14	32x27x542mm	1
P-15	32x27x484mm	2



1,8 x 12,0 cm

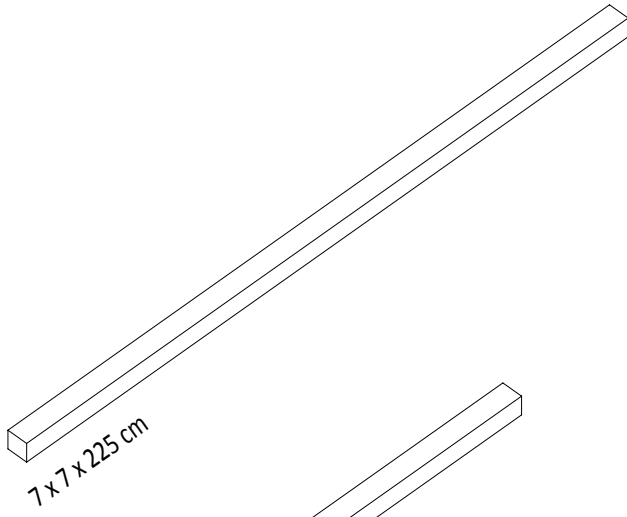
Nr.	Maß	Stück
P-9a	18x120x1340mm	4
P-10a	18x120x1200mm	10
P-11	18x120x1164mm	9
P-12	18x120x1024mm	9
P-13	18x120x600mm	17



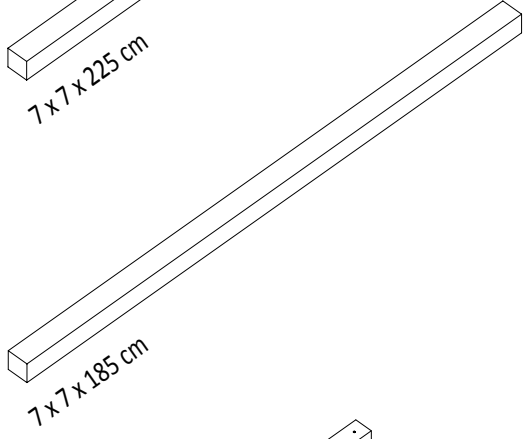
3,2 x 5,8 cm

Nr.	Maß	Stück
P-3a	32x58x1300mm	2
P-4	32x58x1200mm	6
P-4a	32x58x1200mm	2
P-4b	32x58x1200mm	1
P-4c	32x58x1200mm	1
P-5	32x58x715mm	1
P-6a	32x58x650mm	1
P-7	32x58x600mm	1
P-8a	32x58x540mm	1

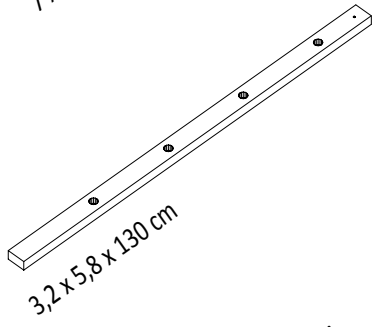
P-1



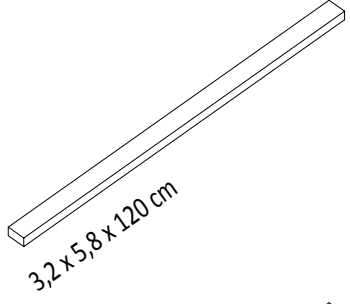
P-2



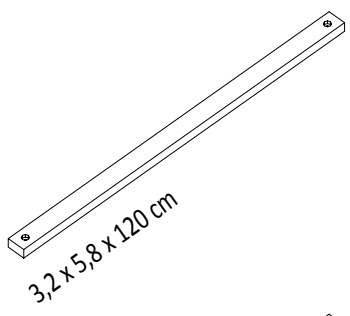
P-3a



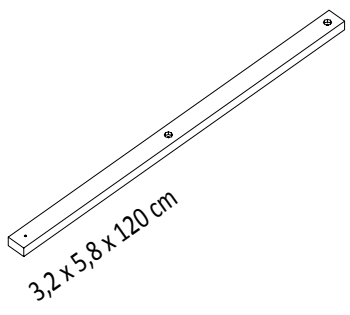
P-4



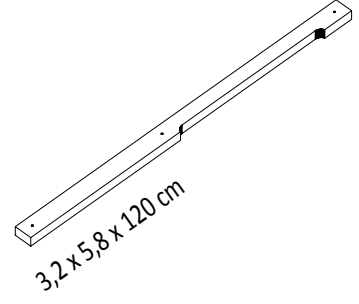
P-4a



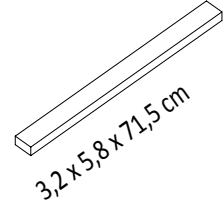
P-4b



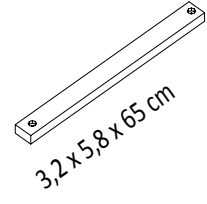
P-4c



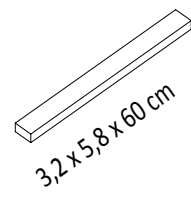
P-5



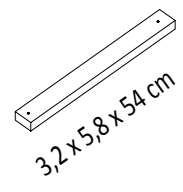
P-6a



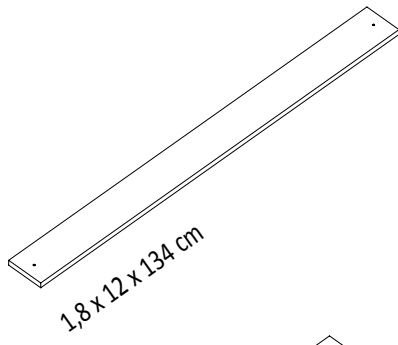
P-7



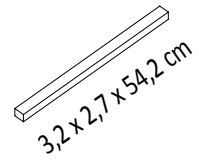
P-8a



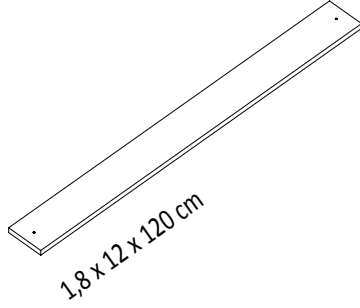
P-9a



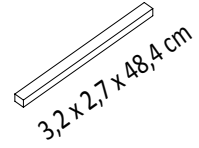
P-14



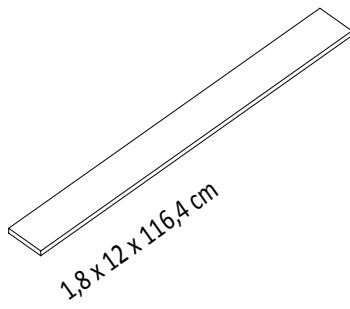
P-10a



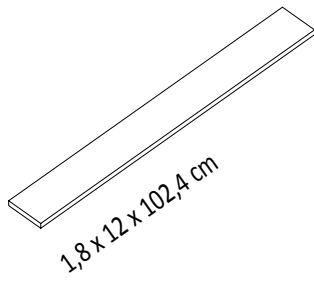
P-15



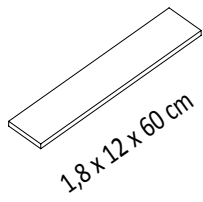
P-11



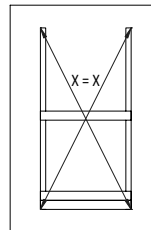
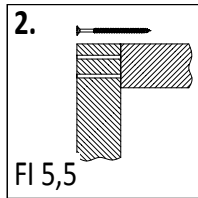
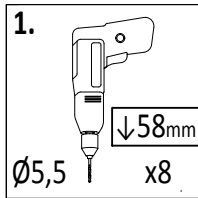
P-12



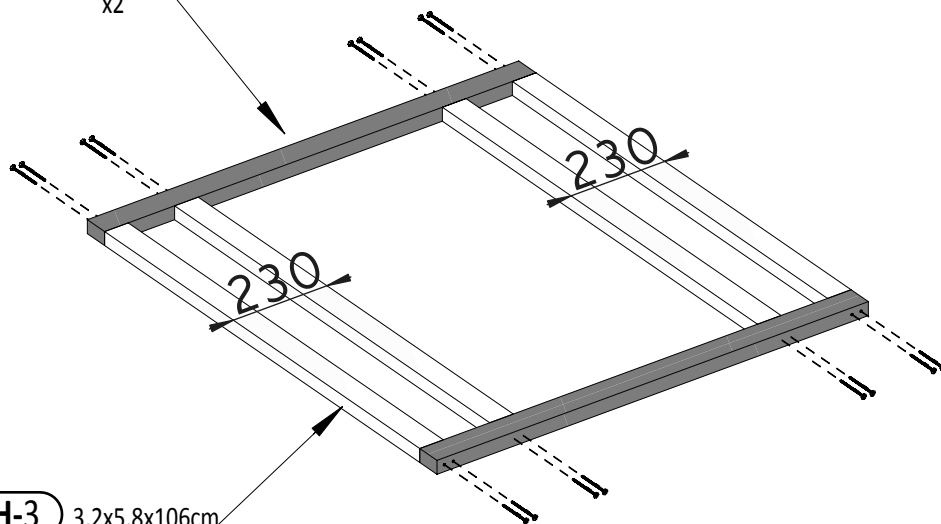
P-13



01



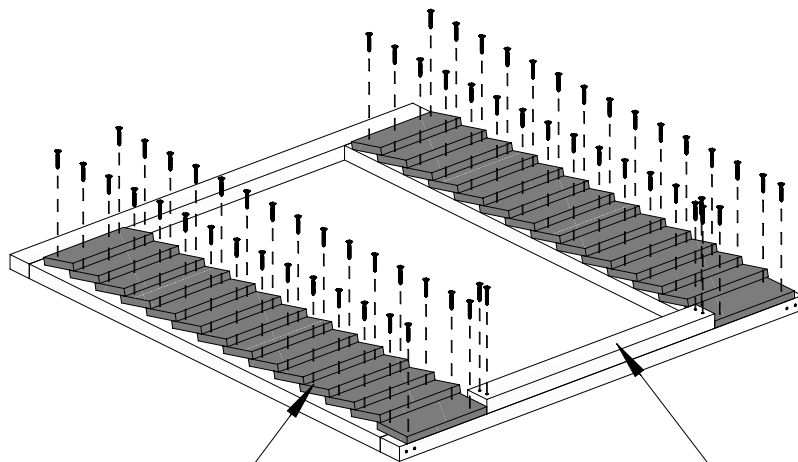
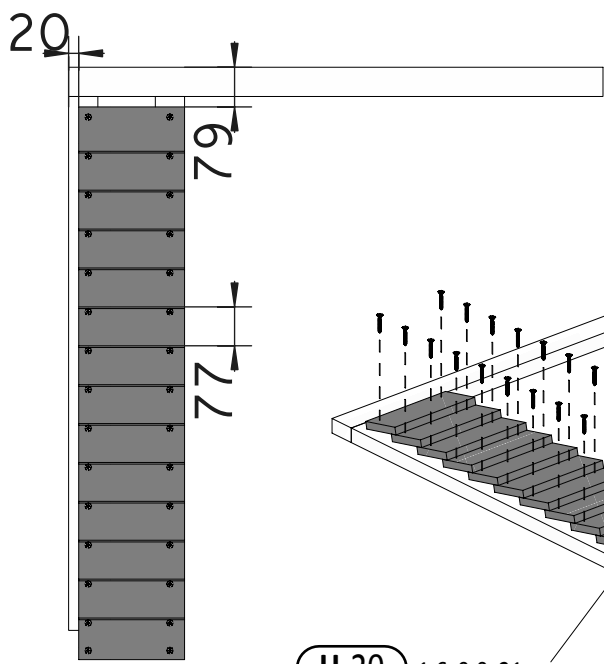
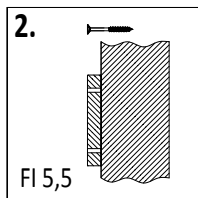
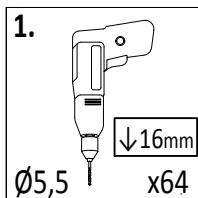
H-3a 3,2x5,8x106cm
x2



H-3 3,2x5,8x106cm
x4

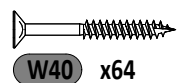


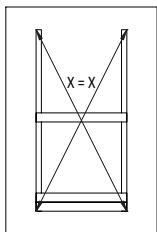
02



H-20 1,6x9,0x21cm
x28

H-7a 3,2x5,8x60cm
x1

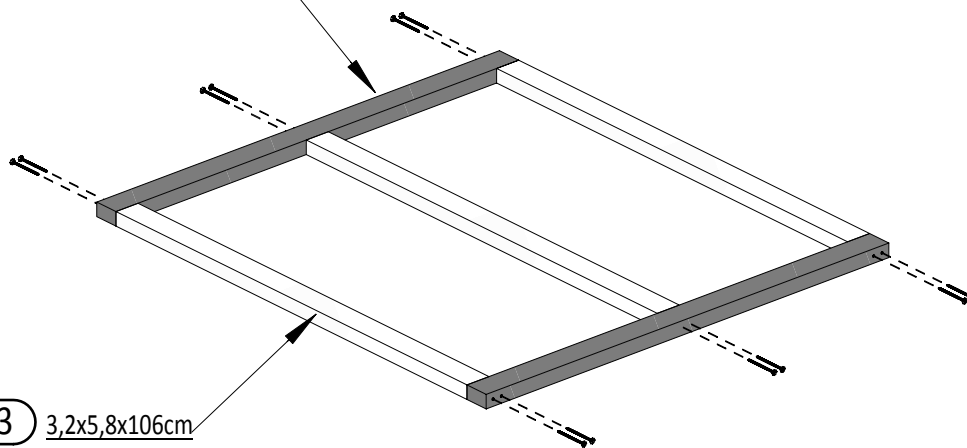




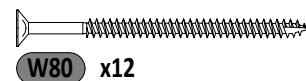
1. $\downarrow 58\text{mm}$
 $\varnothing 5,5$ x4

2. FI 5,5

H-3a 3,2x5,8x106cm
x2

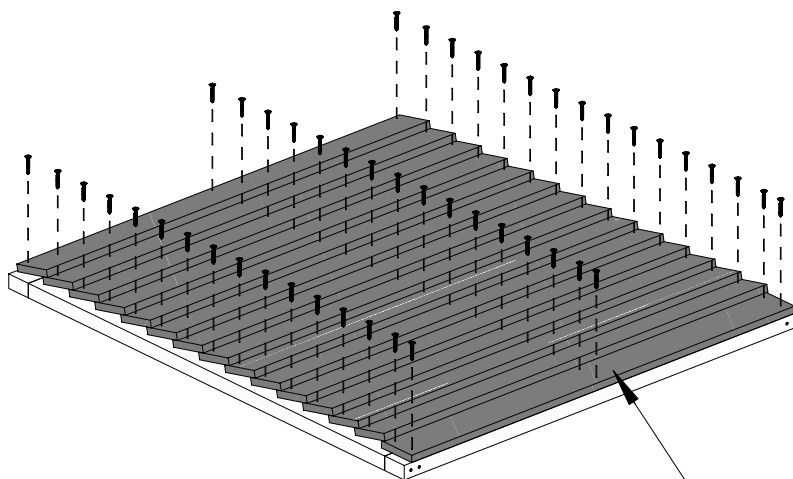
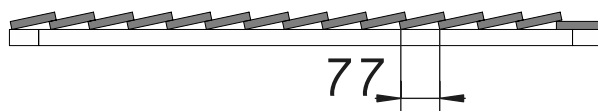
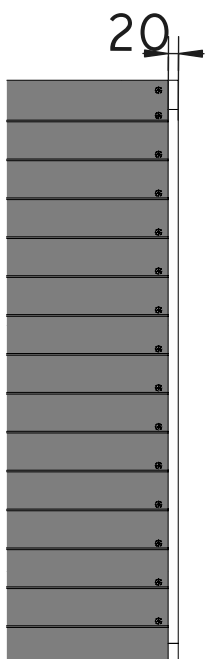


H-3 3,2x5,8x106cm
x3

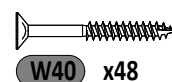


1. $\downarrow 16\text{mm}$
 $\varnothing 5,5$ x32

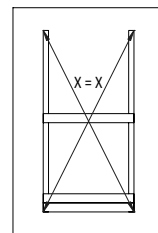
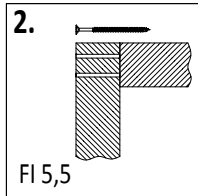
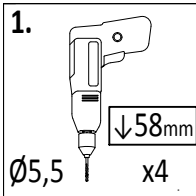
2. FI 5,5



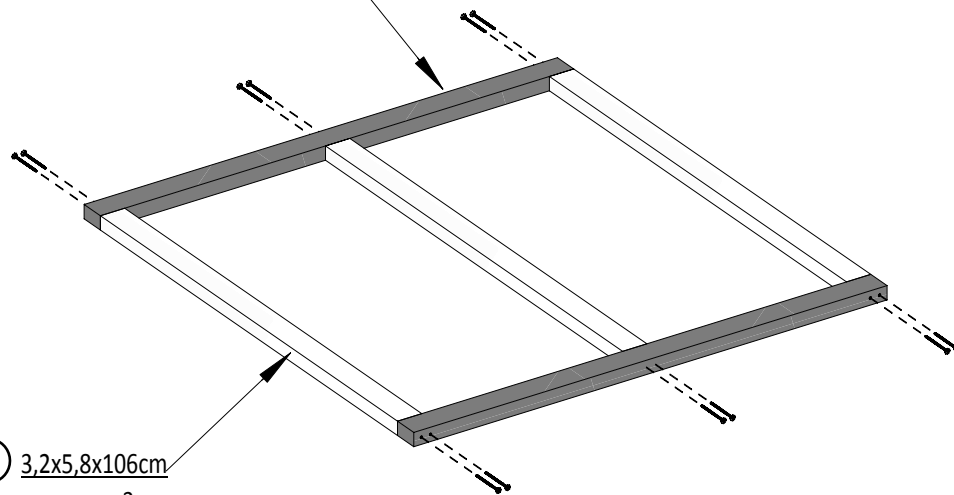
H-15 1,6x9,0x102cm
x15



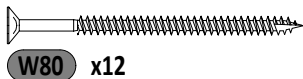
05



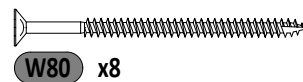
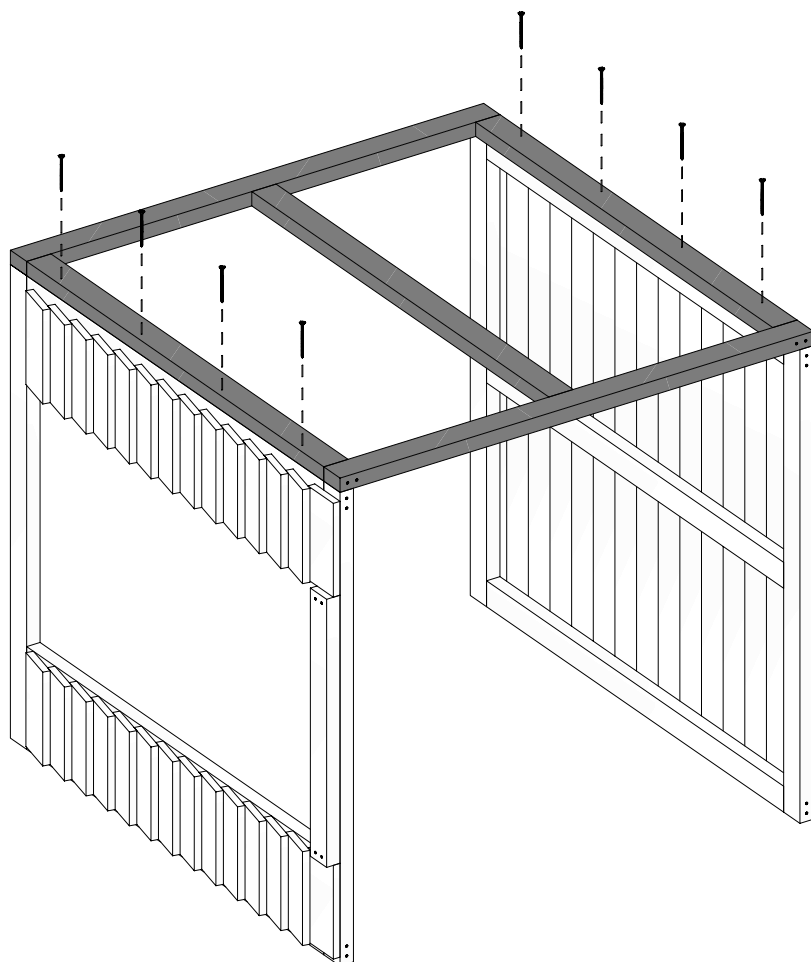
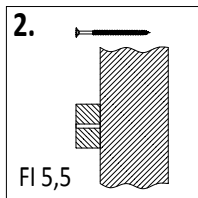
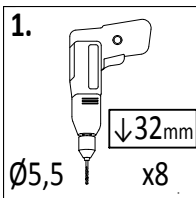
H-2a 3,2x5,8x113cm
x2

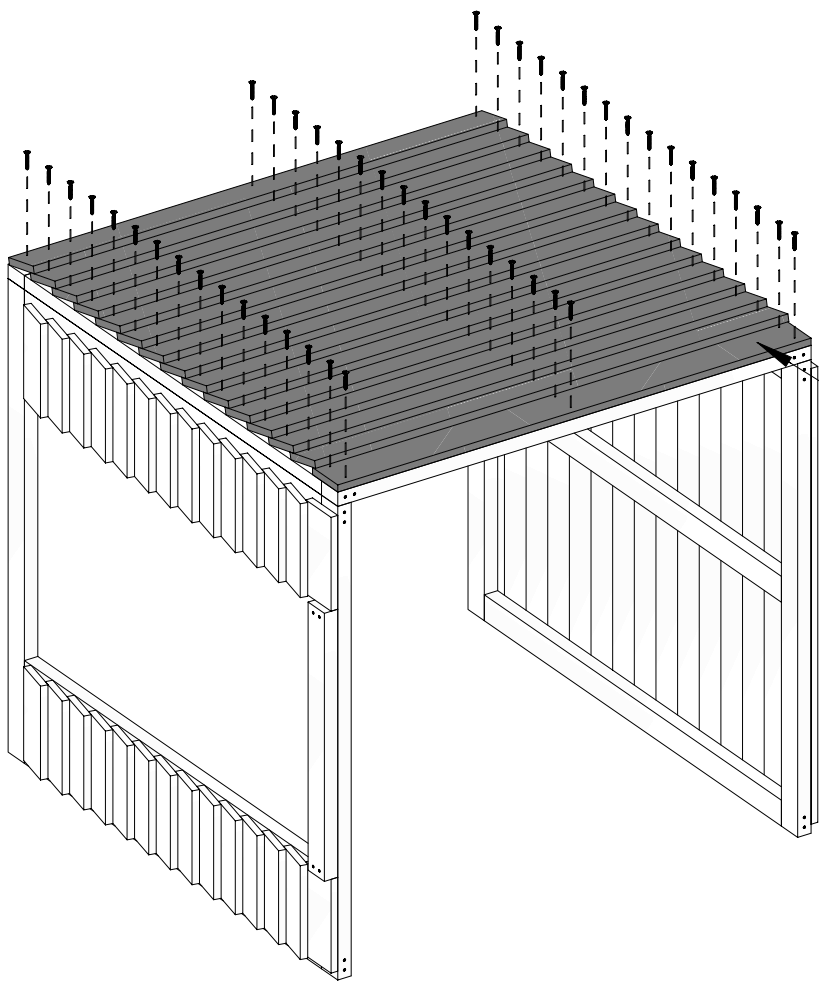


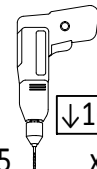
H-3 3,2x5,8x106cm
x3

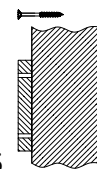


06

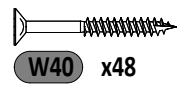




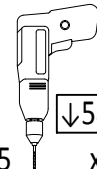
1.  $\downarrow 16\text{mm}$
 $\varnothing 5,5$ x48

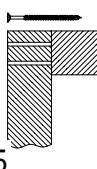
2. 
 FI 5,5

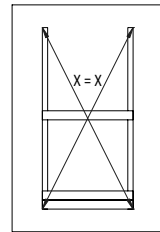
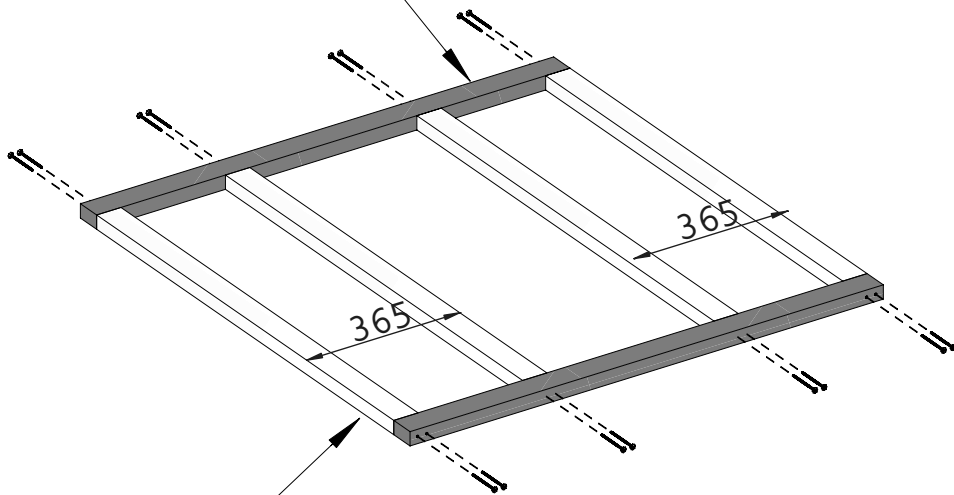
H-14 1,6x9,0x113cm
x15



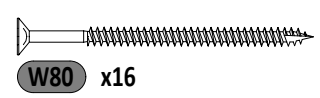
H-2a 3,2x5,8x113cm
x2

1.  $\downarrow 58\text{mm}$
 $\varnothing 5,5$ x8

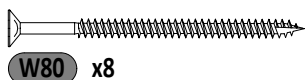
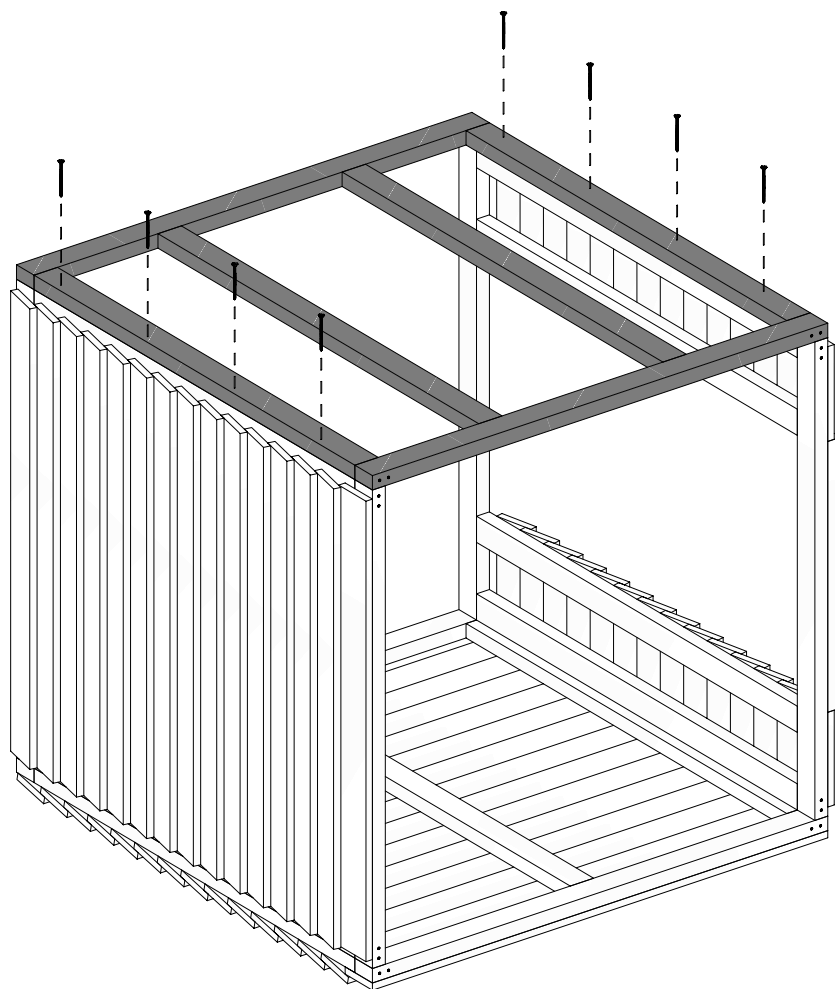
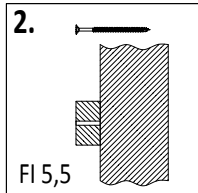
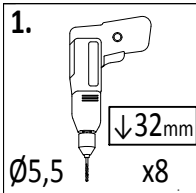
2. 
 FI 5,5



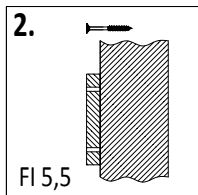
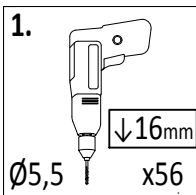
H-3 3,2x5,8x106cm
x4



09

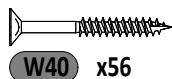
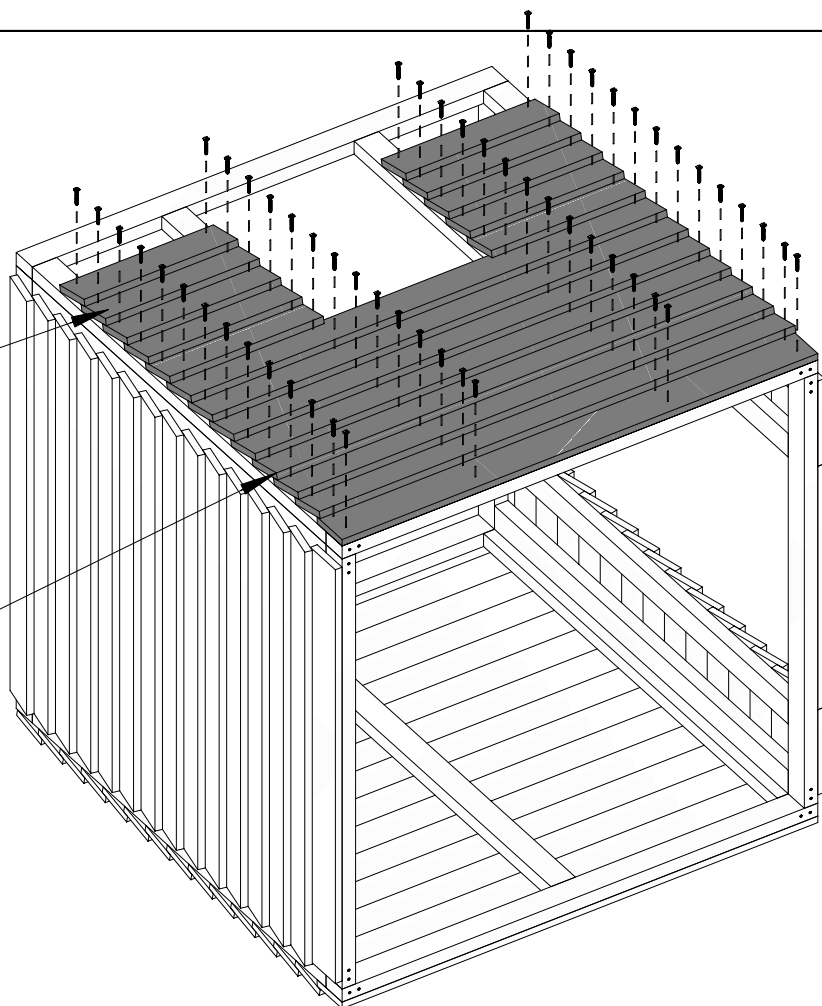


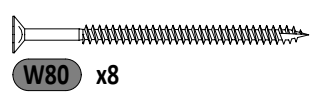
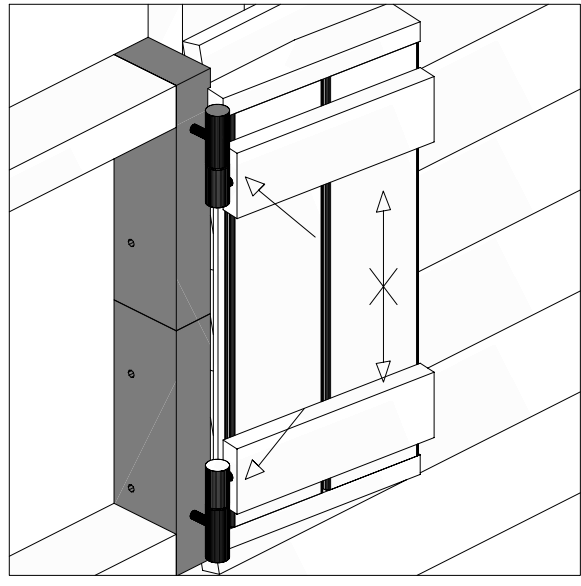
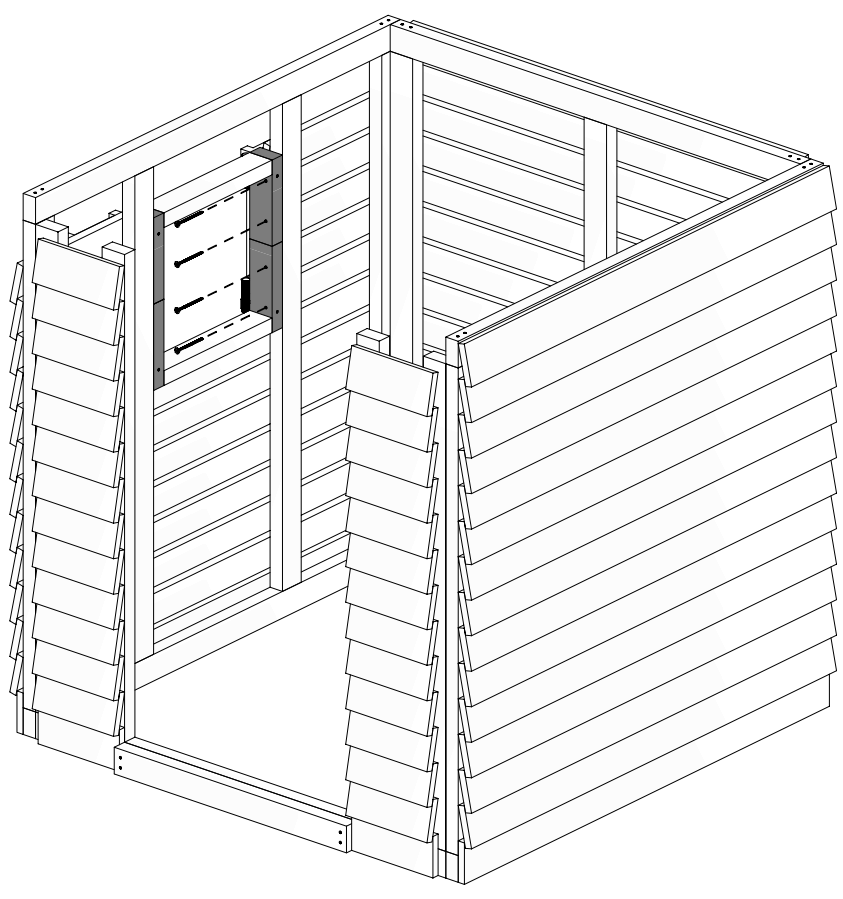
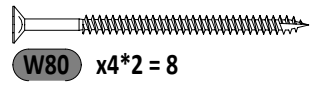
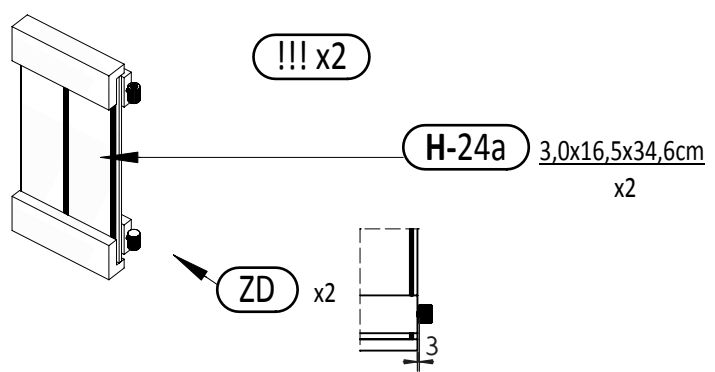
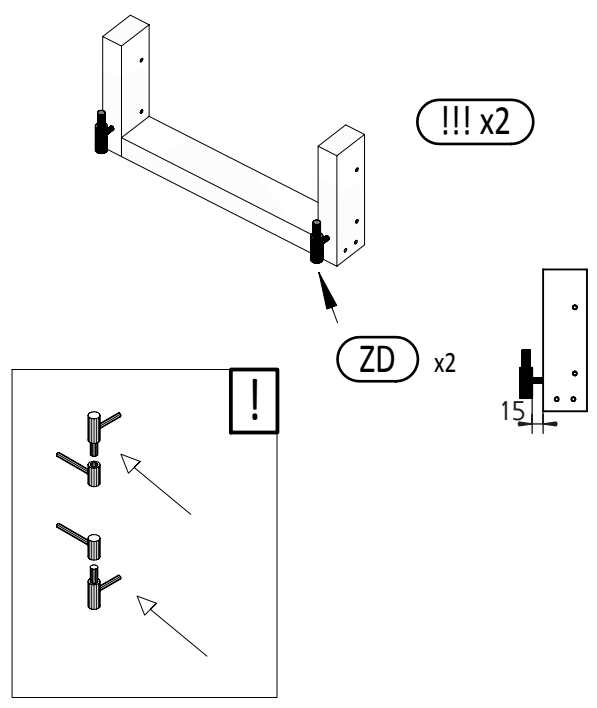
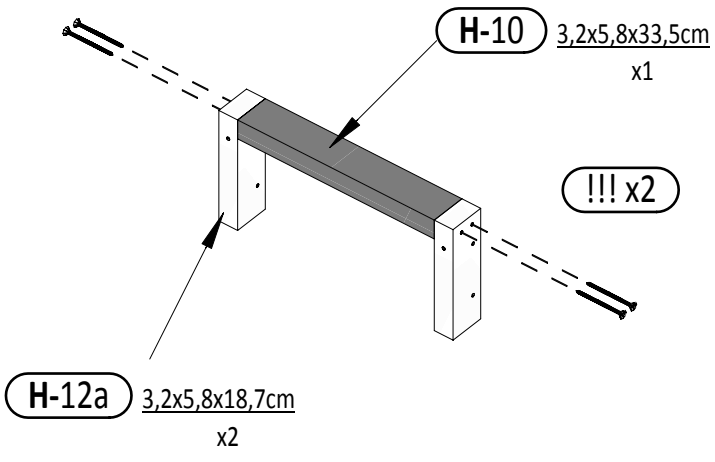
10



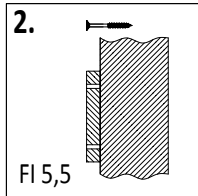
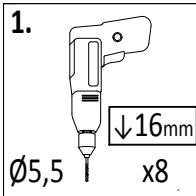
H-18 $\underline{1,6 \times 9,0 \times 36,5\text{cm}}$
x10

H-14 $\underline{1,6 \times 9,0 \times 113\text{cm}}$
x8

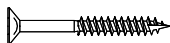
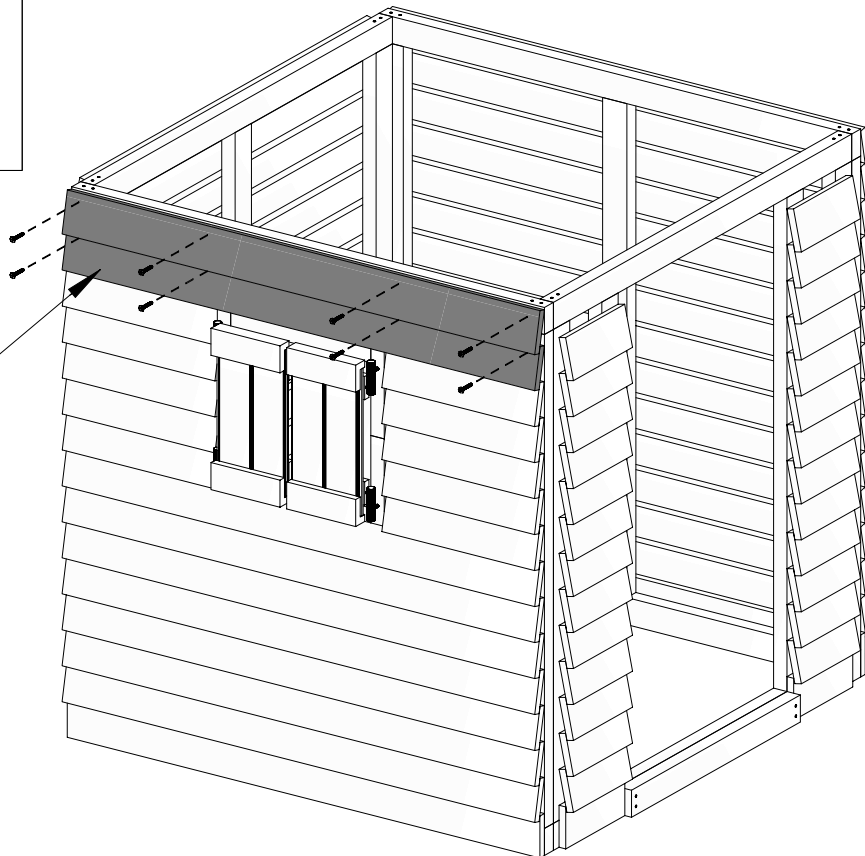




13

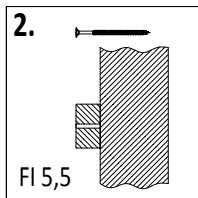
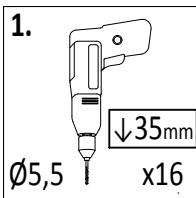


H-13 $1,6 \times 9,0 \times 113\text{cm}$
 x2

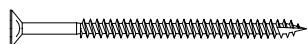
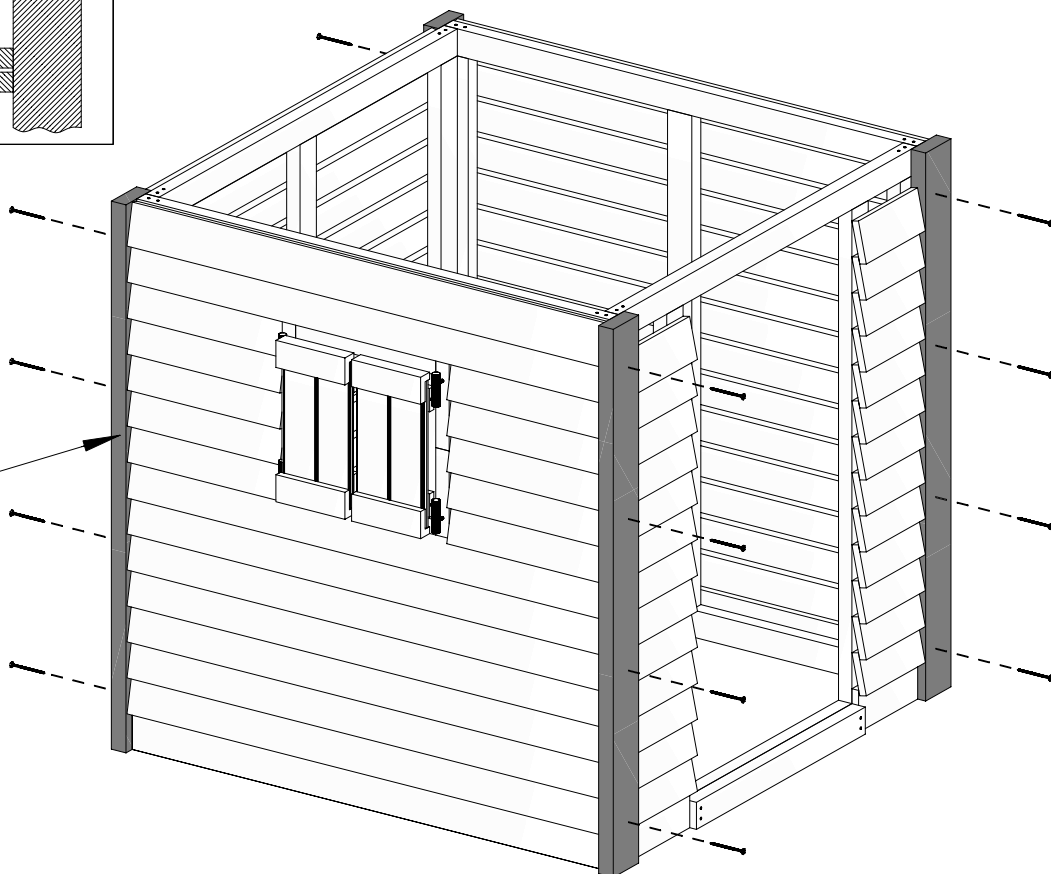


W40 x8

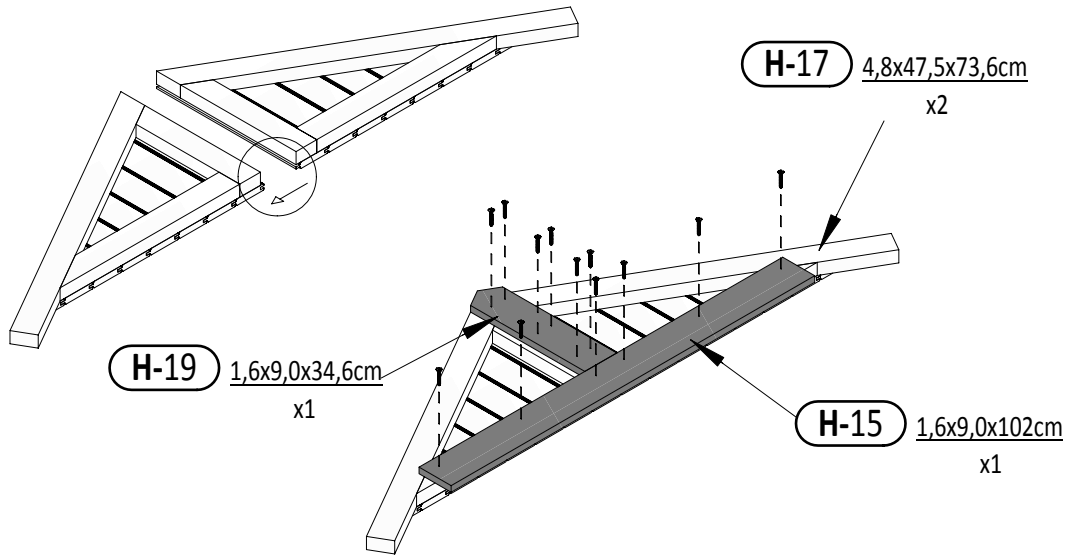
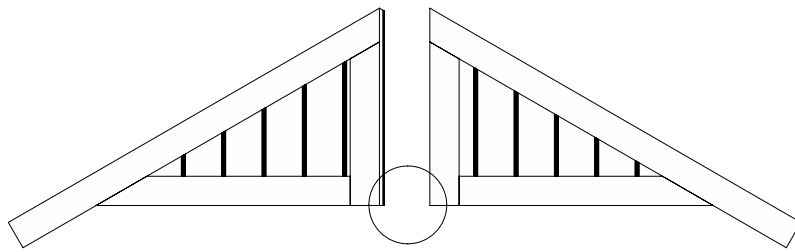
14



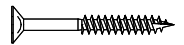
H-1 $3,5 \times 9,0 \times 117,5\text{cm}$
 x4



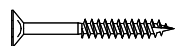
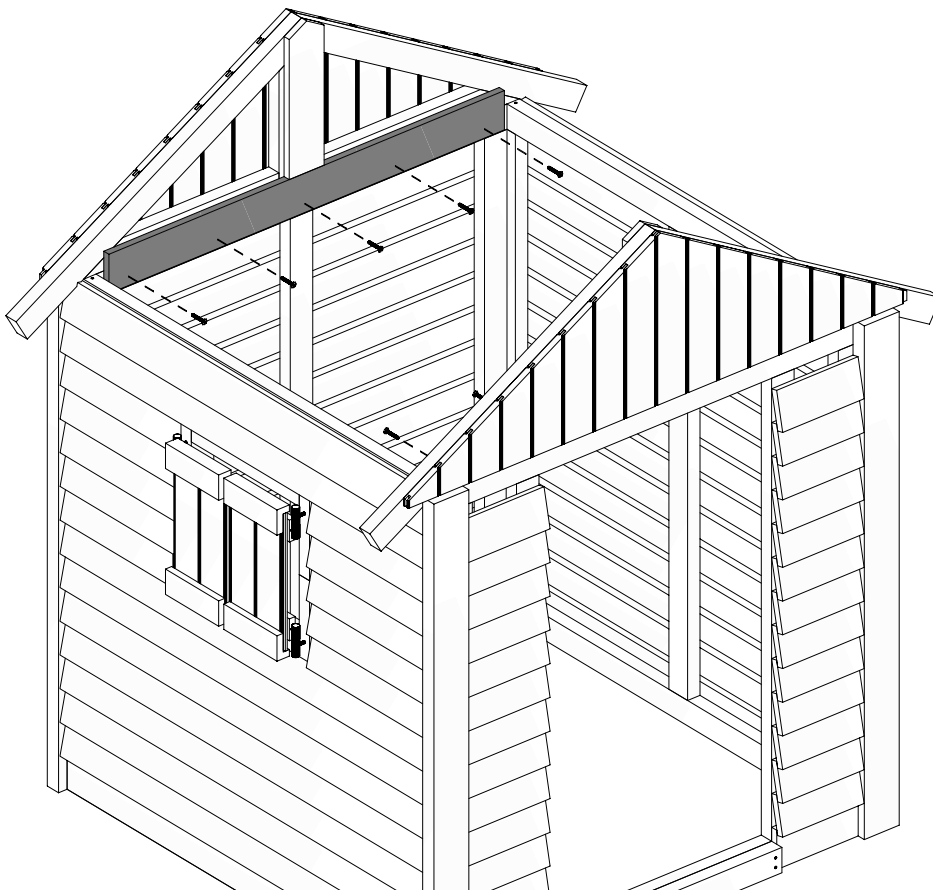
W80 x16



!!! x2

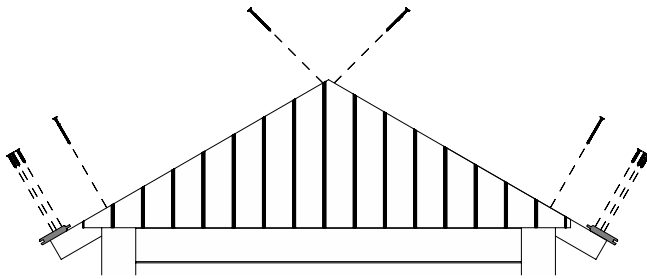


W40 x12*2 = 24



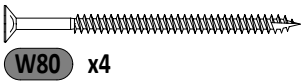
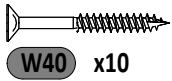
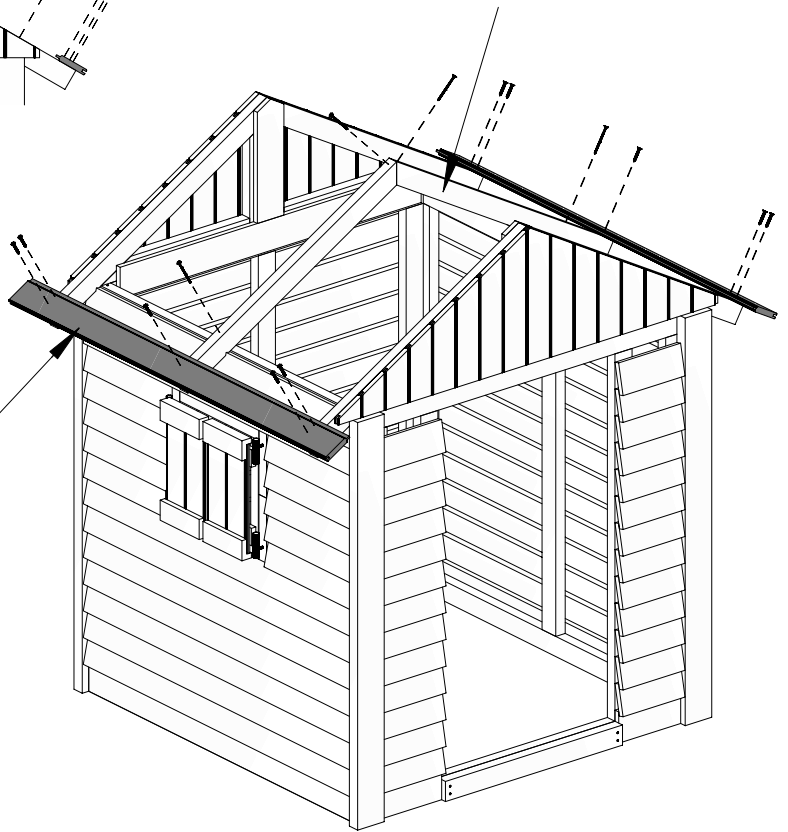
W40 x10

17

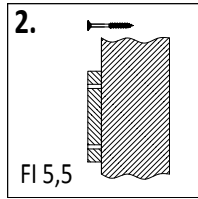
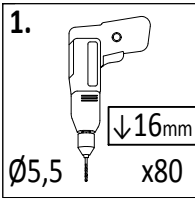


H-5 3,2x5,8x85cm
x2

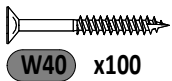
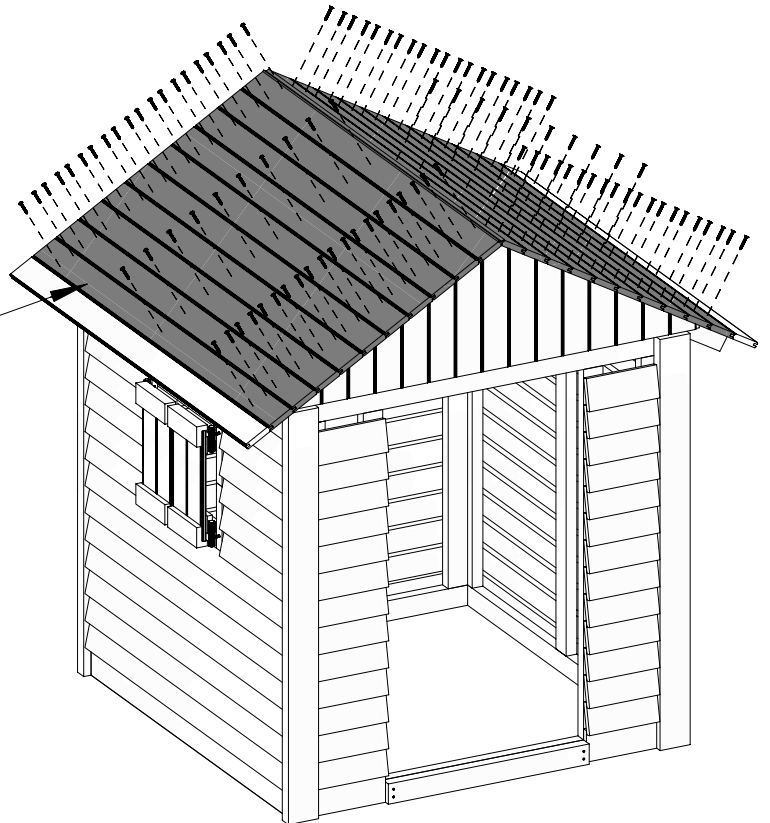
H-13 1,6x9,0x134cm
x2

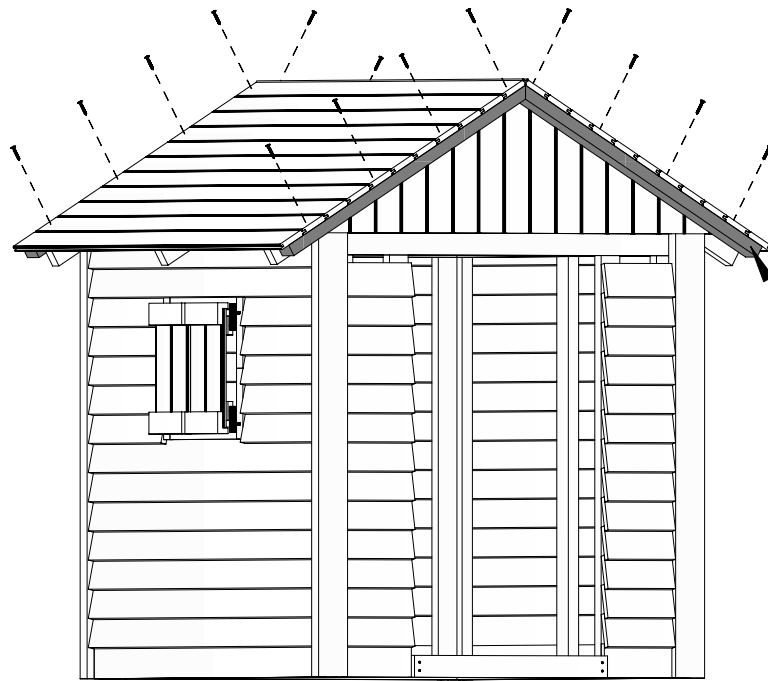
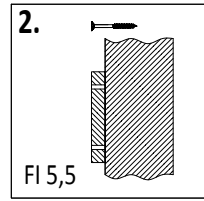
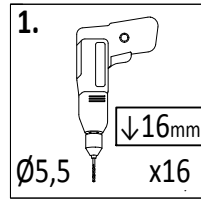
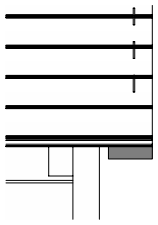


18

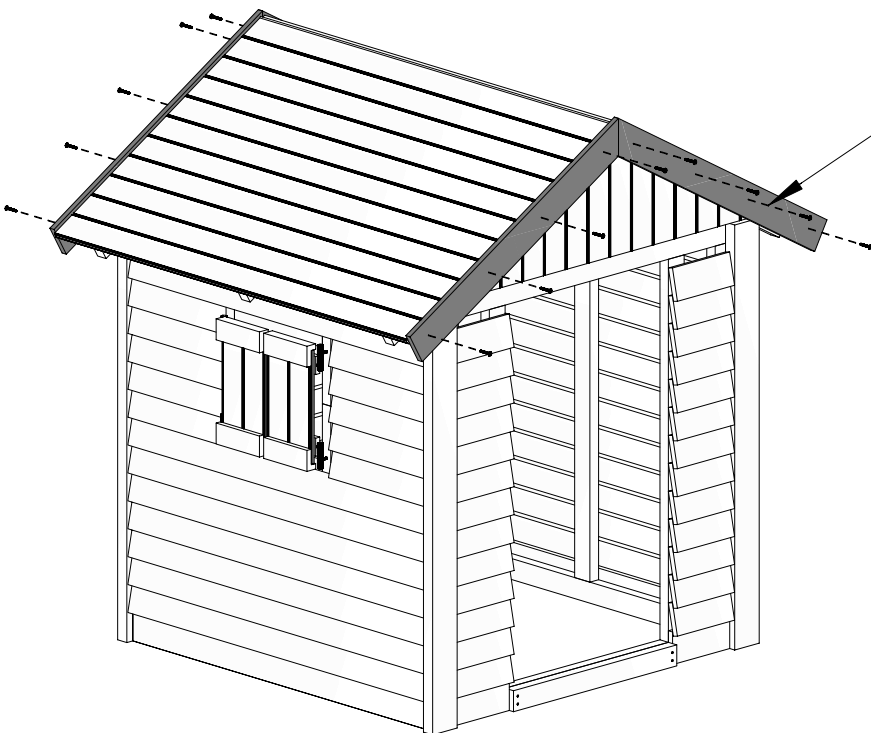
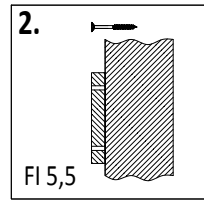
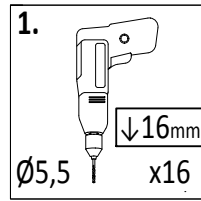
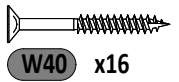


H-13 1,6x9,0x134cm
x20

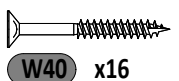


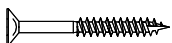
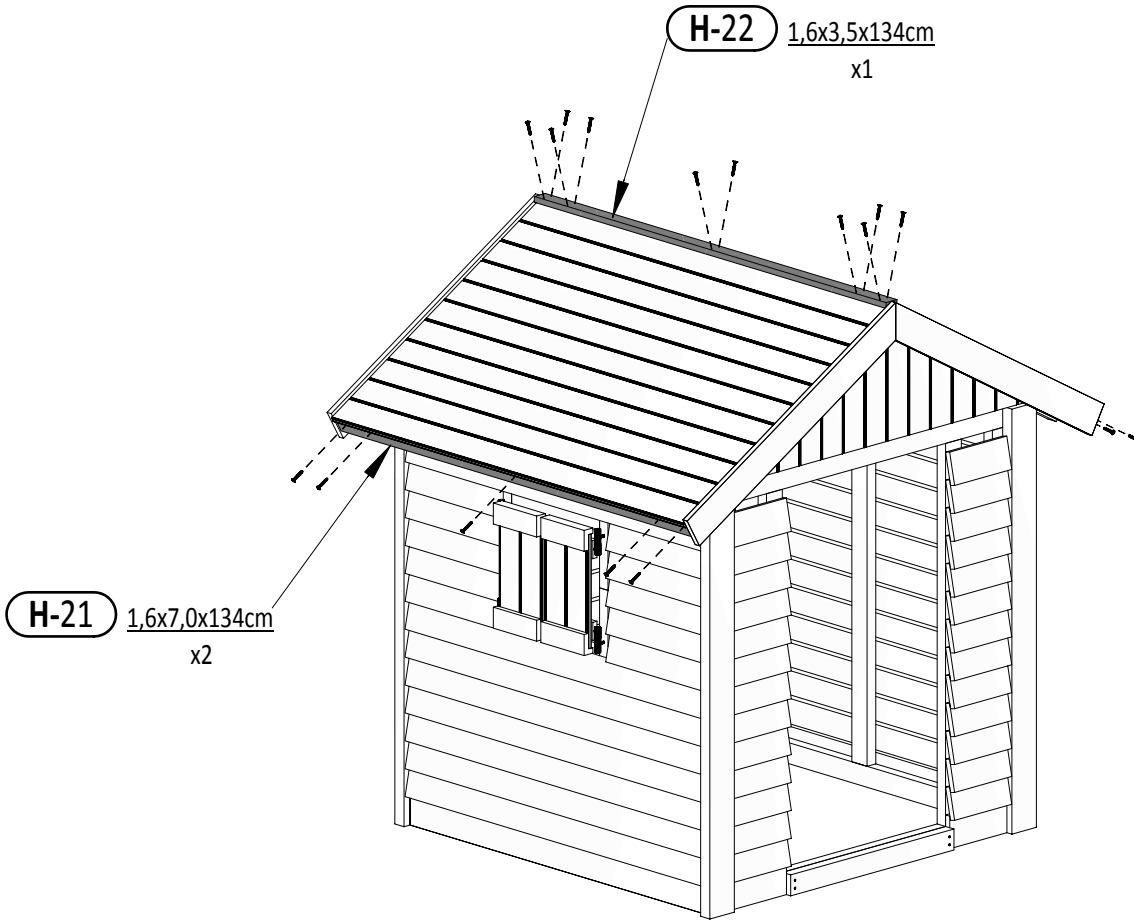
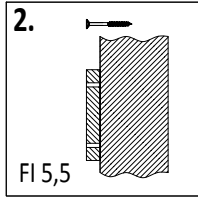
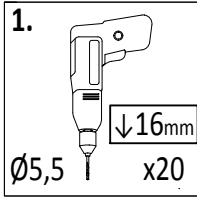


H-6 3,2x5,8x85cm
x4

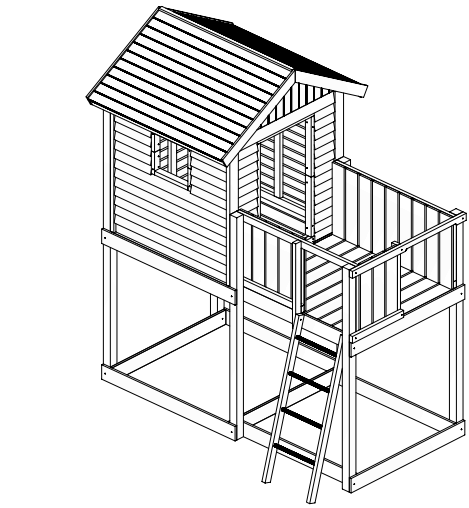
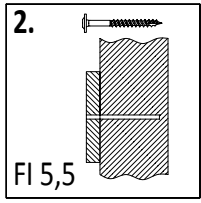
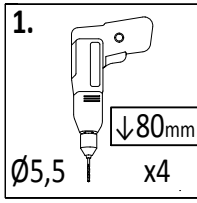


H-16 1,6x9,0x88,5cm
x4

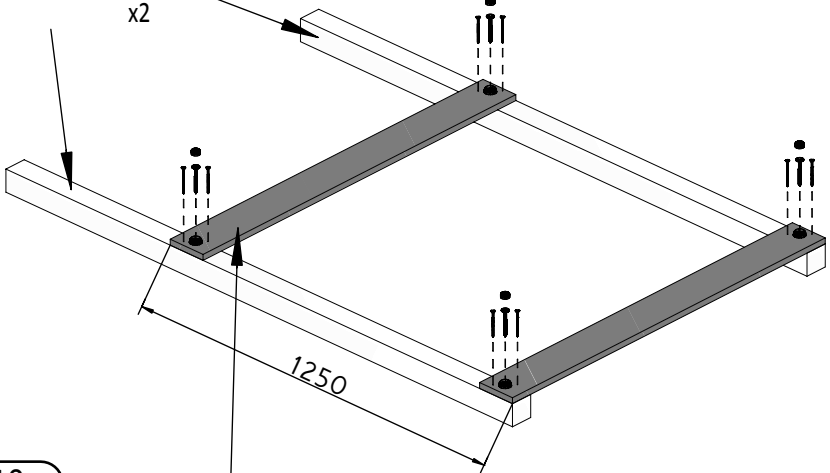




W40 x20

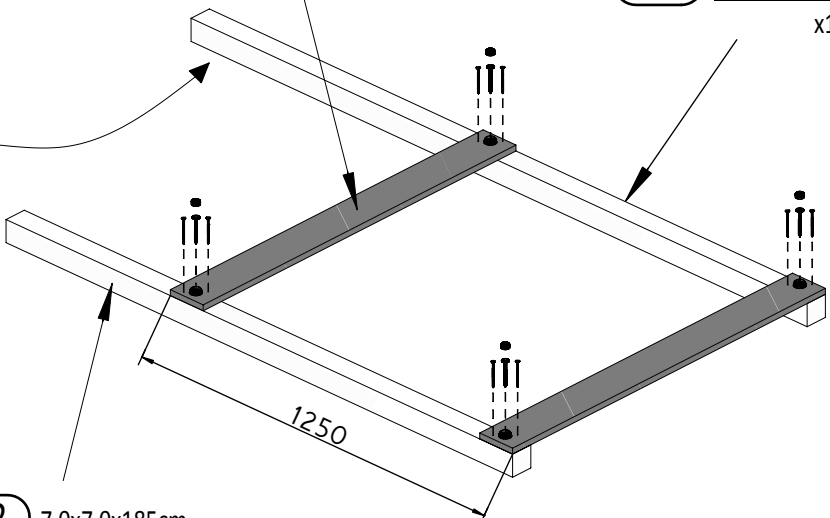


P-2 7,0x7,0x185cm x2

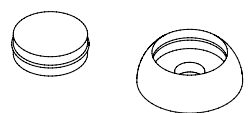
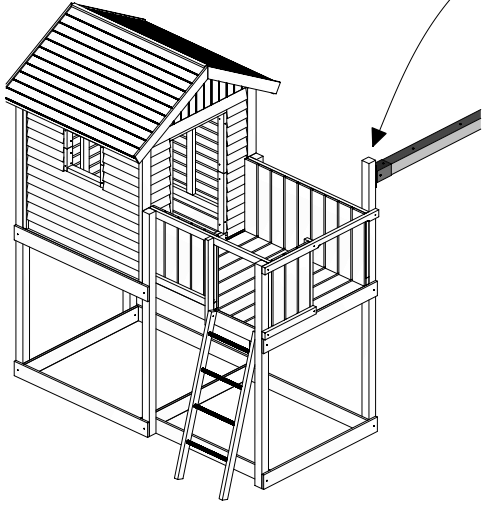


P-10a 1,8x12,0x120cm x2

P-1 7,0x7,0x225cm x1



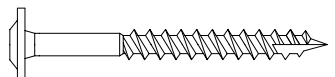
P-2 7,0x7,0x185cm x1



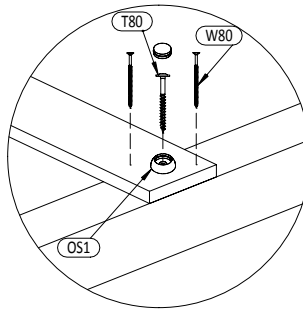
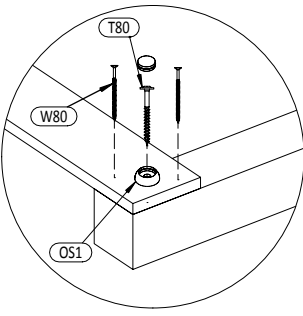
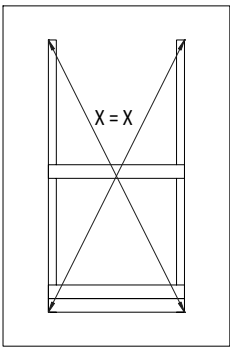
OS1 x4



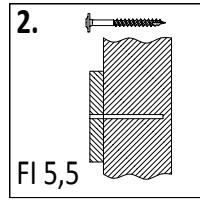
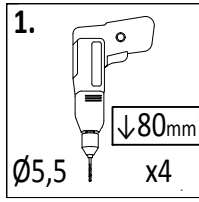
W80 x8



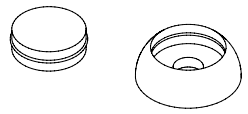
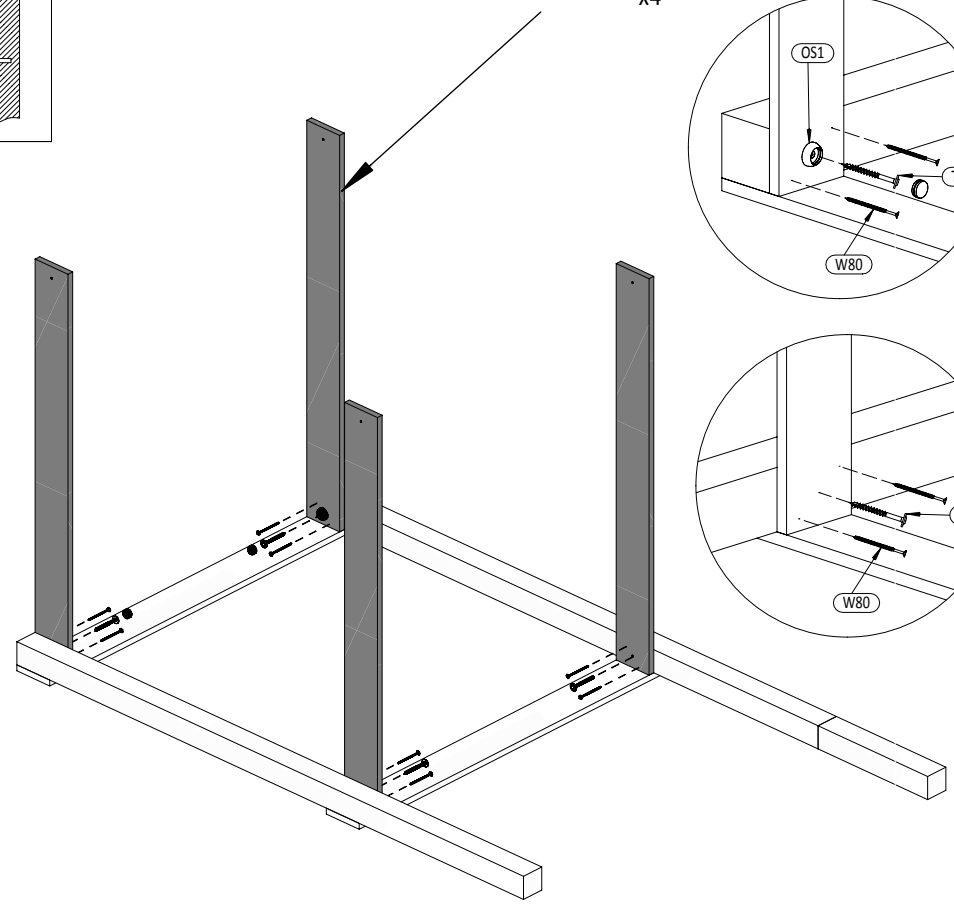
T80 x4



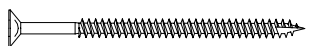
23



P-10a 1,8x12,0x120cm
x4



OS1 x2

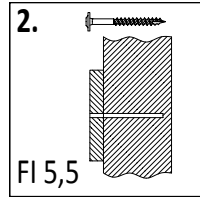
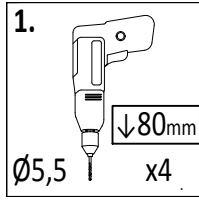


W80 x8

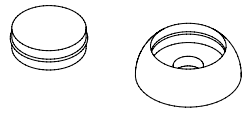
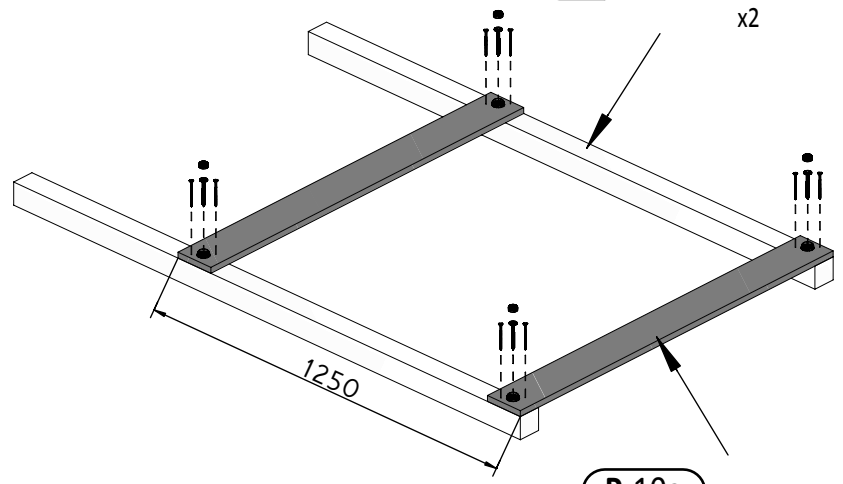


T80 x4

24



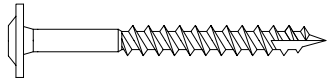
P-2 7,0x7,0x185cm
x2



OS1 x4

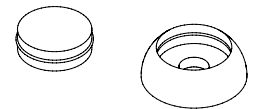
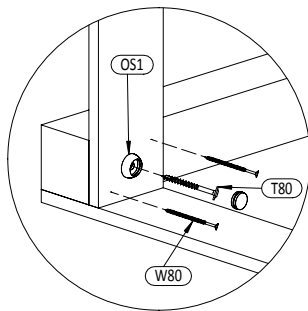
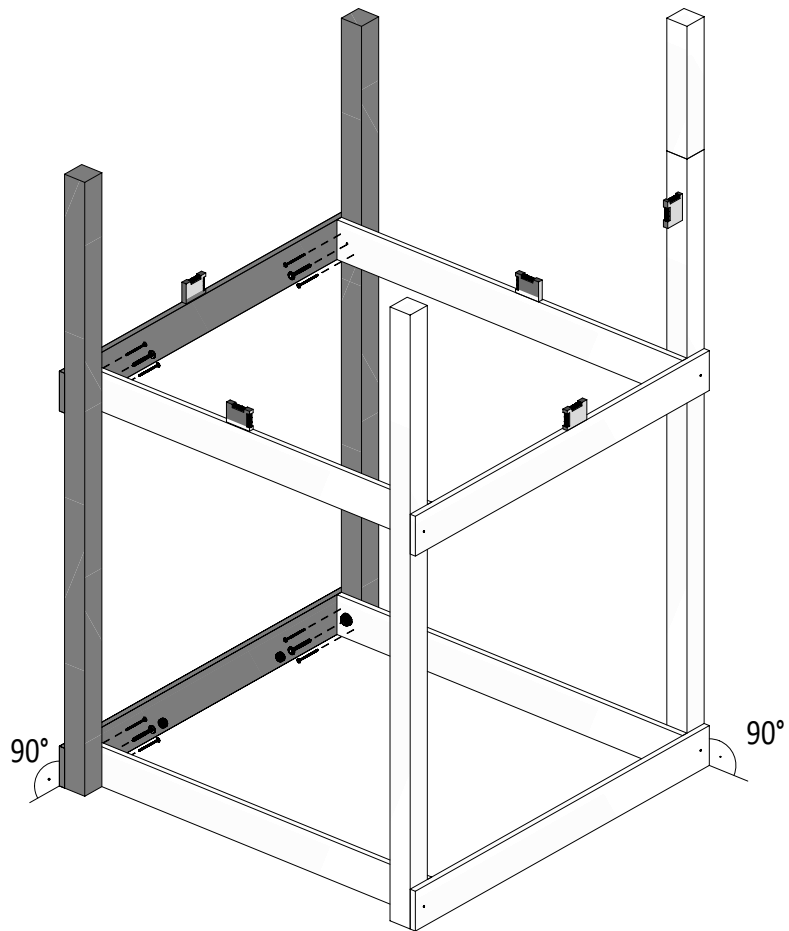
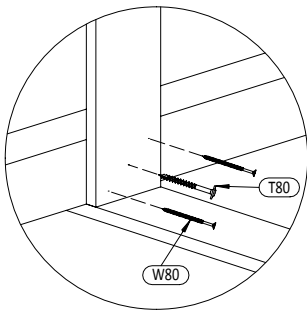
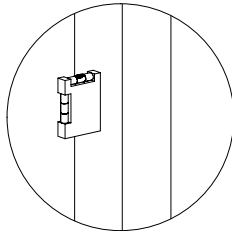
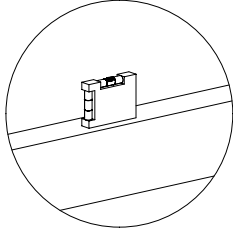
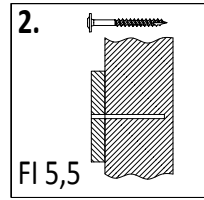
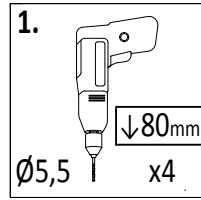


W80 x8



T80 x4

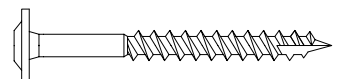
P-10a 1,8x12,0x120cm
x2



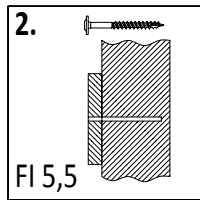
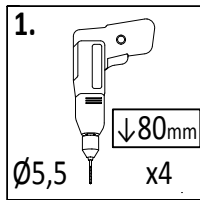
OS1 x2



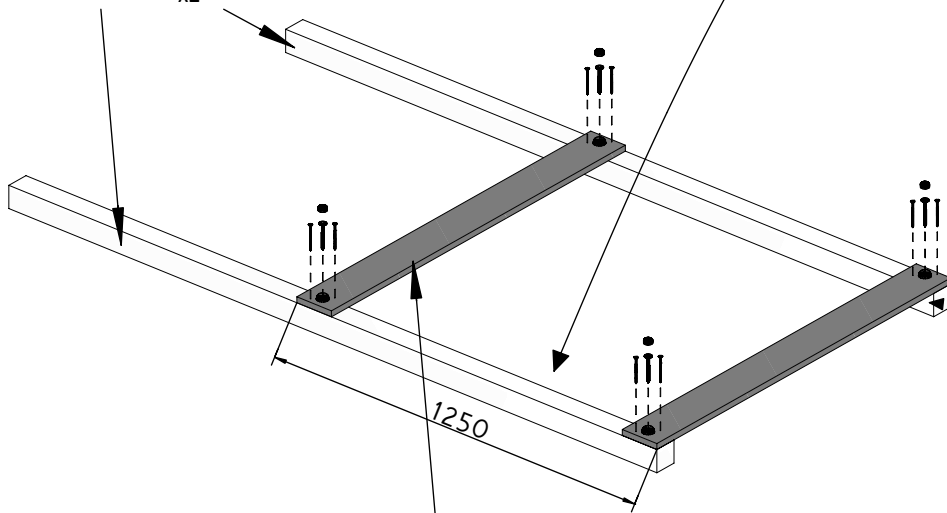
W80 x8



T80 x4



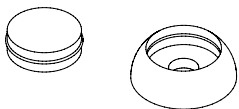
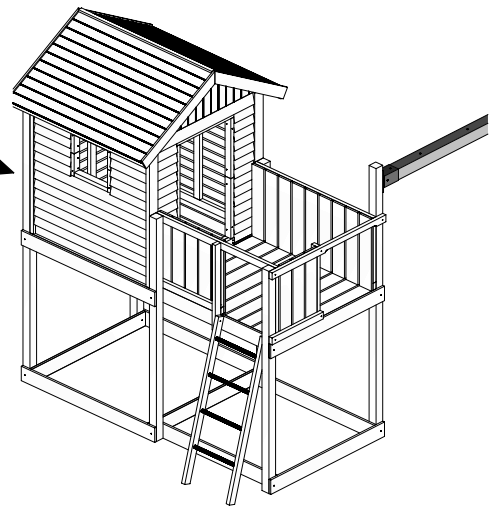
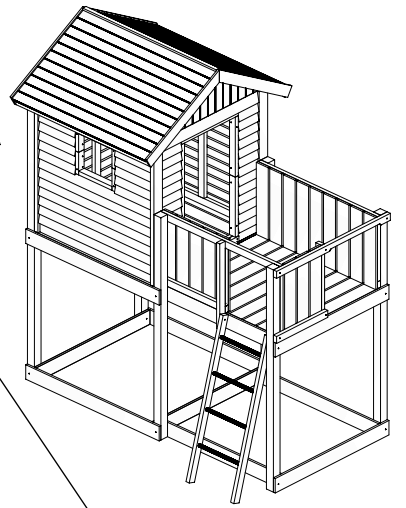
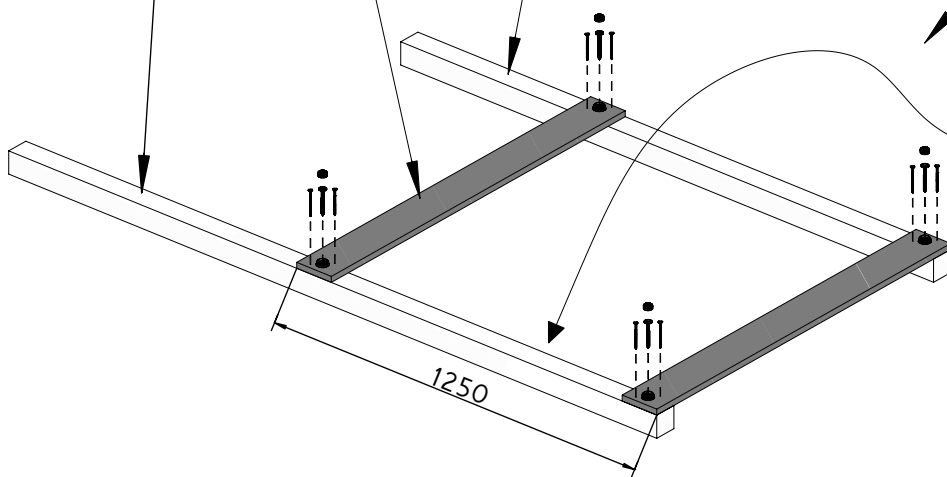
P-1 7,0x7,0x225cm x2



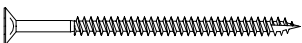
P-10a 1,8x12,0x120cm x2

P-2 7,0x7,0x185cm x1

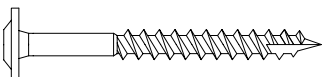
P-1 7,0x7,0x225cm x1



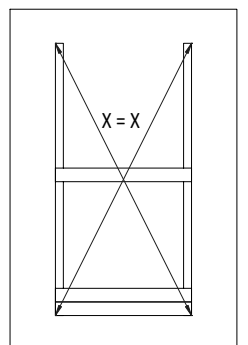
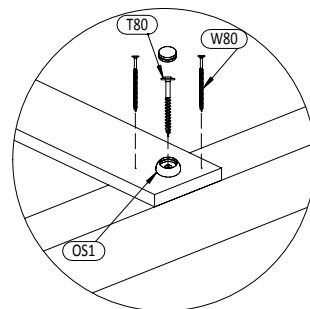
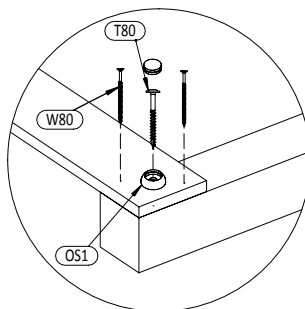
OS1 x4

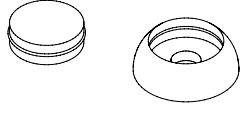
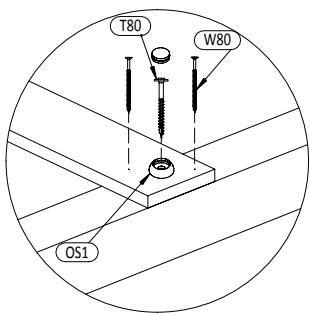
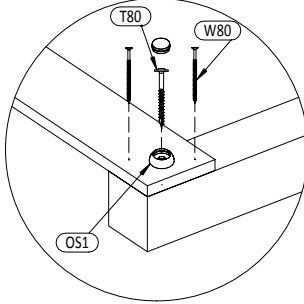
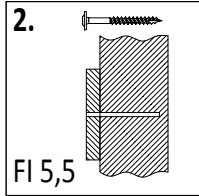
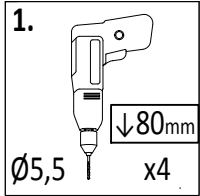
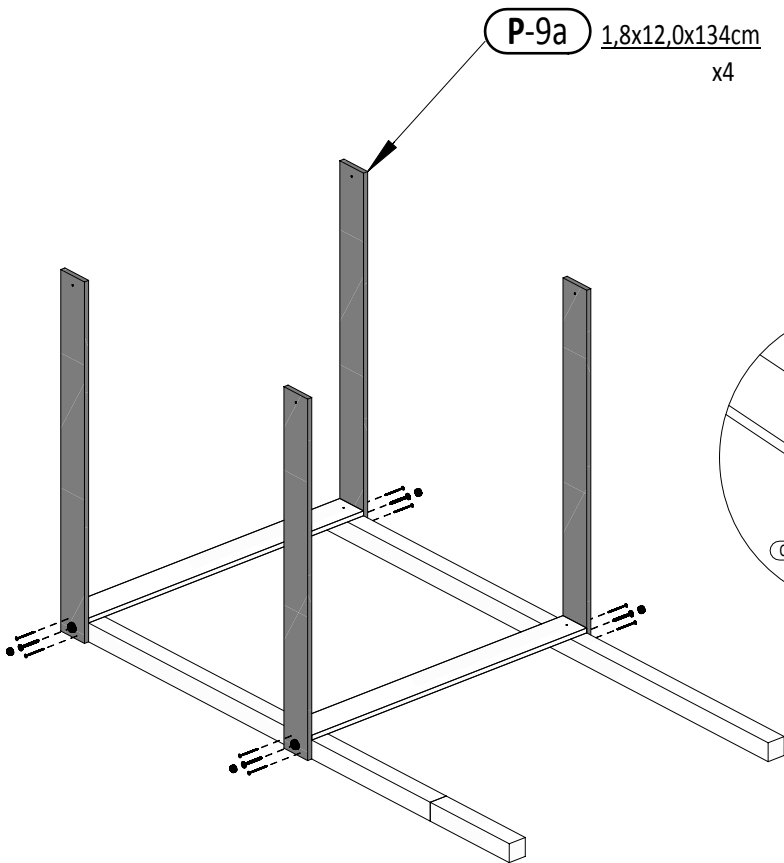


W80 x8

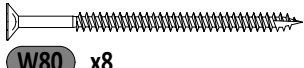


T80 x4

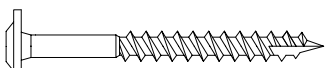




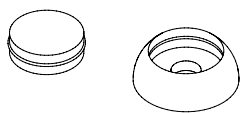
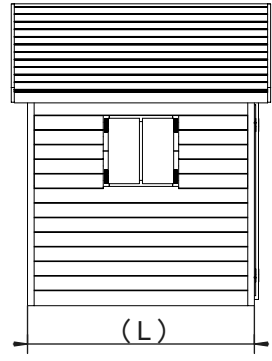
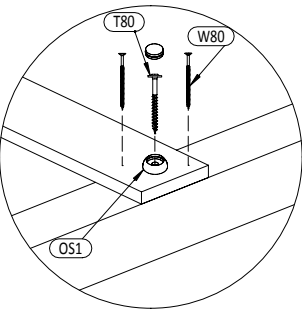
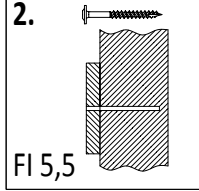
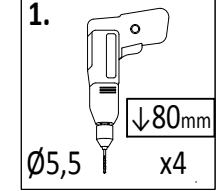
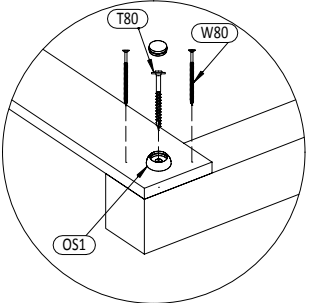
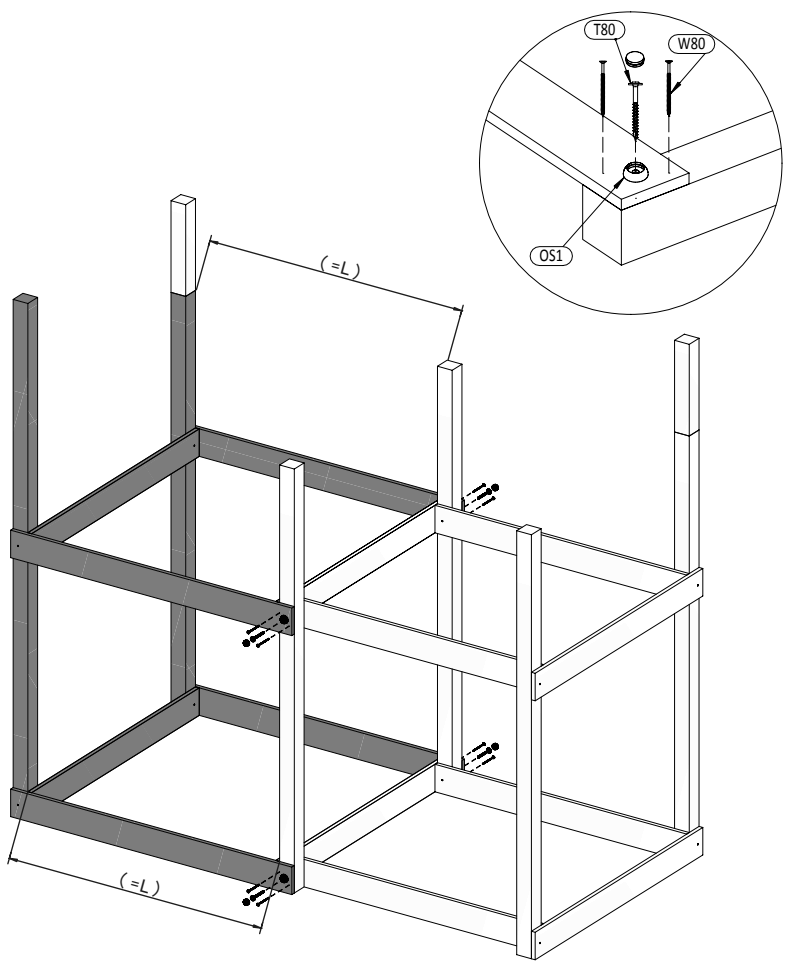
OS1 x4



W80 x8



T80 x4



OS1 x4

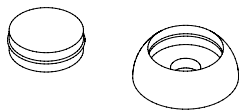
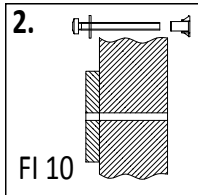
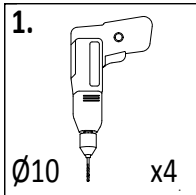


W80 x8

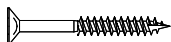


T80 x4

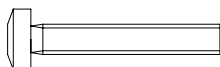
29



OS1 x4



W40 x4



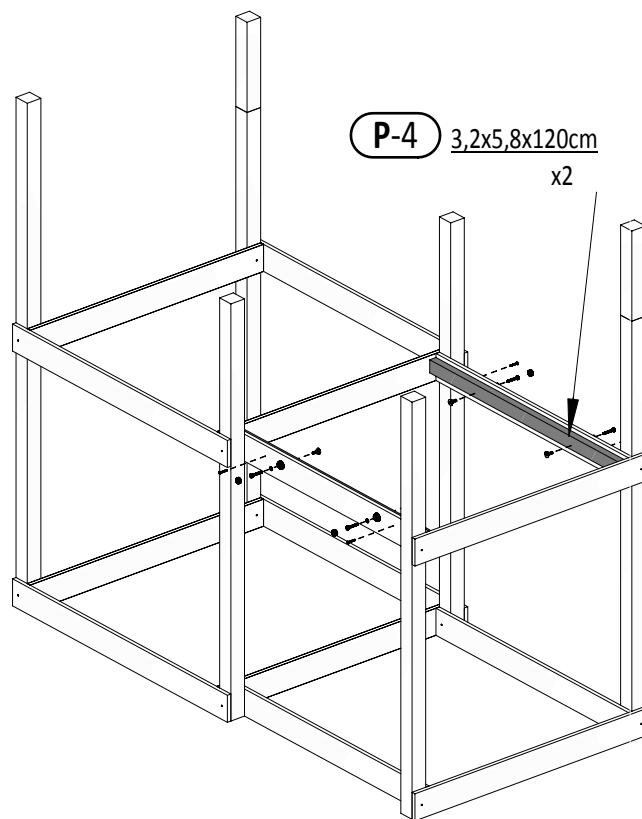
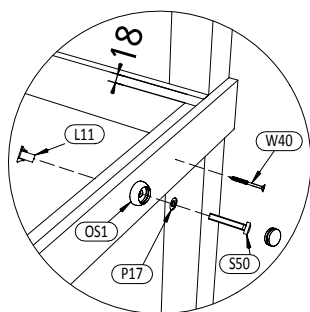
S50 x4



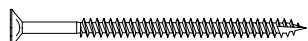
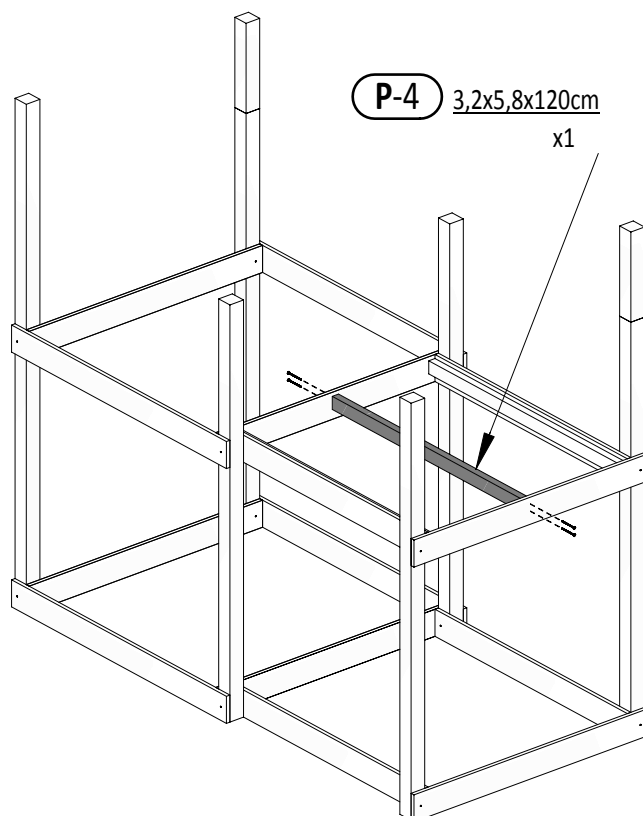
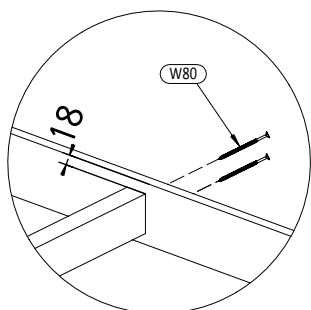
P17 x4



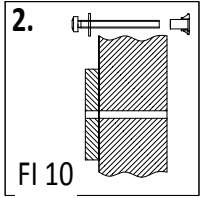
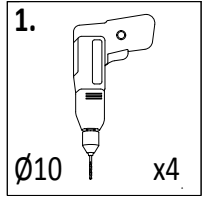
L11 x4



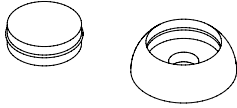
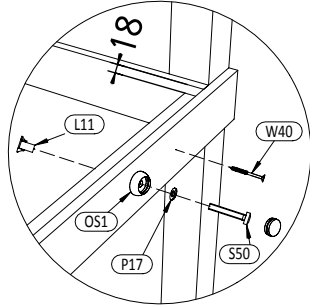
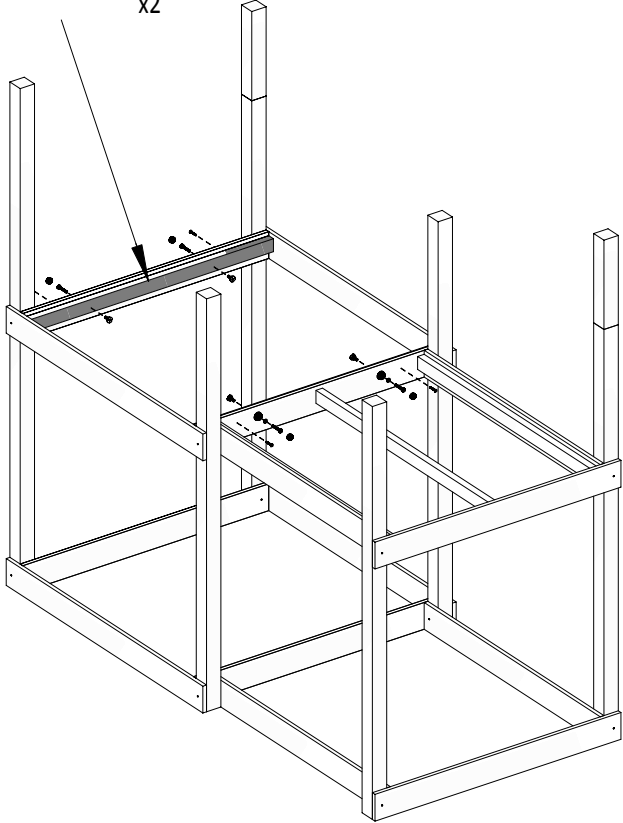
30



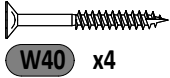
W80 x4



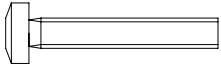
P-4 3,2x5,8x120cm
x2



OS1 x4



W40 x4



S50 x4

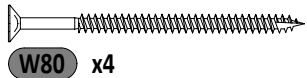
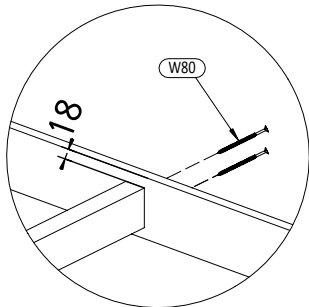
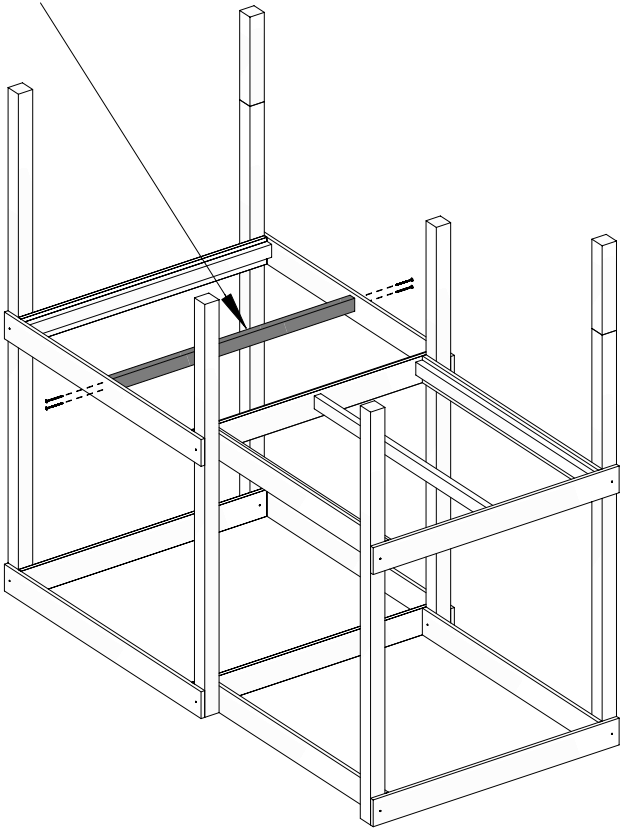


P17 x4



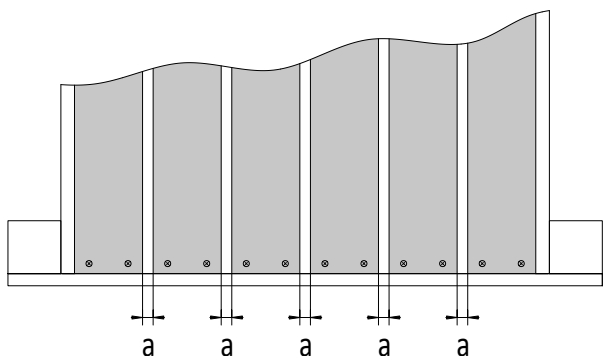
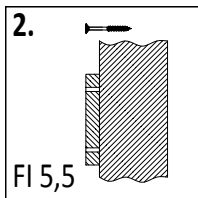
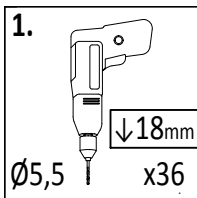
L11 x4

P-4 3,2x5,8x120cm
x1

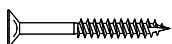
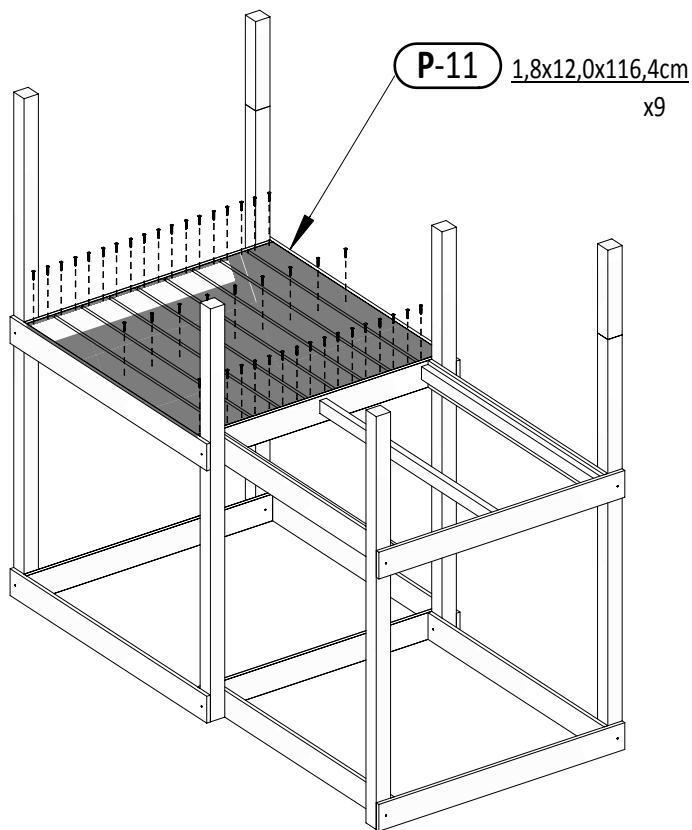


W80 x4

33

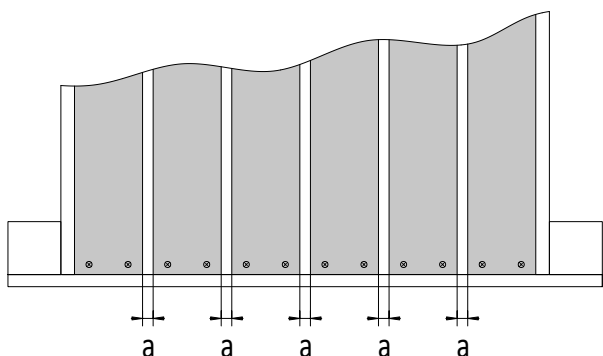
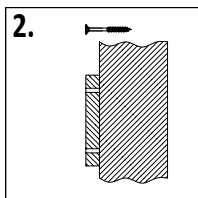
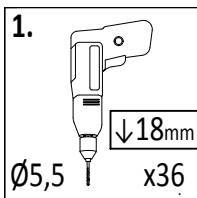


!!!min 13mm < **a** <!!!max 16mm

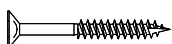
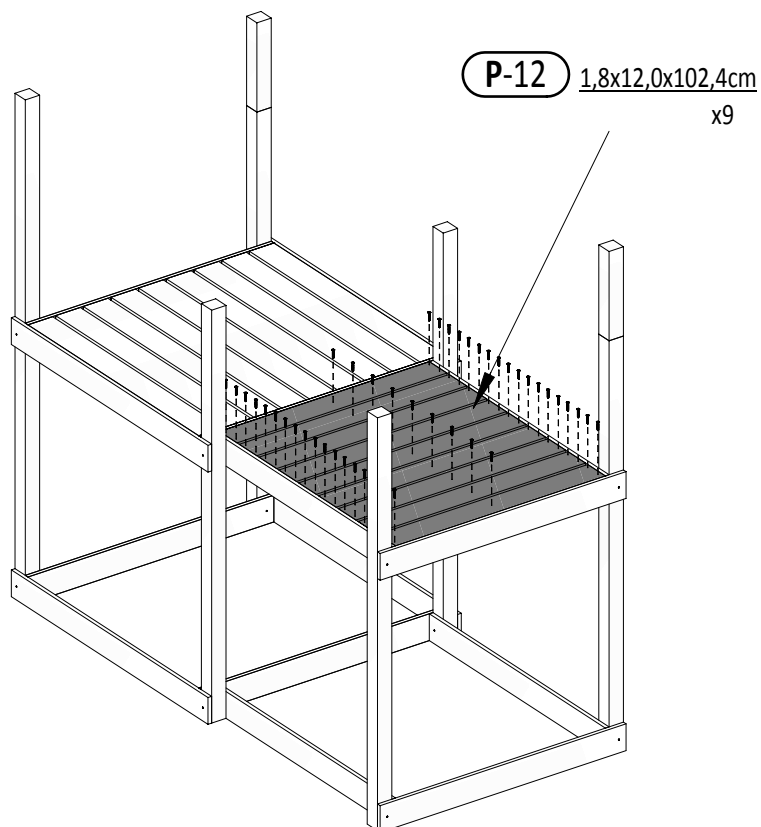


W40 x45

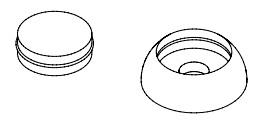
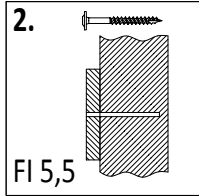
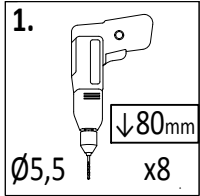
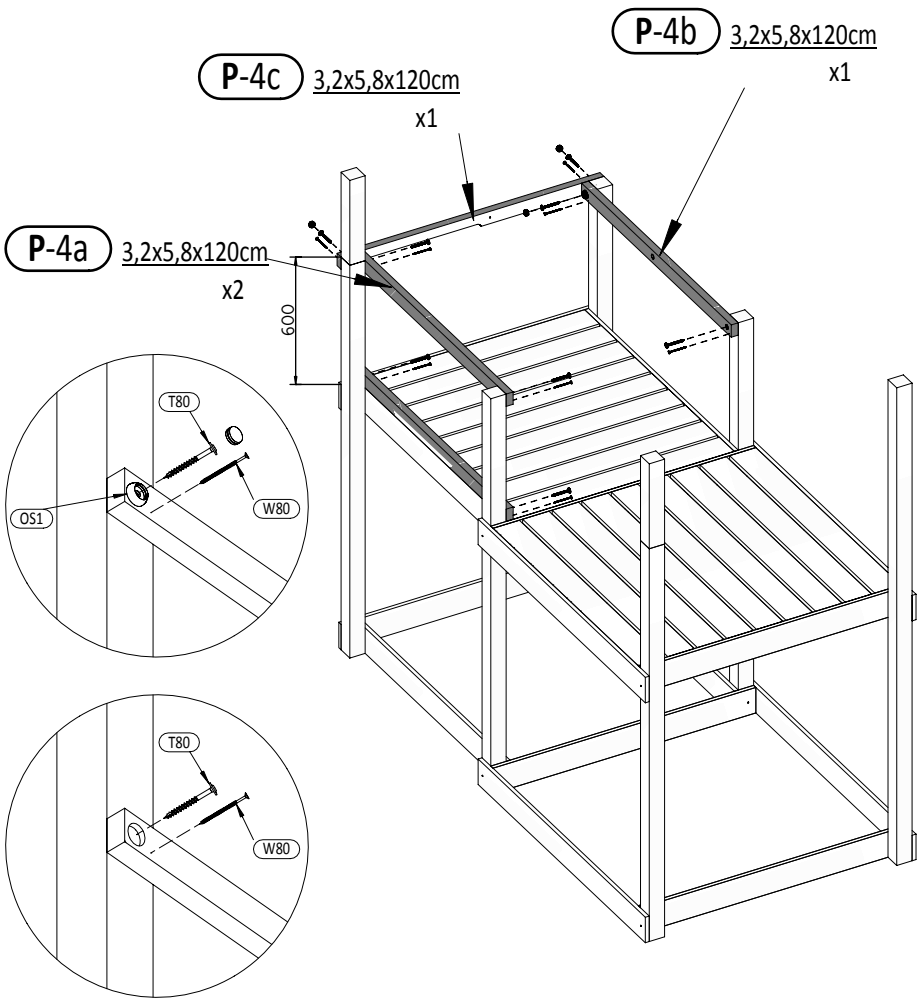
34



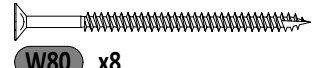
!!!min 13mm < **a** <!!!max 16mm



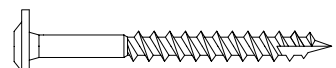
W40 x45



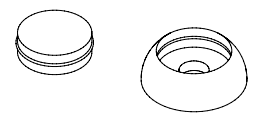
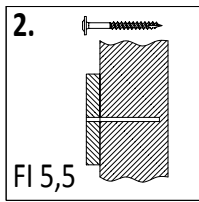
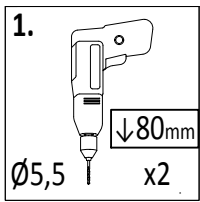
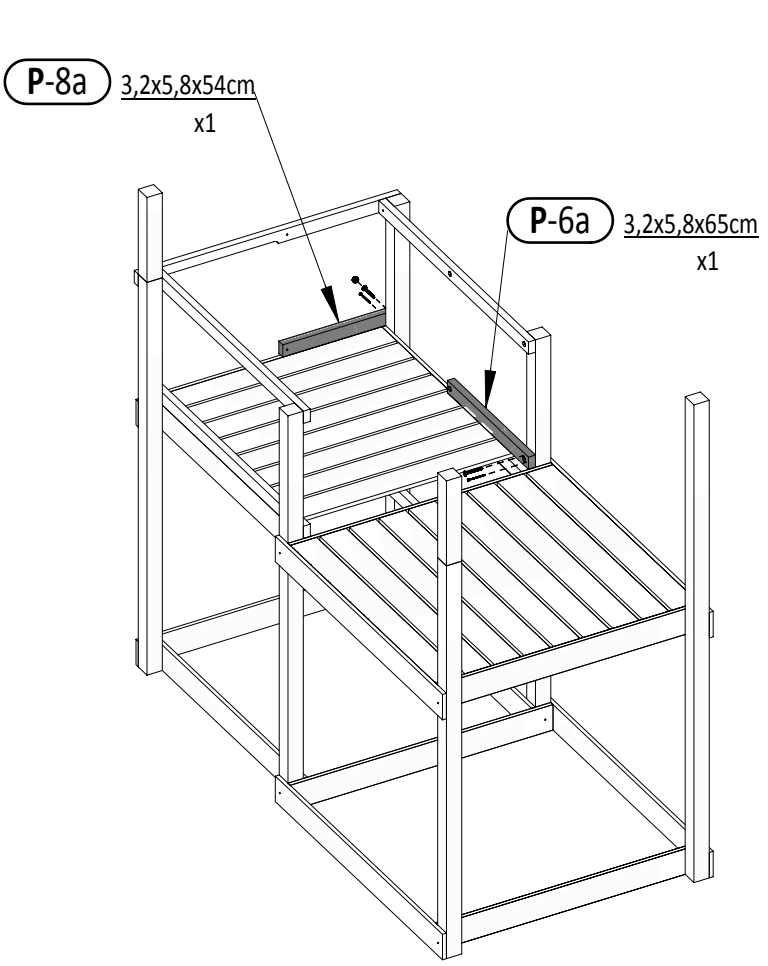
OS1 x3



W80 x8



T80 x8



OS1 x1

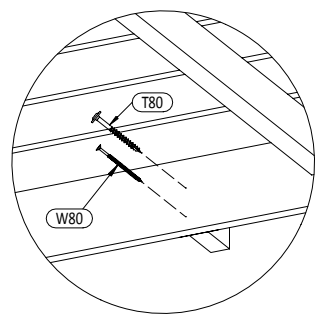
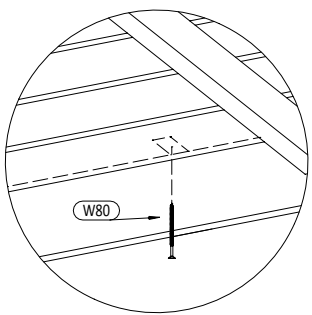
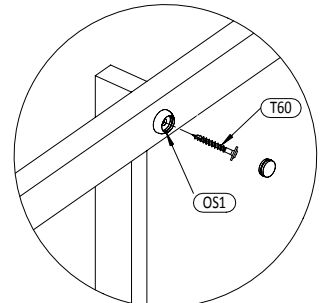
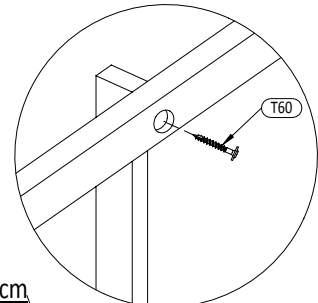
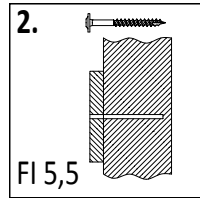
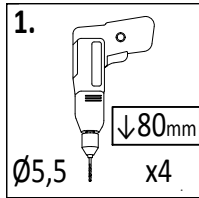


W80 x2



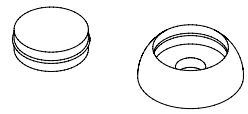
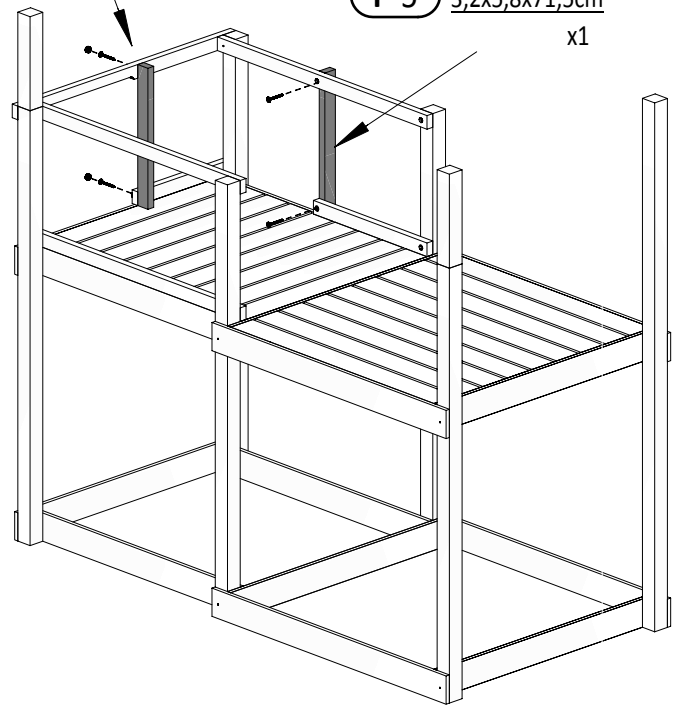
T80 x2

37

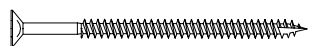


P-7 3,2x5,8x60cm x1

P-5 3,2x5,8x71,5cm x1



OS1 x2

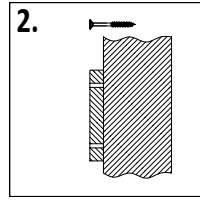
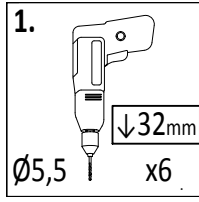


W80 x2



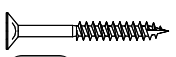
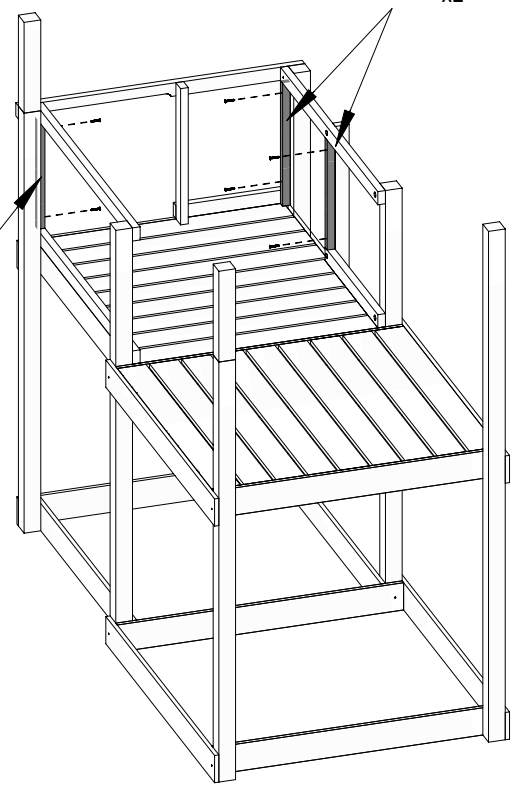
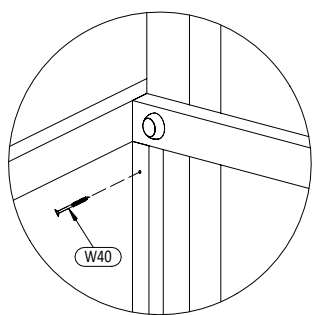
T80 x5

38

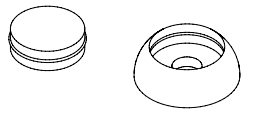
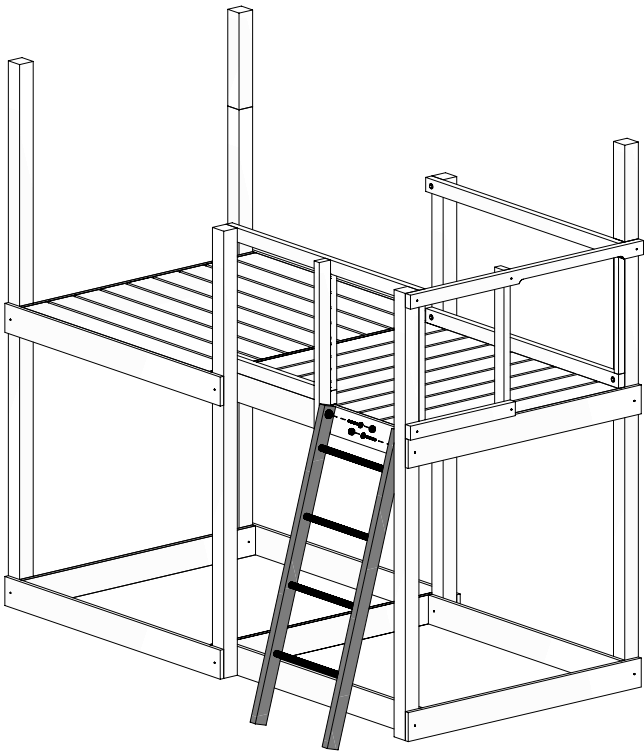
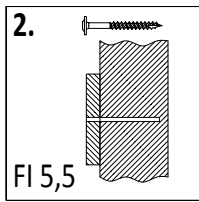
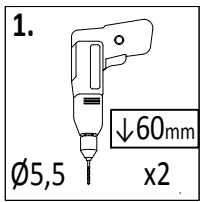
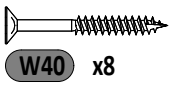
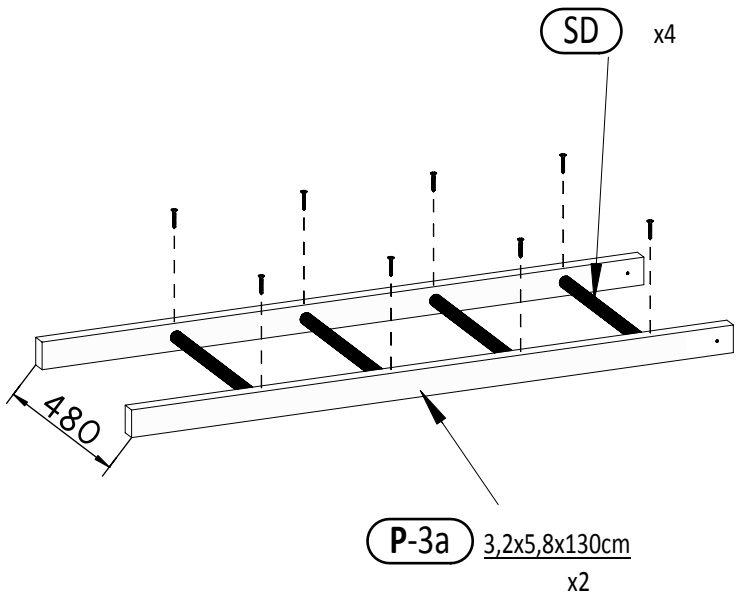
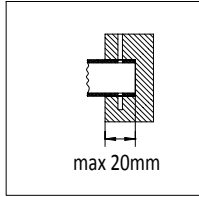
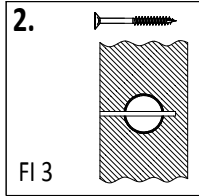
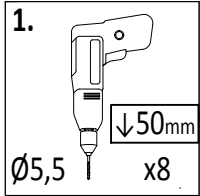


P-15 3,2x2,7x48,4cm x2

P-14 3,2x2,7x54,2cm x1



W40 x6

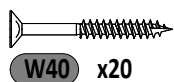
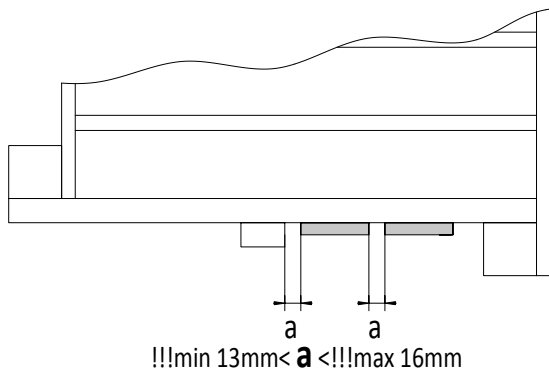
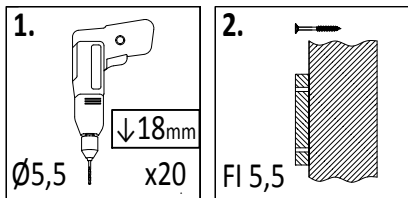


OS1 x2

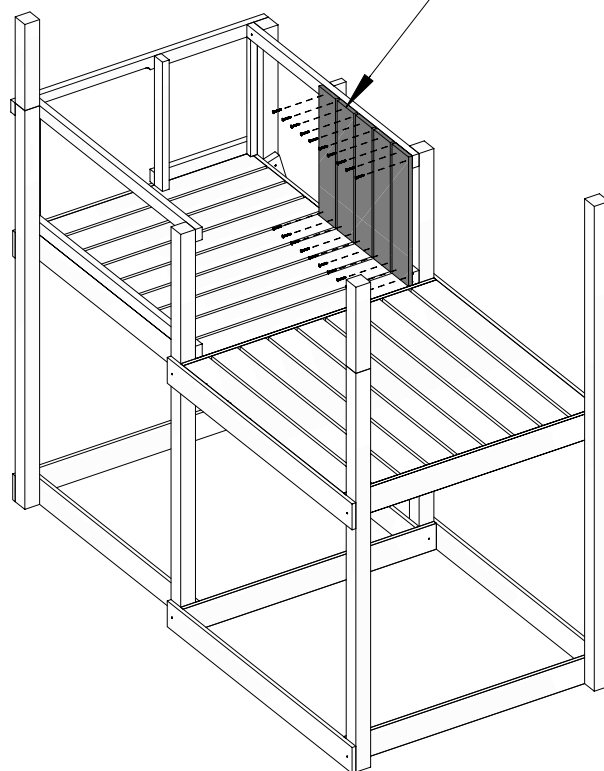


T60 x2

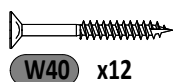
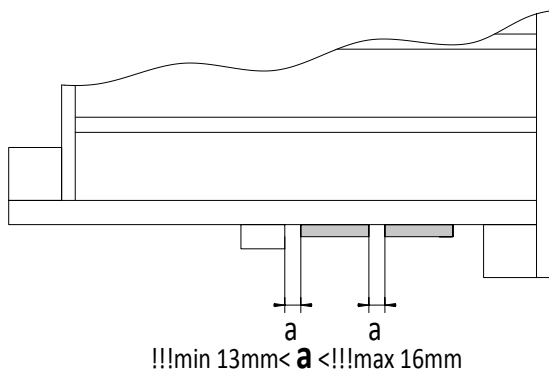
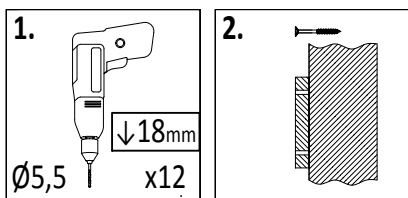
41



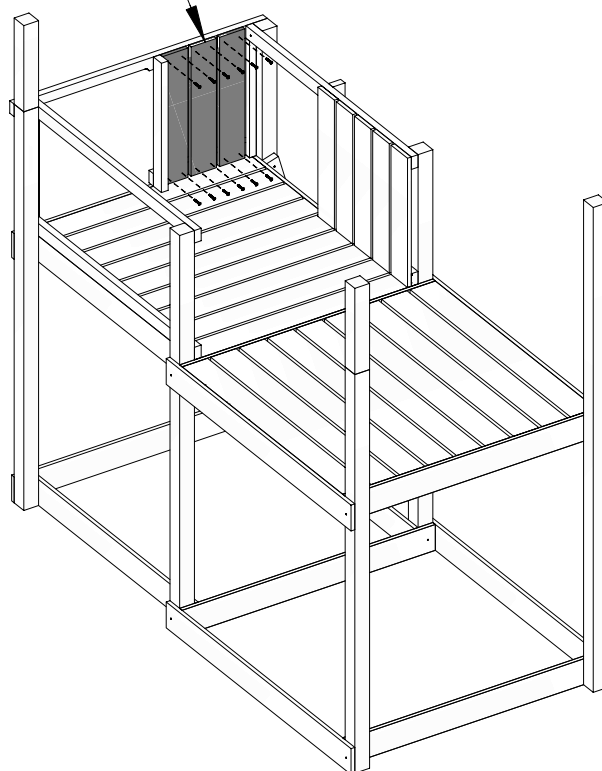
P-13 1,8x12x60cm
x5

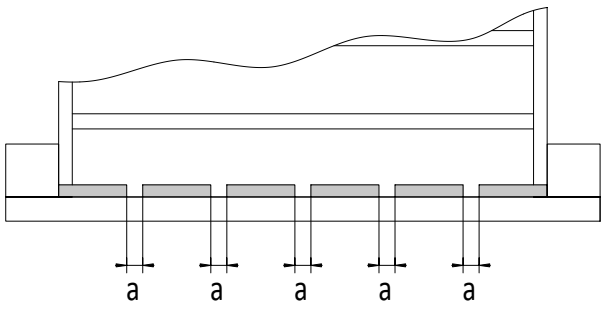
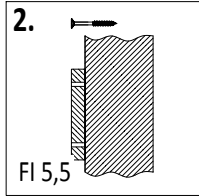
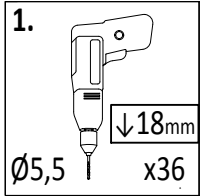
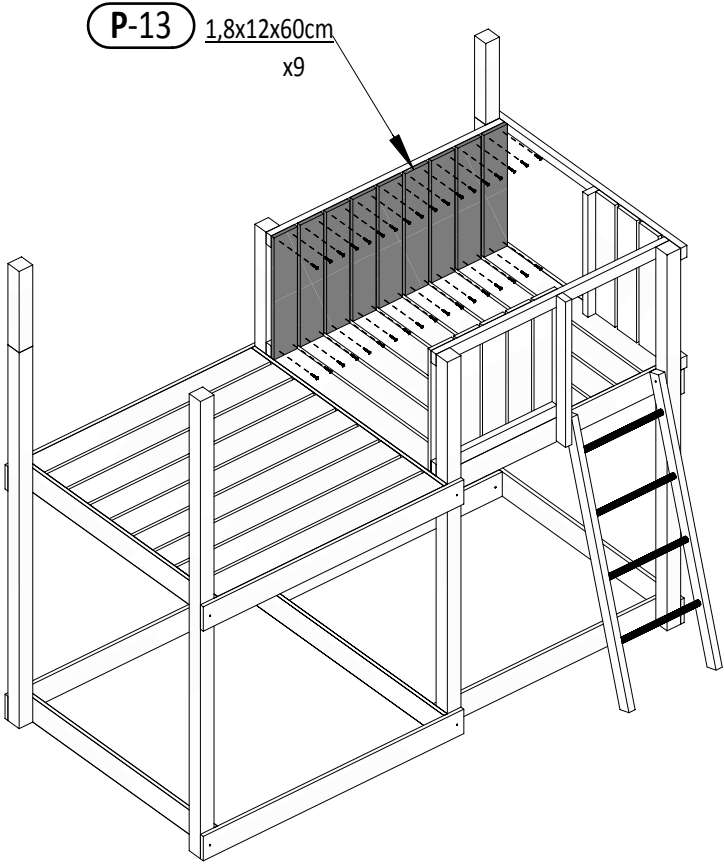


42

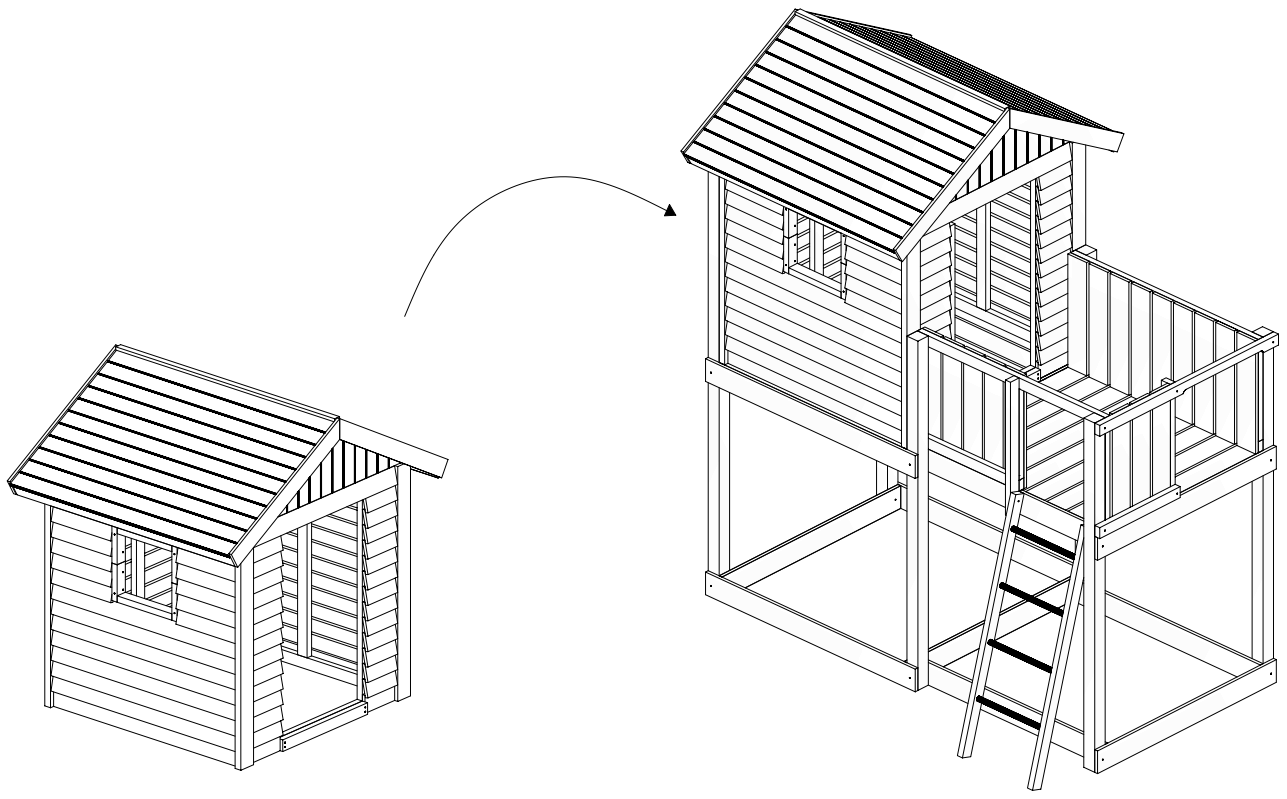
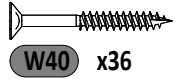


P-13 1,8x12x60cm
x3

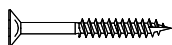
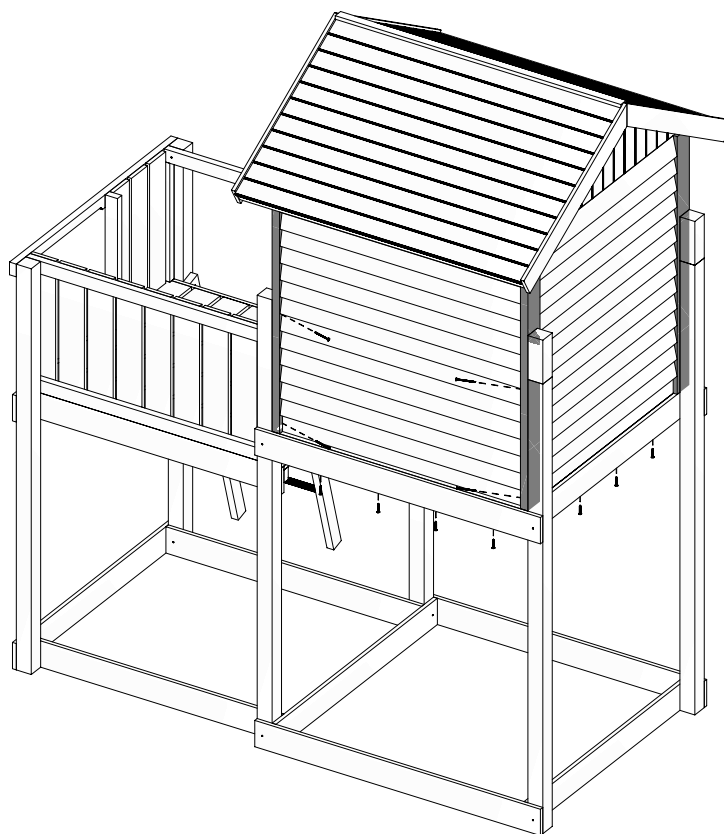
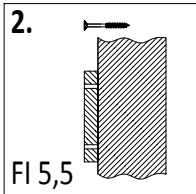
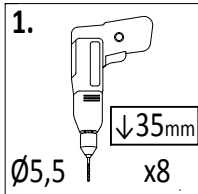




!!!min 13mm < a <!!!max 16mm



45

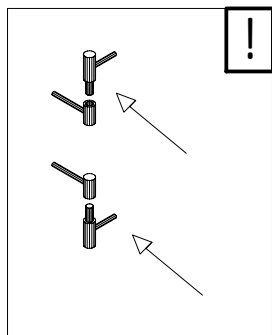


W40 x16



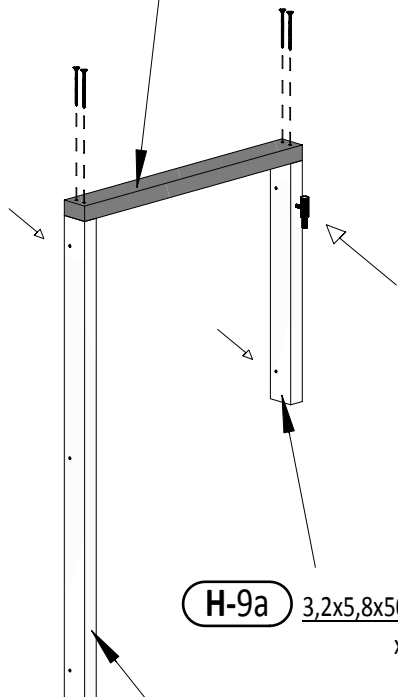
W80 x8

46



H-7a 3,2x5,8x60cm x1

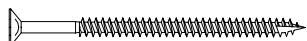
H-23a 3,0x55x105cm x1



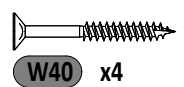
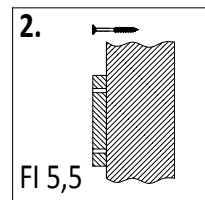
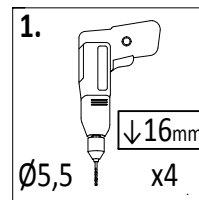
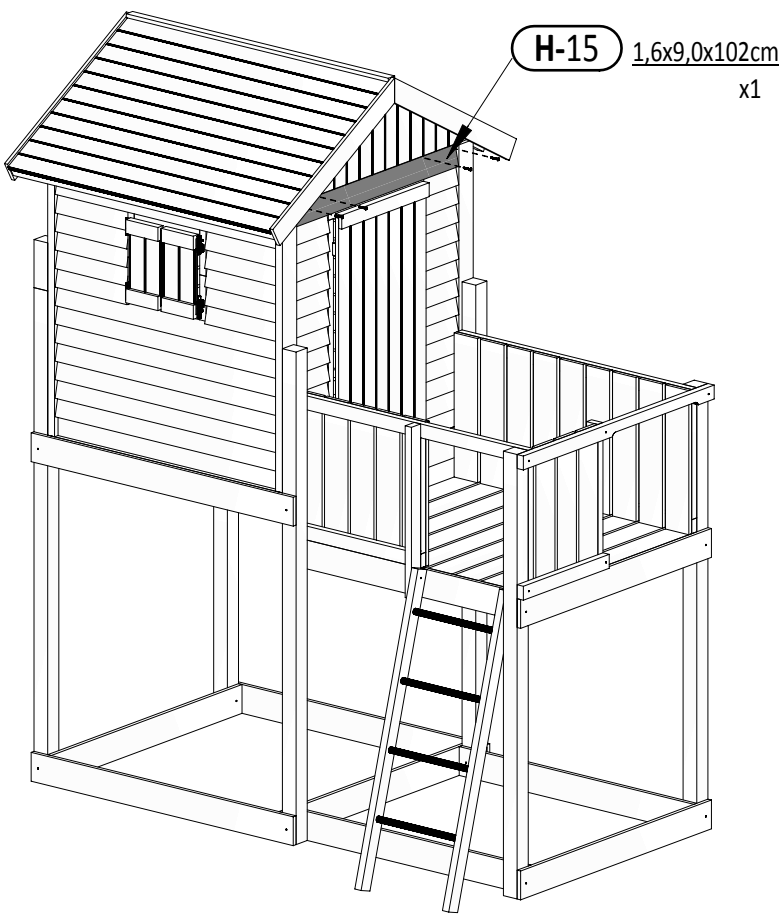
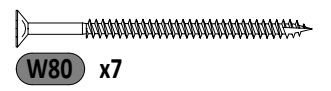
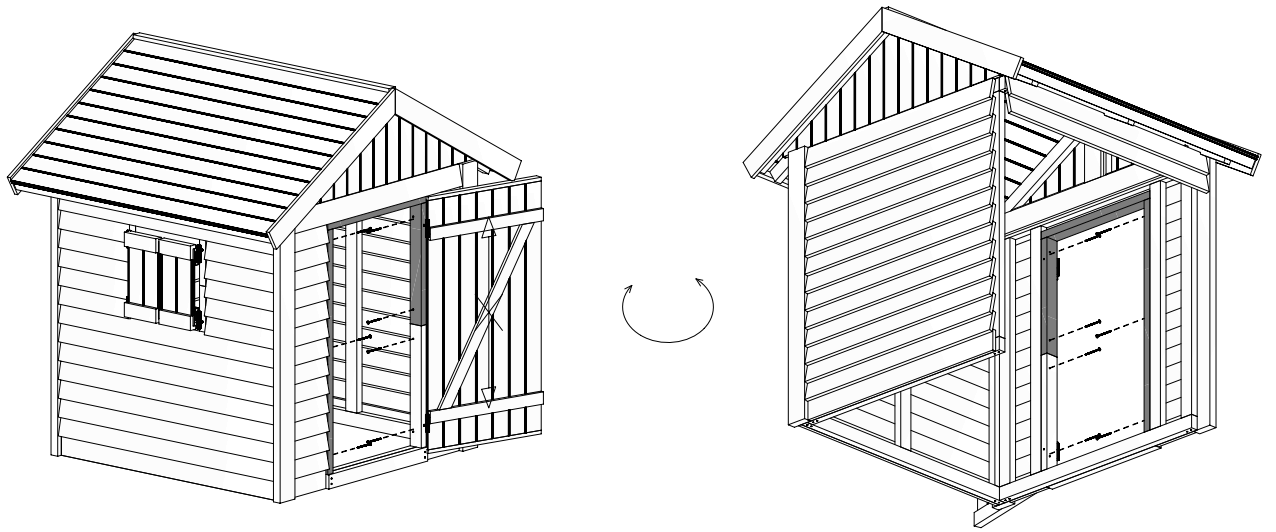
H-9a 3,2x5,8x500cm x2

H-4a 3,2x5,8x100cm x1

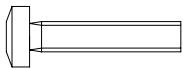
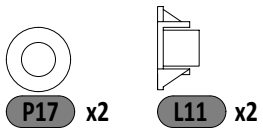
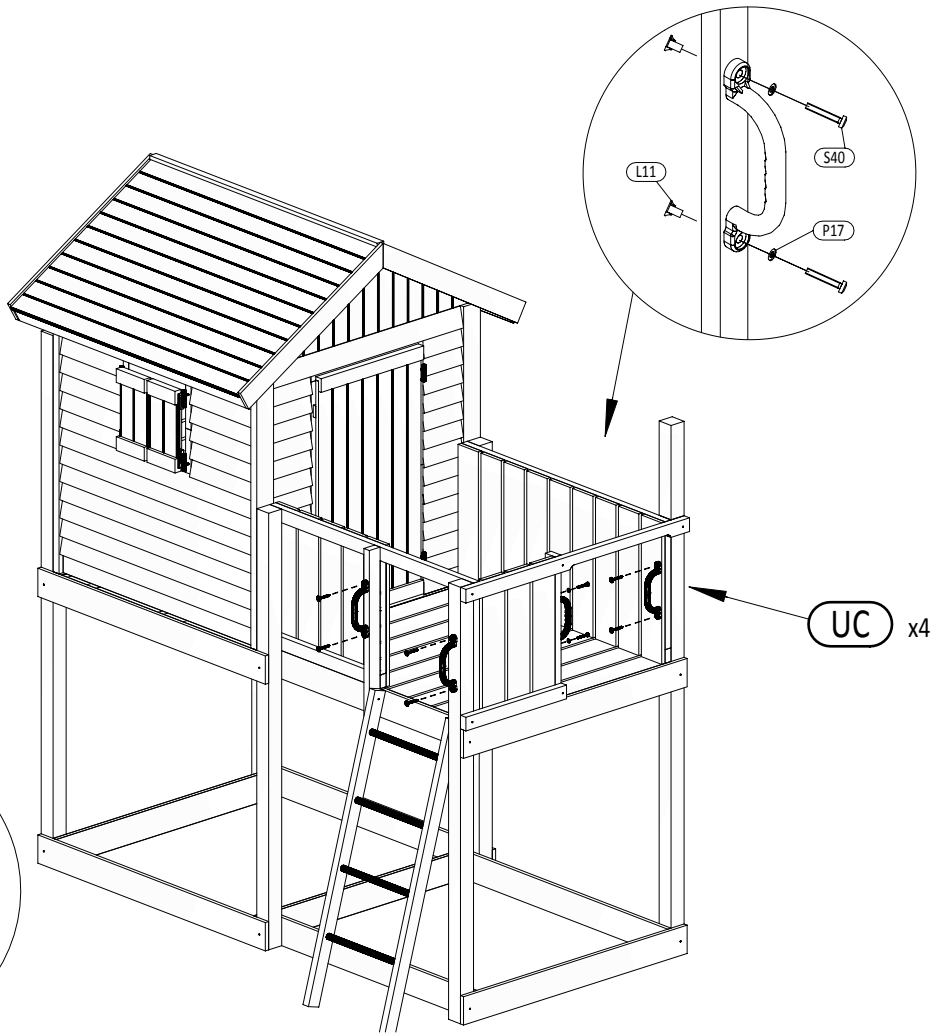
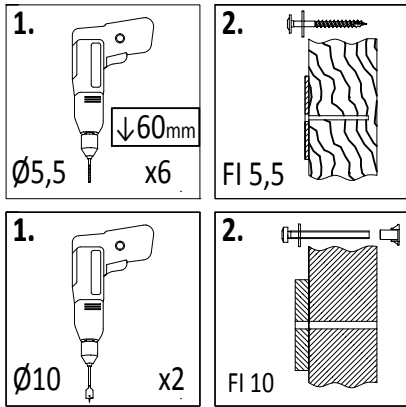
ZD x2



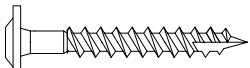
W80 x4



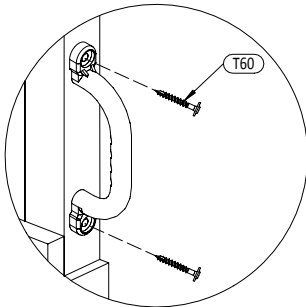
49



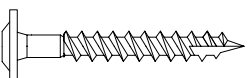
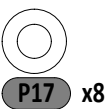
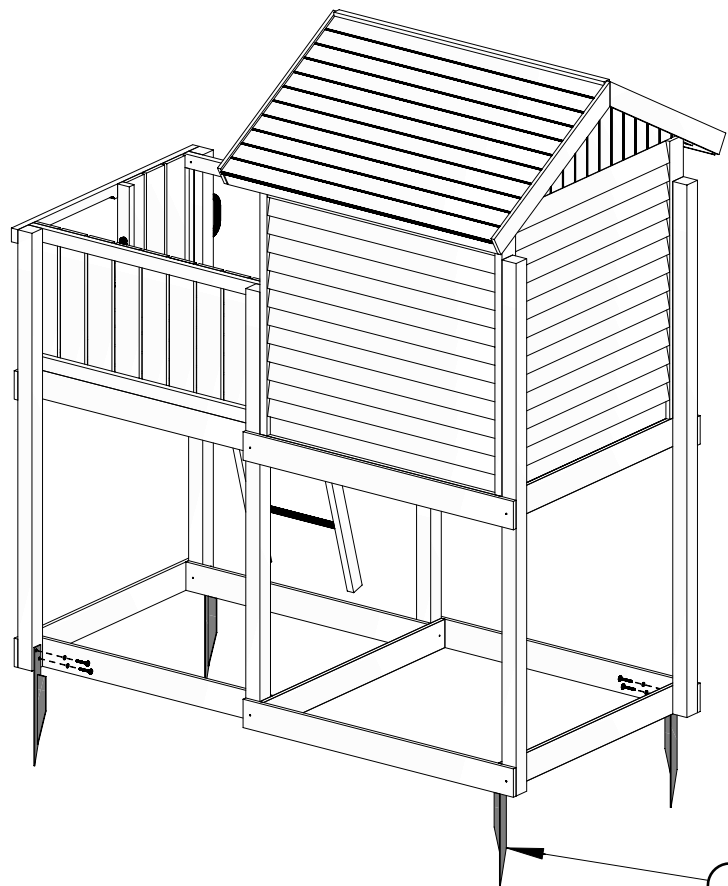
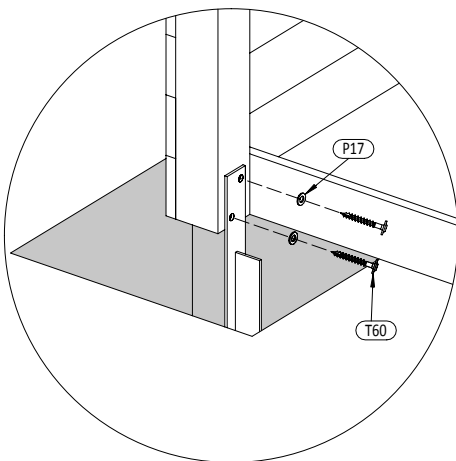
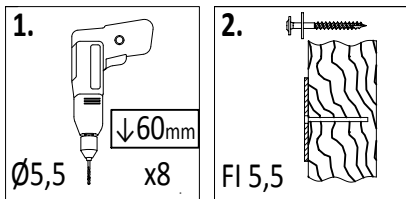
S40 x2



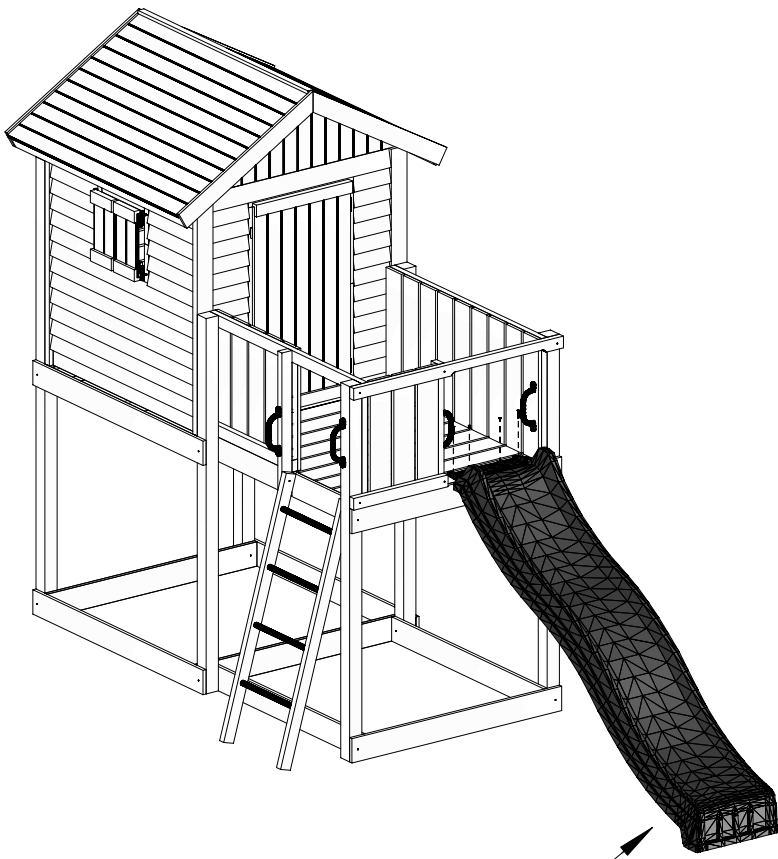
T60 x6



50



T60 x8



Z x1

