

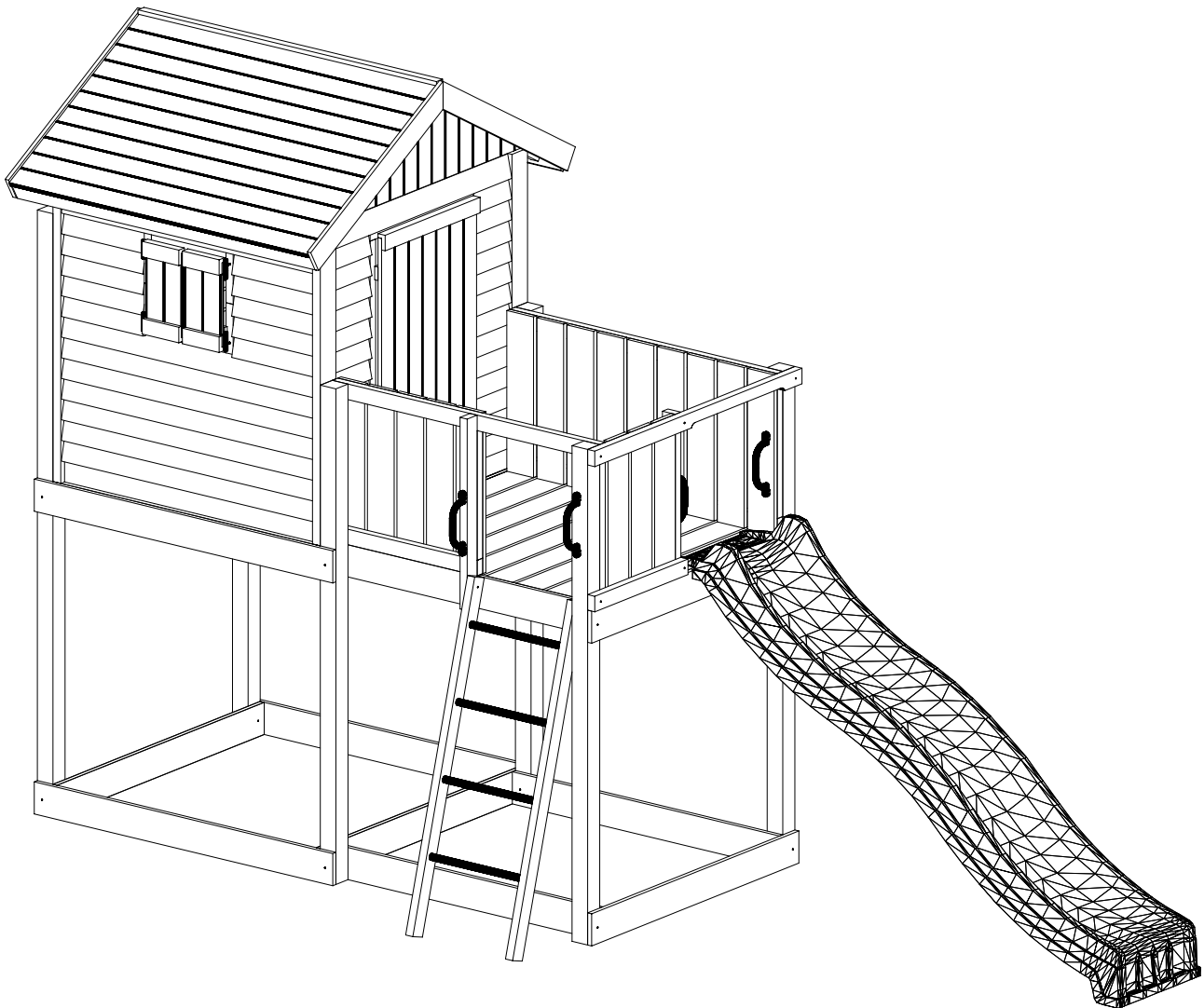
# SPIEPLATZ

(440 x 156 x h284cm)

003\_01075\_20012015

## MONTAGEANLEITUNG

---



---

### WARNUNG!

Nur für den Hausgebrauch.

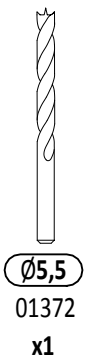
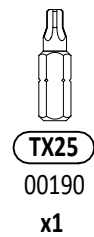
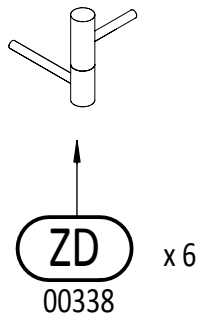
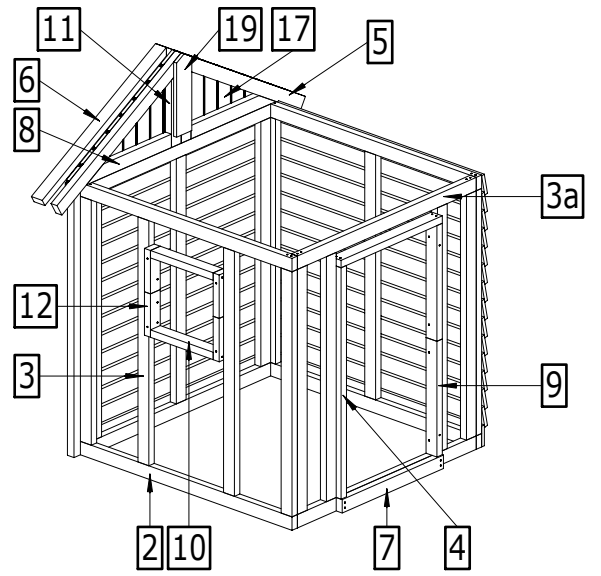
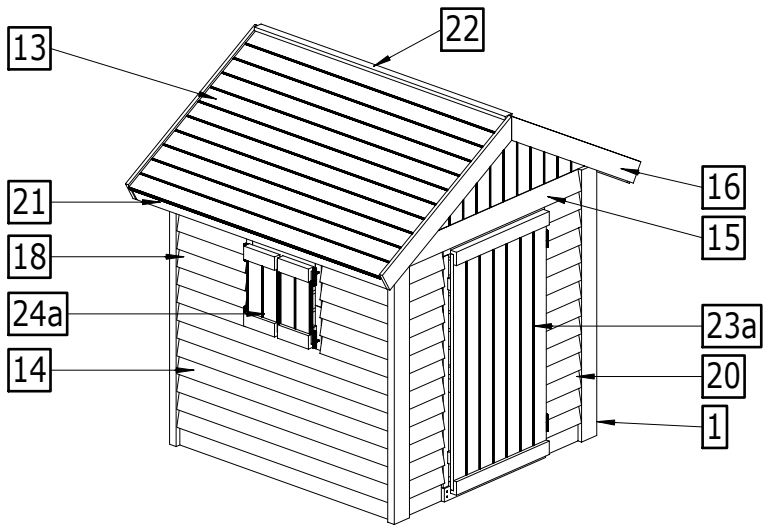
Nur für den Außeneinsatz

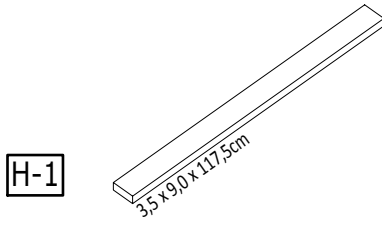
Konzipiert für Kinder ab 3 Jahren

Sturz- und / oder Anstoßgefahr

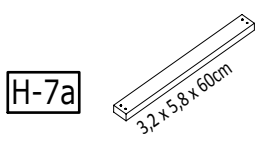
Das zulässige Höchstgewicht beträgt 50 kg.

Es können maximal 7 Kinder gleichzeitig auf dem Spielturn stehen.

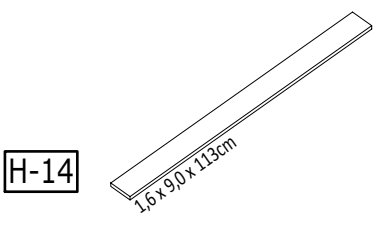




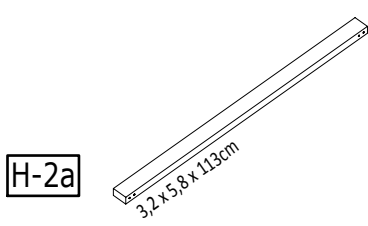
H-1



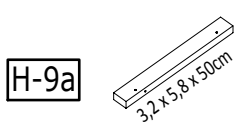
H-7a



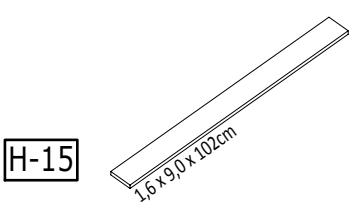
H-14



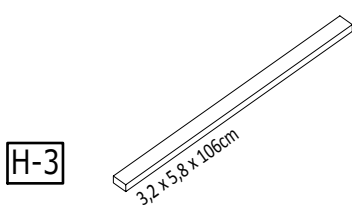
H-2a



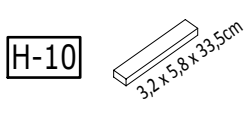
H-9a



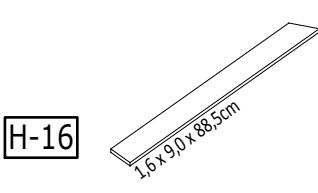
H-15



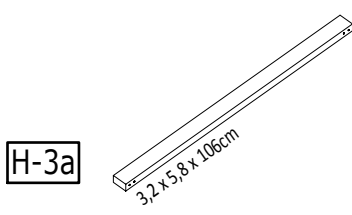
H-3



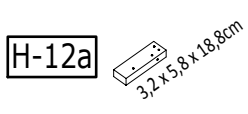
H-10



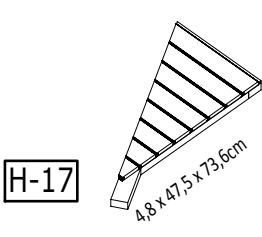
H-16



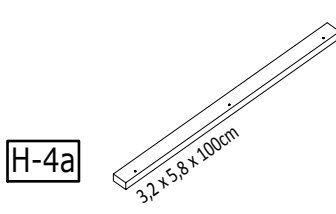
H-3a



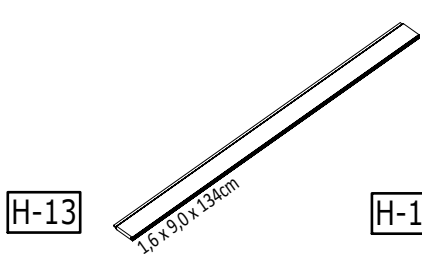
H-12a



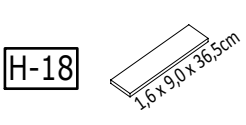
H-17



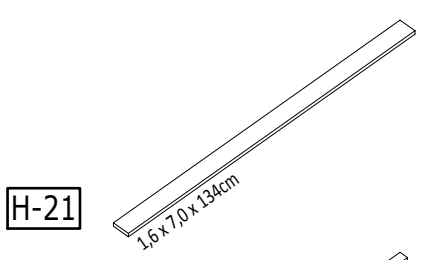
H-4a



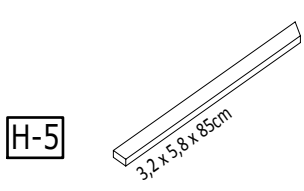
H-13



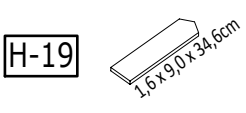
H-18



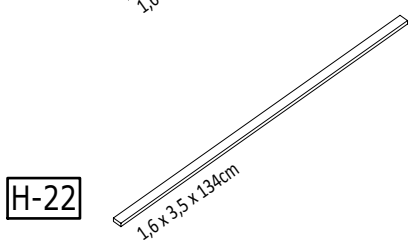
H-21



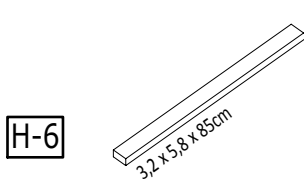
H-5



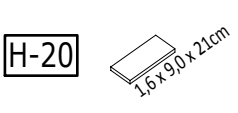
H-19



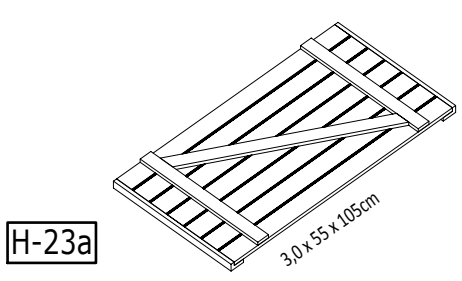
H-22



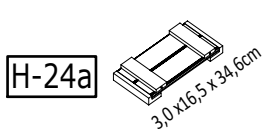
H-6



H-20



H-23a



H-24a

H-1	35x90x1175mm	4
H-2a	32x58x1130mm	4
H-3	32x58x1060mm	14
H-3a	32x58x1060mm	4
H-4a	32x58x1000mm	1
H-5	32x58x850mm	2
H-6	32x58x850mm	4
H-7a	32x58x600mm	2
H-9a	32x58x500mm	2
H-10	32x58x335mm	2
H-12a	32x58x187mm	4
H-13	16x90x1340mm	22
H-14	16x90x1130mm	25
H-15	16x90x1020mm	18
H-16	16x90x885mm	4
H-18	16x90x365mm	10
H-19	16x90x345mm	2
H-20	16x90x210mm	28
H-21	16x70x1340mm	2
H-22	16x35x1340mm	1
H-23a	47x550x1050mm	1
H-24a	47x165x345mm	2
H-17	pólszczyt	4

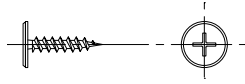
W80 x203



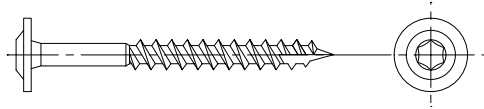
W40 x622



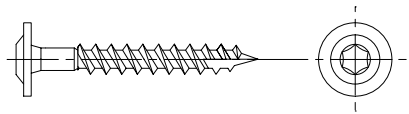
W20 x2



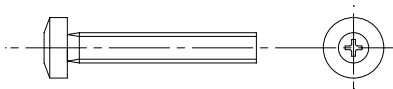
T80 x43



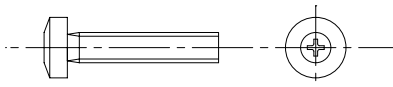
T60 x16



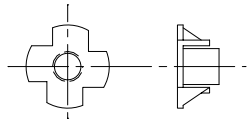
S50 x8



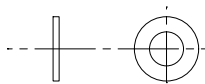
S40 x2



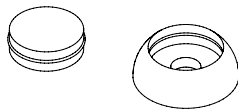
L11 x10



P17 x18



OS1 x40



Ø3

00239

x1

Ø5,5

01372

x1

Ø10

00188

x1

PH3

00068

x1

PZ2

00241

x1

TX25

00190

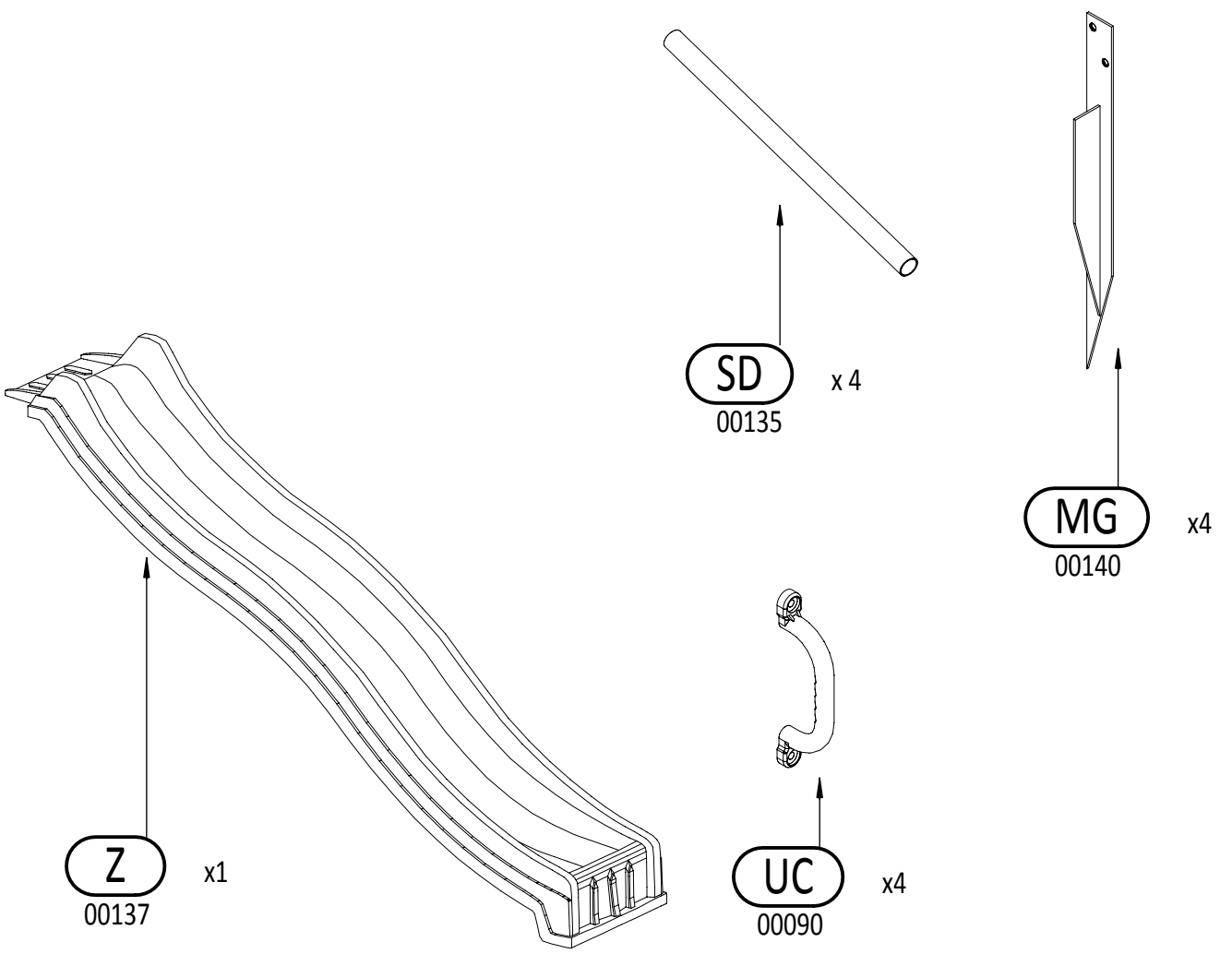
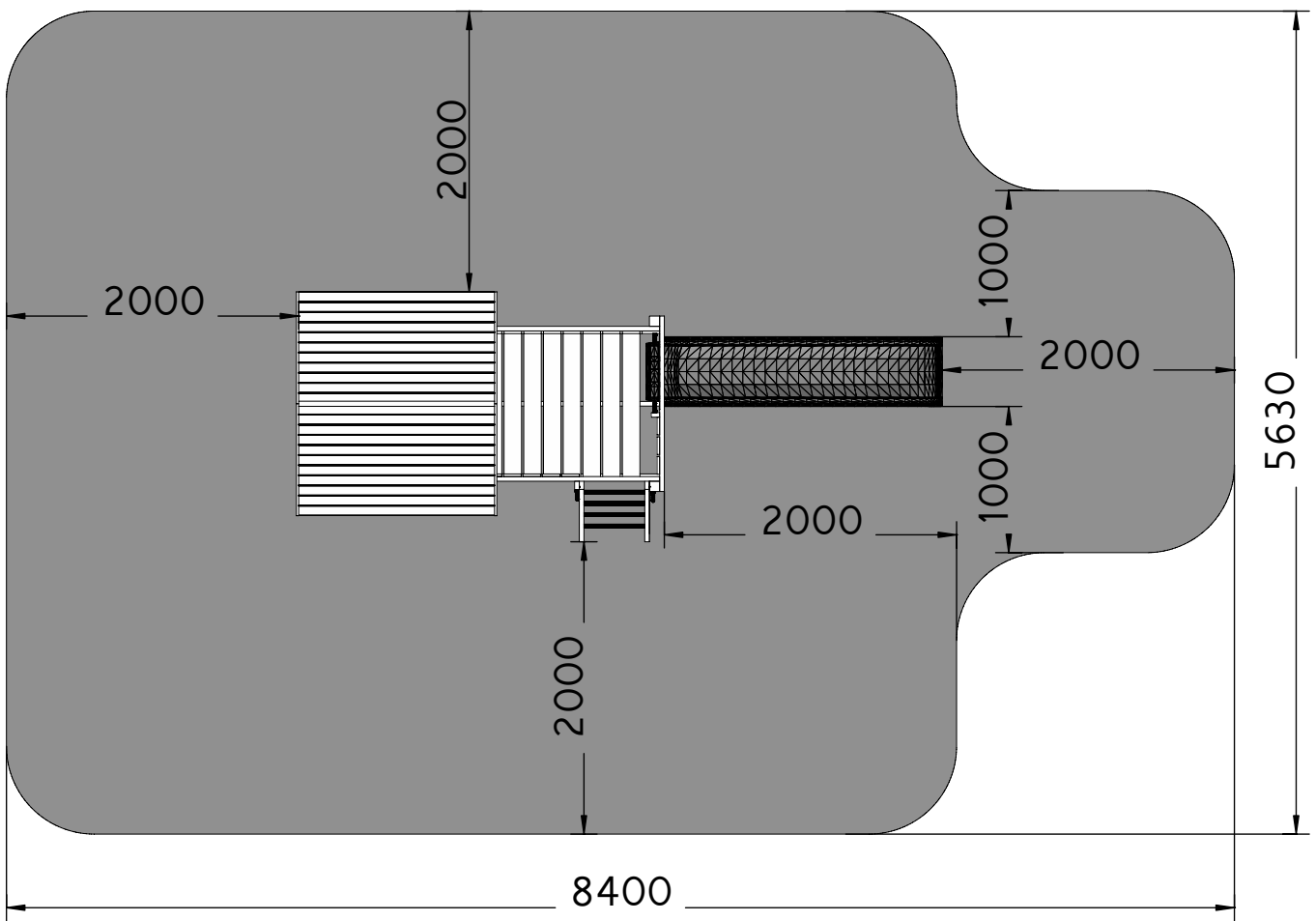
x1

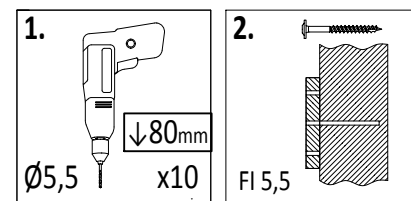
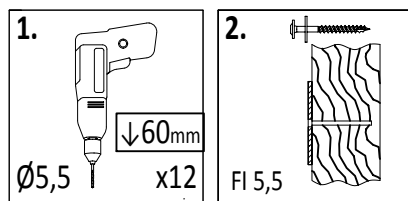
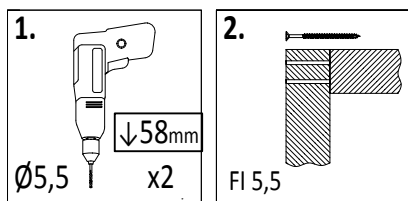
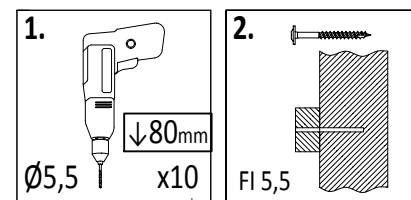
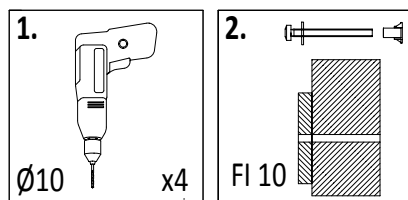
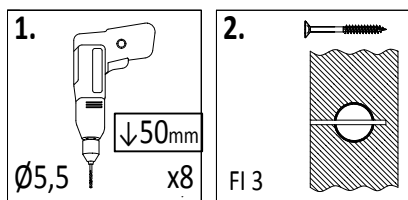
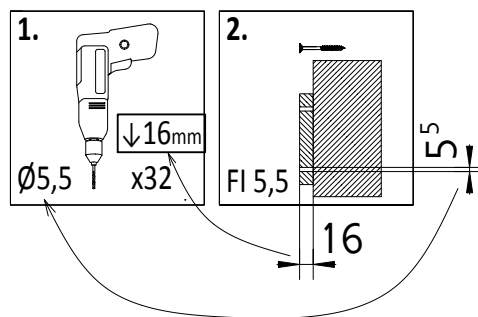
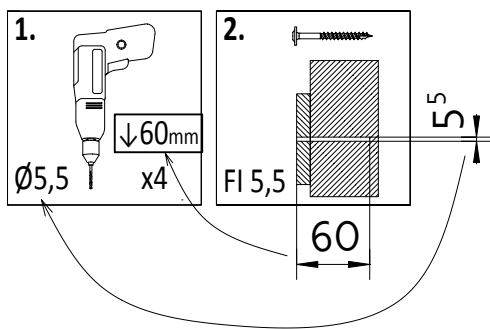
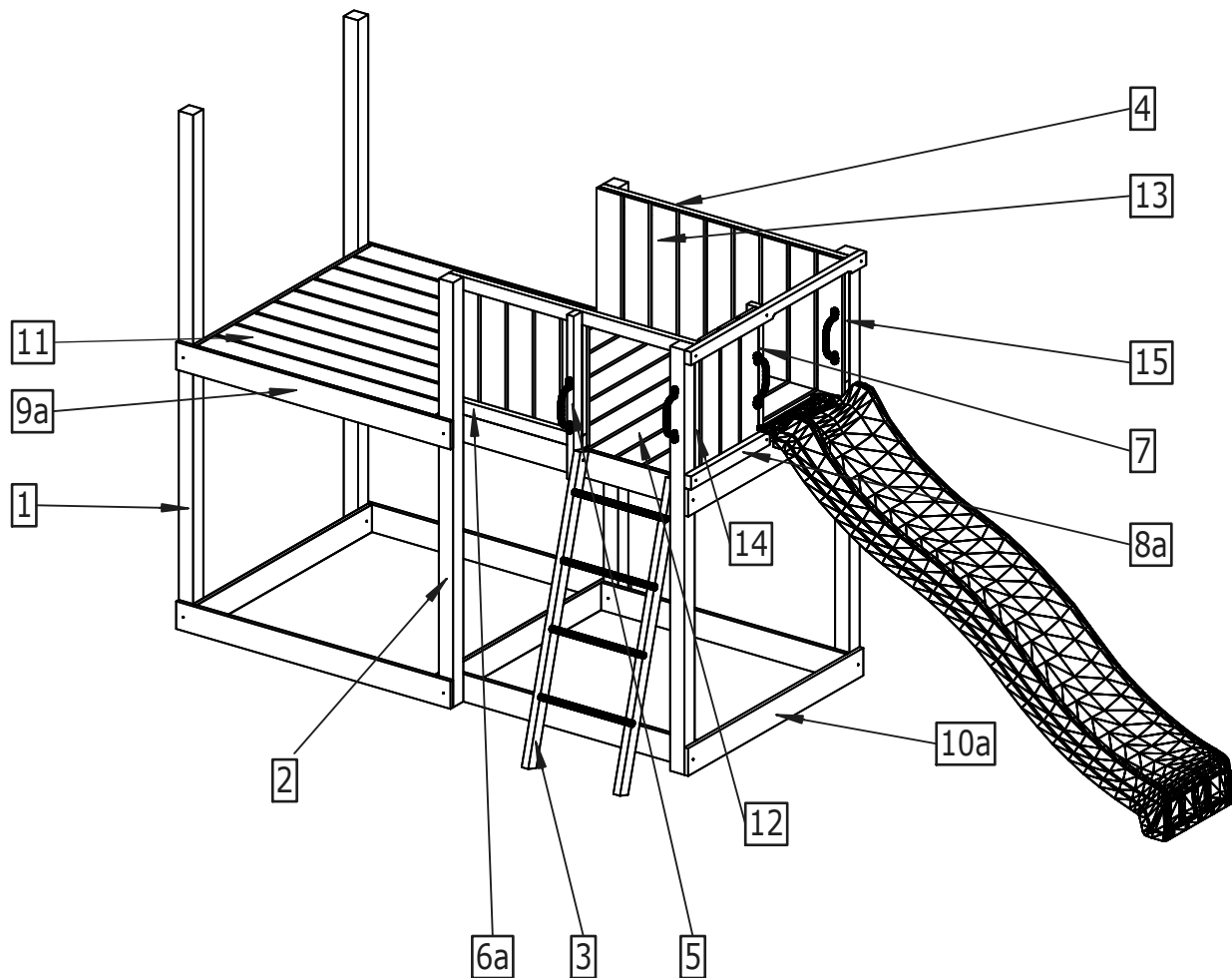
TX40

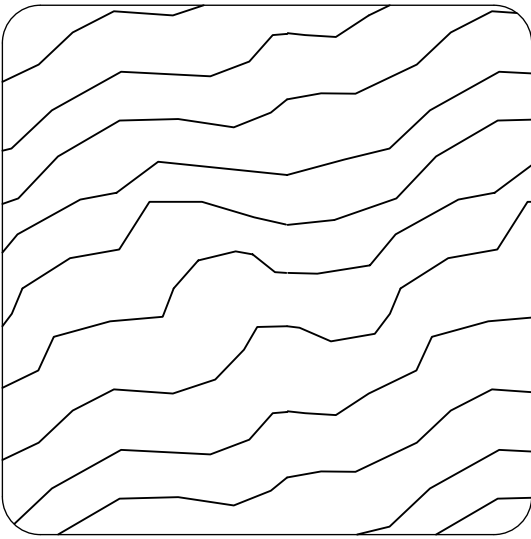
00242

x1



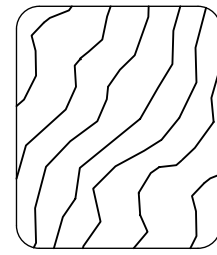






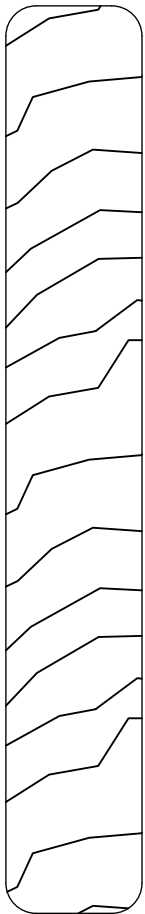
**7,0 x 7,0 cm**

Nr.	Maß	Stück
P-1	70x70x2250mm	2
P-2	70x70x1850mm	4



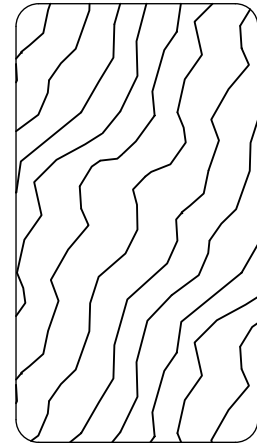
**2,7 x 3,2 cm**

Nr.	Maß	Stück
P-14	32x27x542mm	1
P-15	32x27x484mm	2



**1,8 x 12,0 cm**

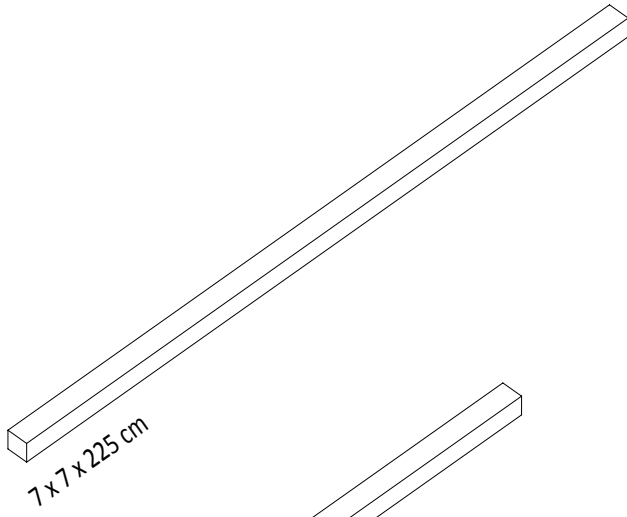
Nr.	Maß	Stück
P-9a	18x120x1340mm	4
P-10a	18x120x1200mm	10
P-11	18x120x1164mm	9
P-12	18x120x1024mm	9
P-13	18x120x600mm	17



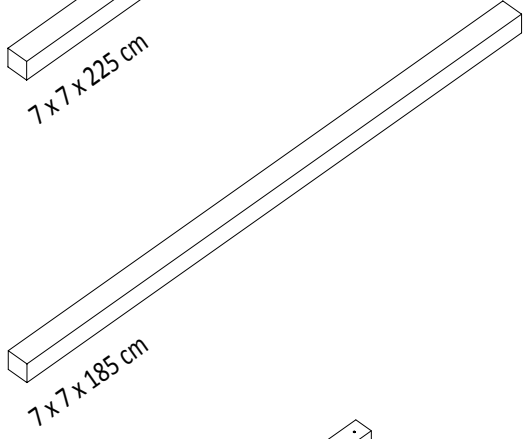
**3,2 x 5,8 cm**

Nr.	Maß	Stück
P-3a	32x58x1300mm	2
P-4	32x58x1200mm	6
P-4a	32x58x1200mm	2
P-4b	32x58x1200mm	1
P-4c	32x58x1200mm	1
P-5	32x58x715mm	1
P-6a	32x58x650mm	1
P-7	32x58x600mm	1
P-8a	32x58x540mm	1

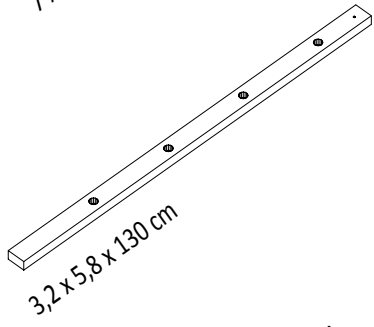
P-1



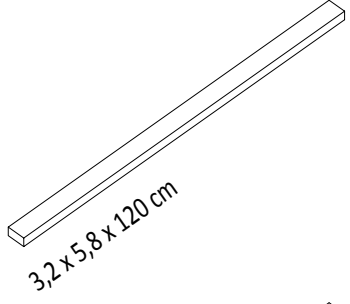
P-2



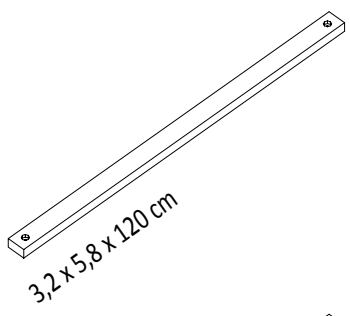
P-3a



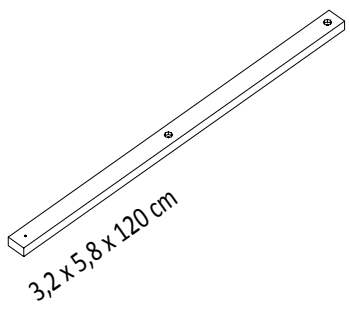
P-4



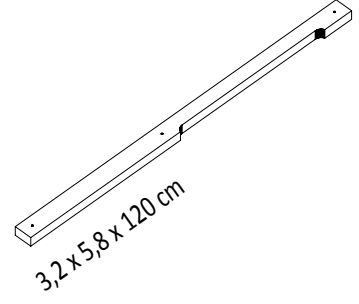
P-4a



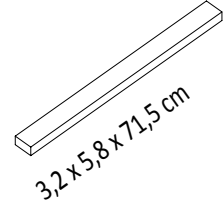
P-4b



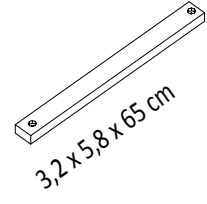
P-4c



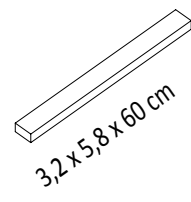
P-5



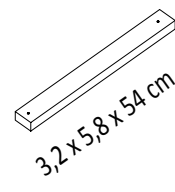
P-6a



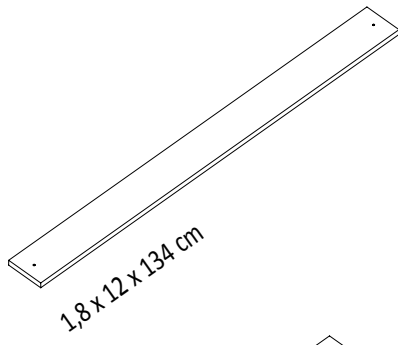
P-7



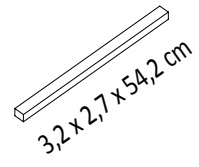
P-8a



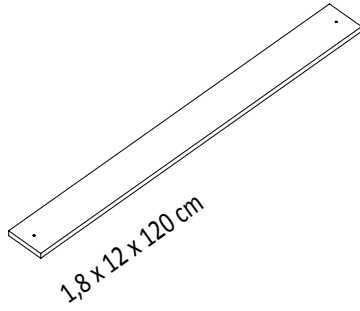
P-9a



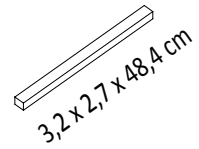
P-14



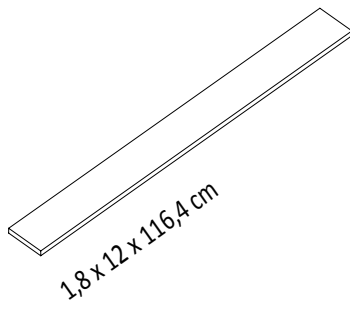
P-10a



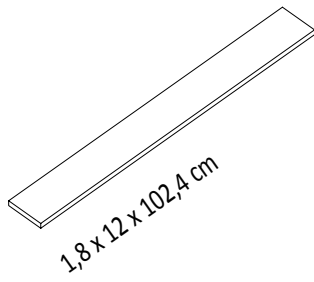
P-15



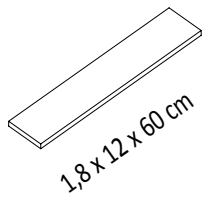
P-11



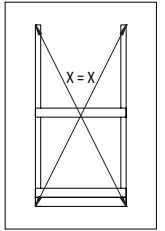
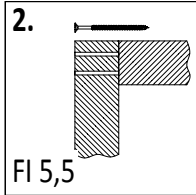
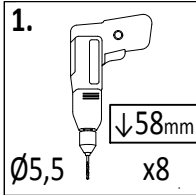
P-12



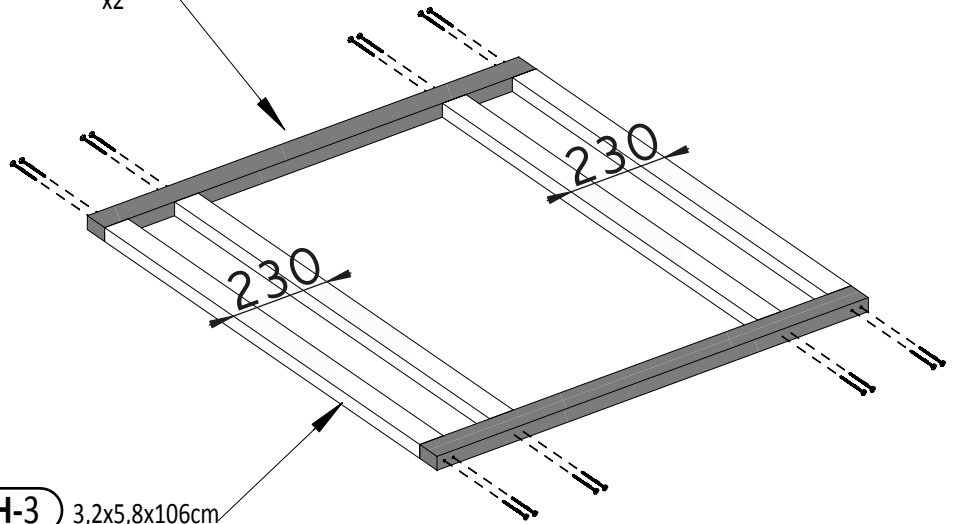
P-13



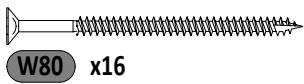
01



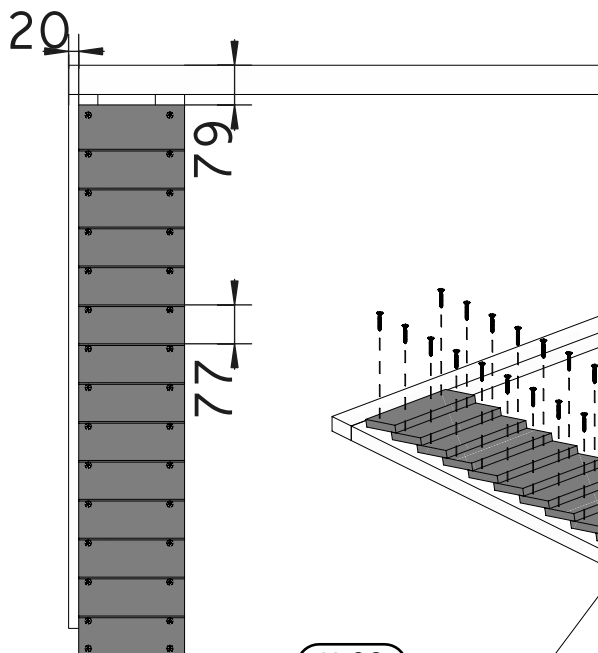
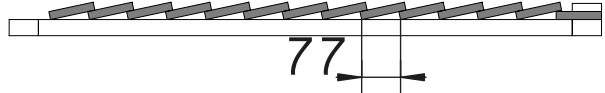
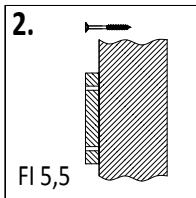
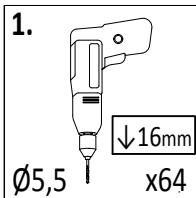
**H-3a** 3,2x5,8x106cm  
x2



**H-3** 3,2x5,8x106cm  
x4

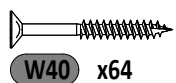


02

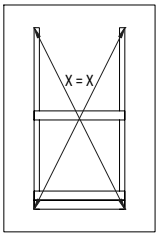


**H-20** 1,6x9,0x21cm  
x28

**H-7a** 3,2x5,8x60cm  
x1



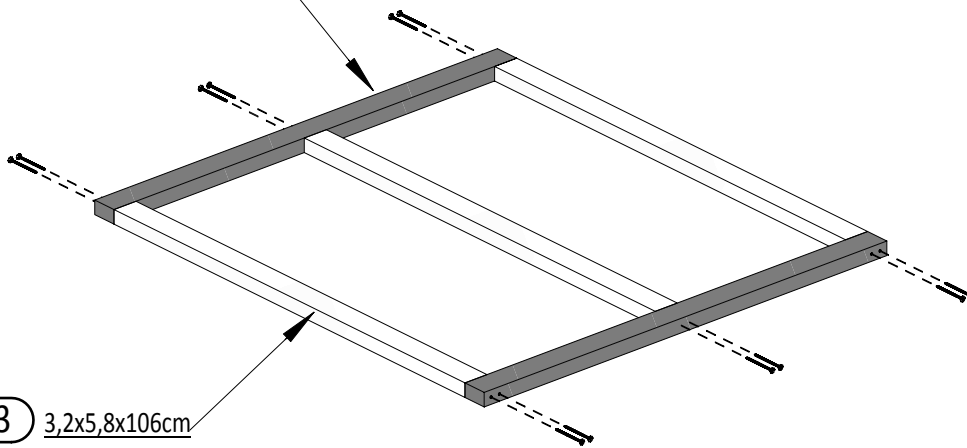
10



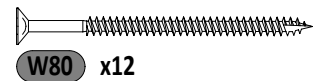
1.  $\downarrow 58\text{mm}$   
 $\varnothing 5,5$  x4

2. FI 5,5

**H-3a** 3,2x5,8x106cm  
x2

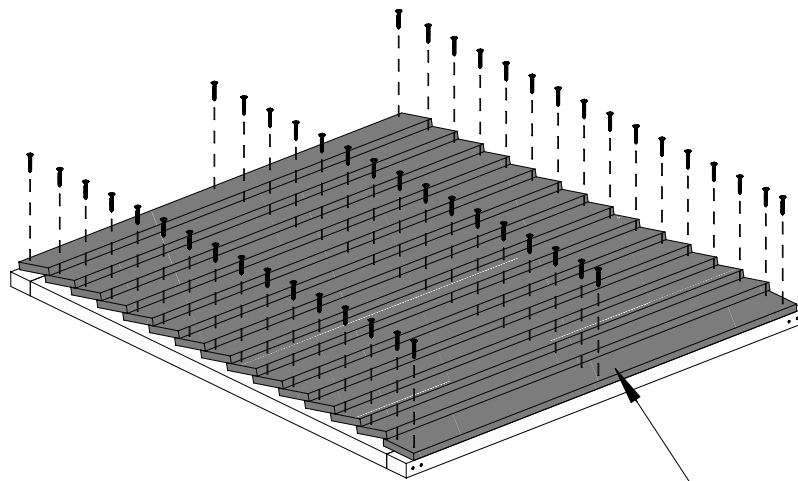
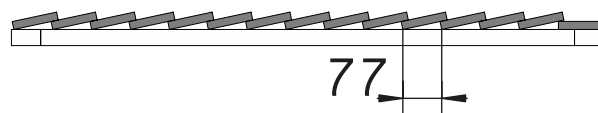
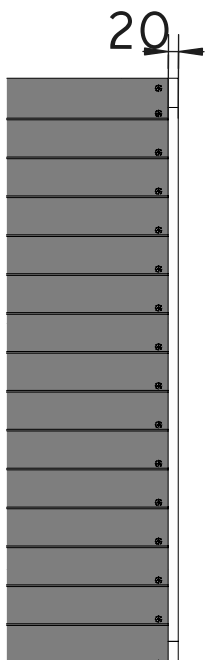


**H-3** 3,2x5,8x106cm  
x3

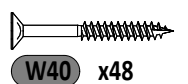


1.  $\downarrow 16\text{mm}$   
 $\varnothing 5,5$  x32

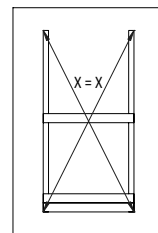
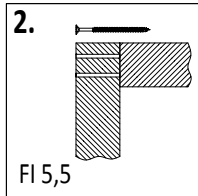
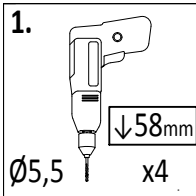
2. FI 5,5



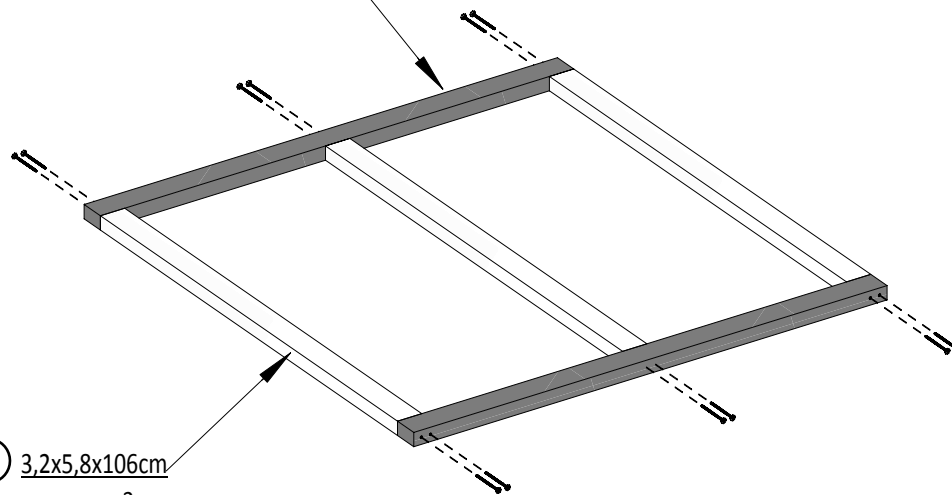
**H-15** 1,6x9,0x102cm  
x15



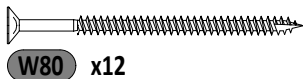
05



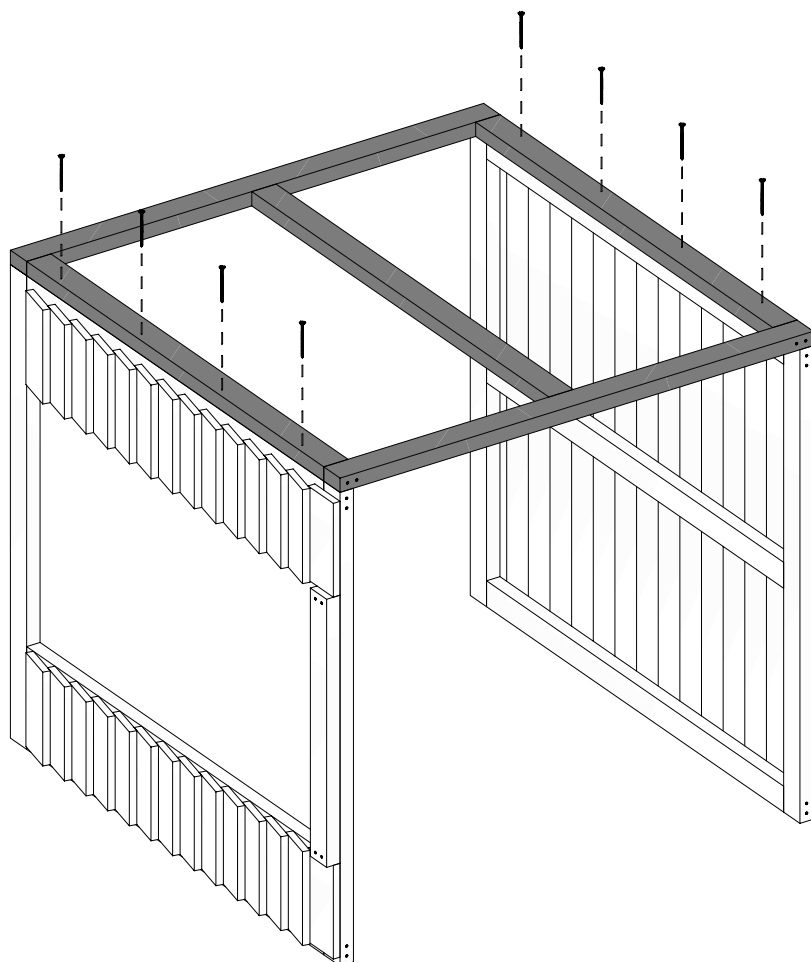
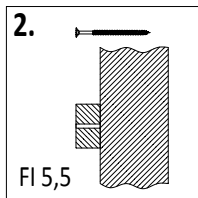
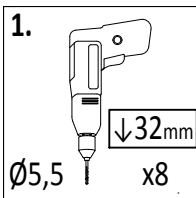
**H-2a** 3,2x5,8x113cm  
x2



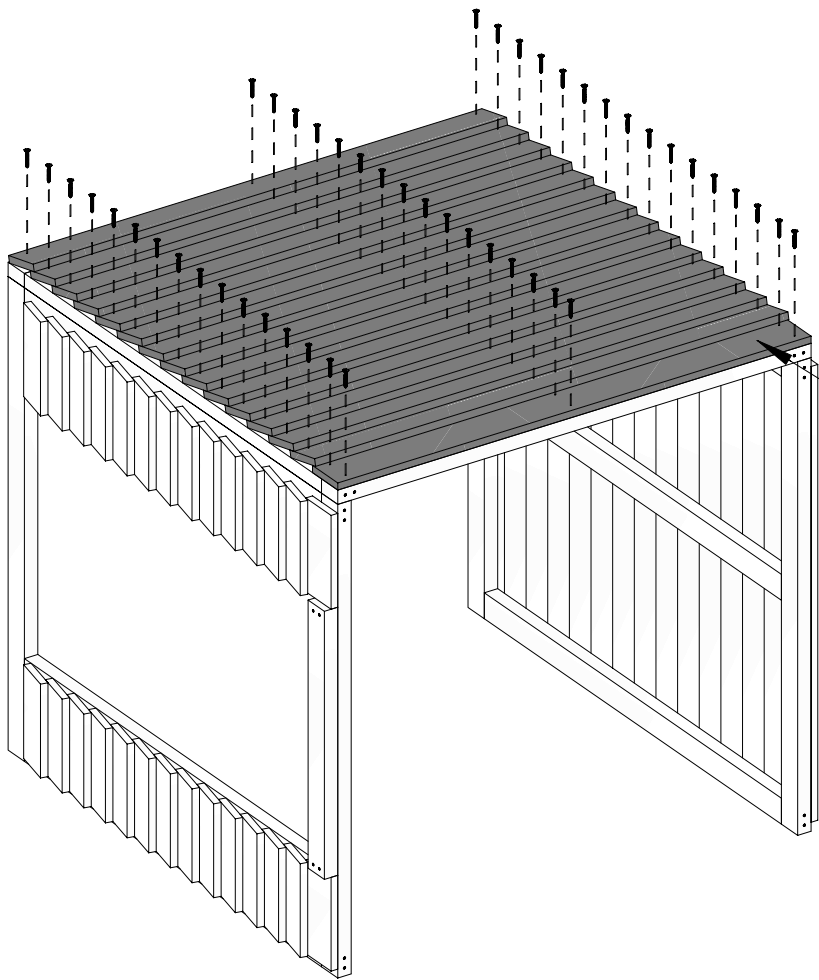
**H-3** 3,2x5,8x106cm  
x3

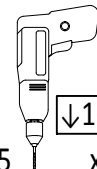


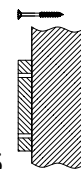
06



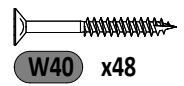




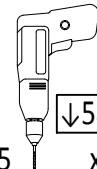
1.   $\downarrow 16\text{mm}$   
 $\varnothing 5,5$  x48

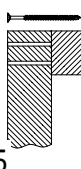
2.   
 FI 5,5

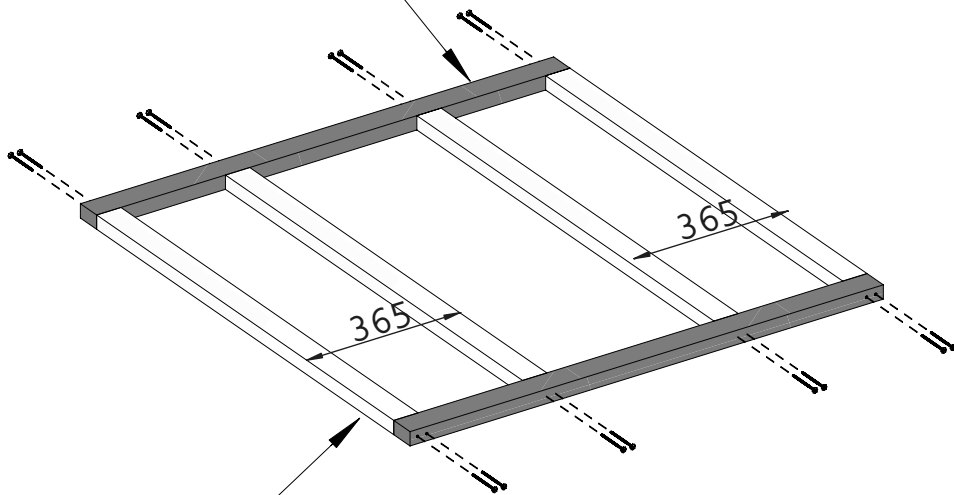
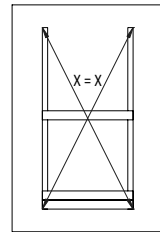
**H-14** 1,6x9,0x113cm  
x15



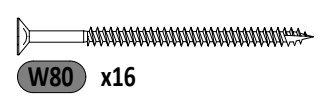
**H-2a** 3,2x5,8x113cm  
x2

1.   $\downarrow 58\text{mm}$   
 $\varnothing 5,5$  x8

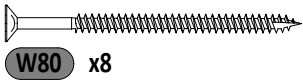
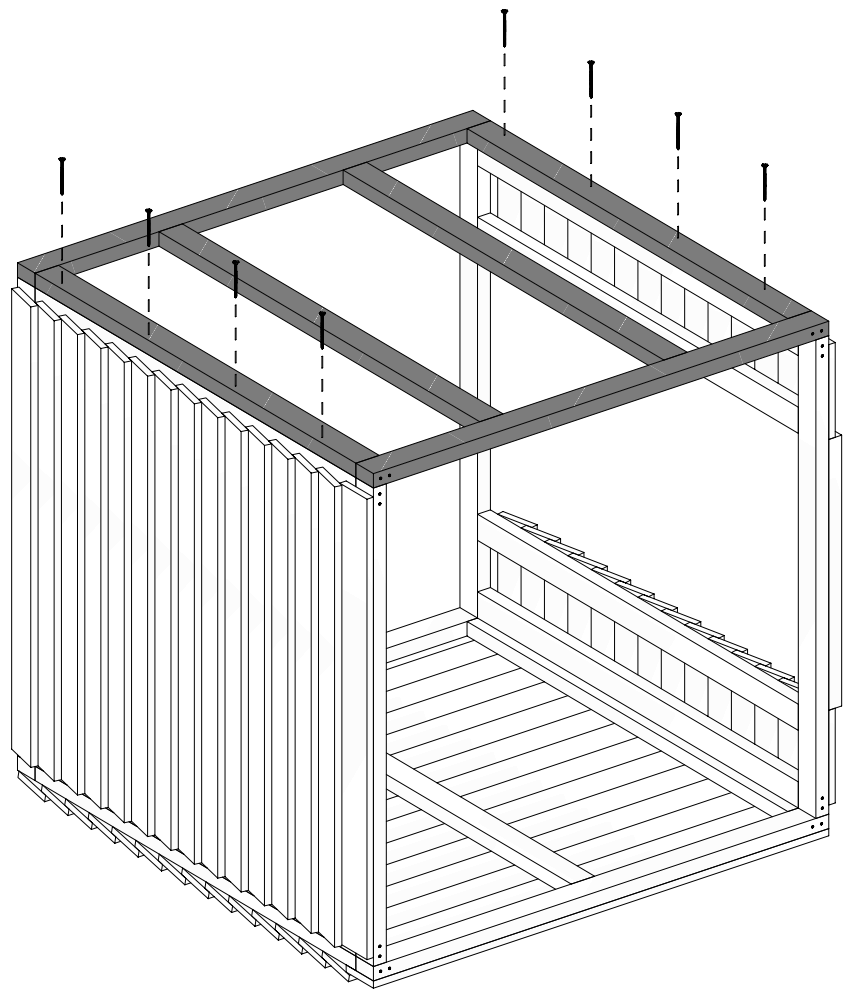
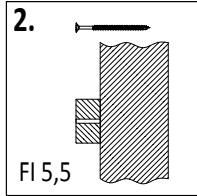
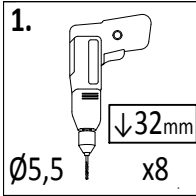
2.   
 FI 5,5



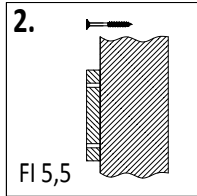
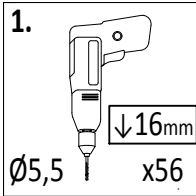
**H-3** 3,2x5,8x106cm  
x4



09

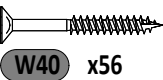
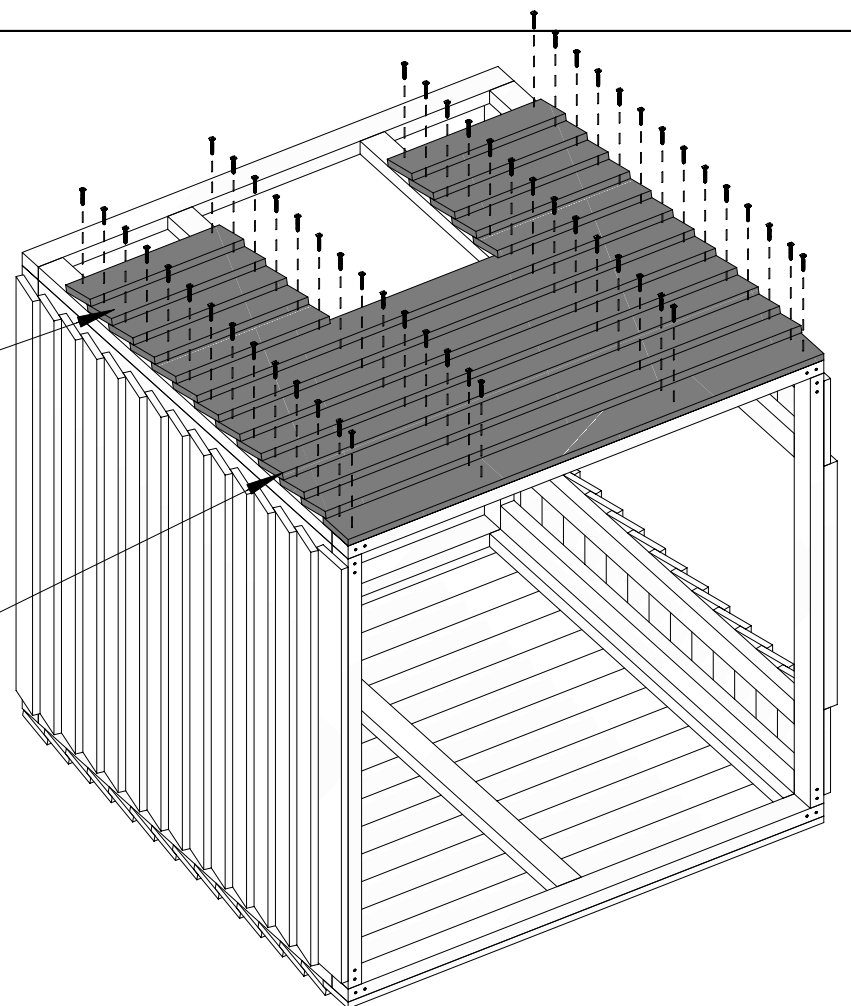


10

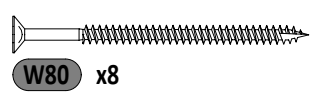
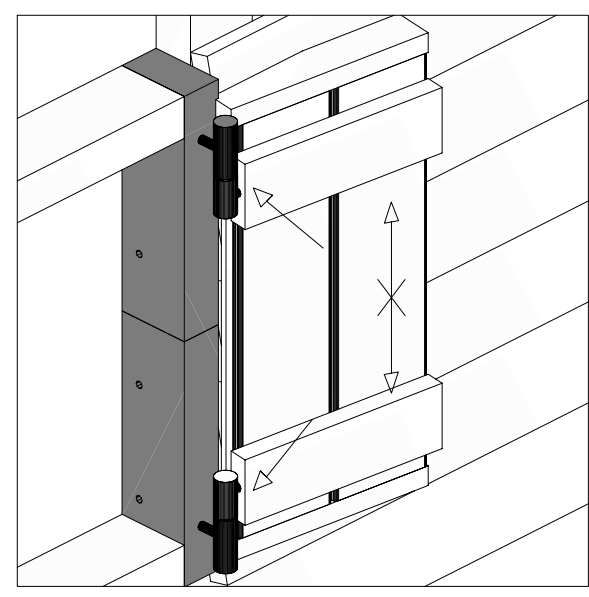
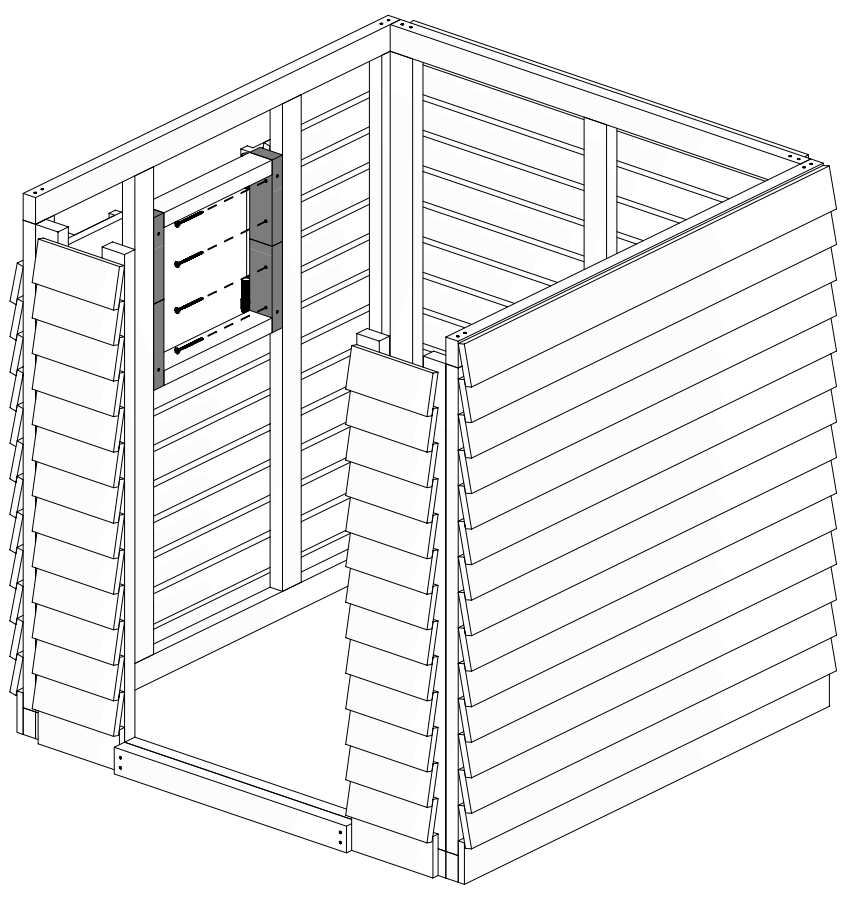
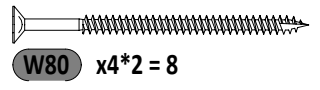
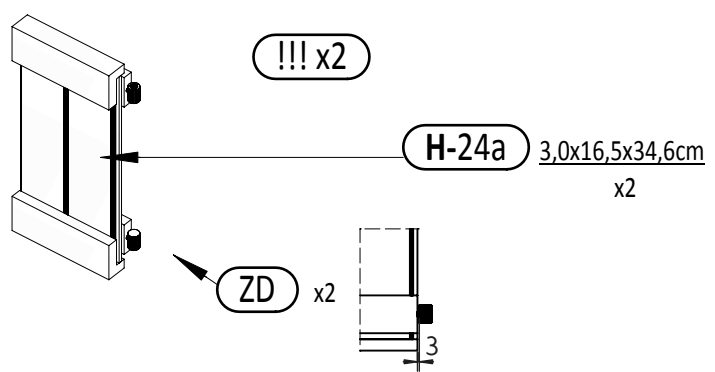
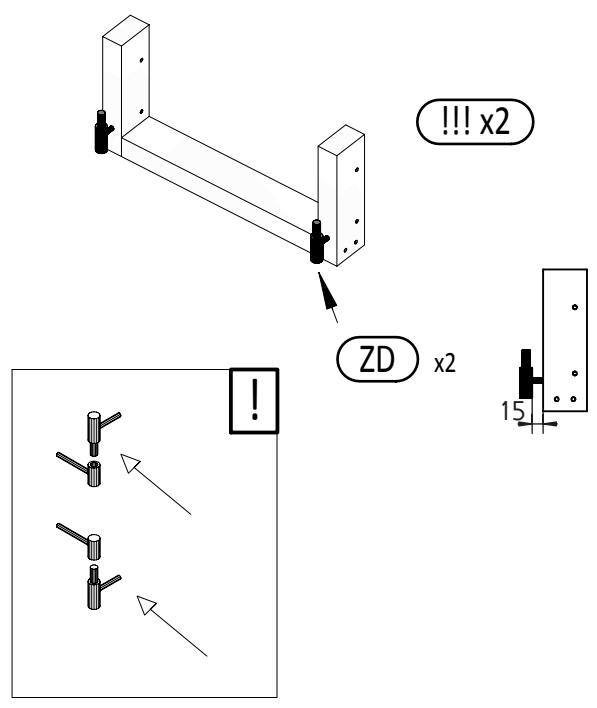
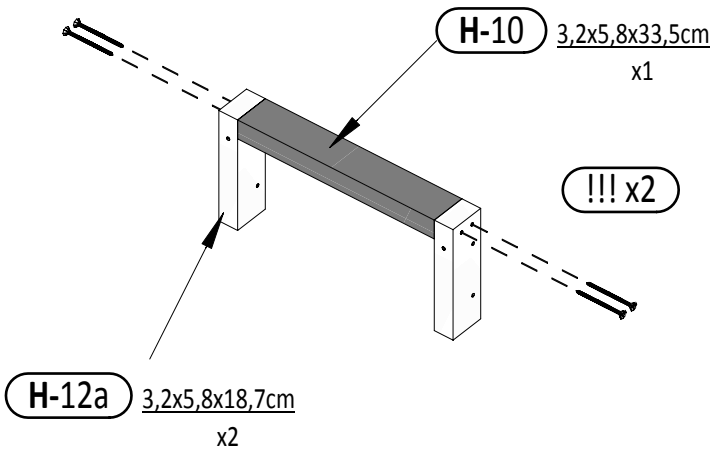


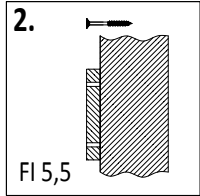
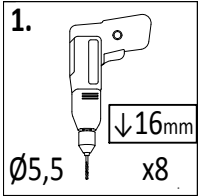
**H-18**  $1,6 \times 9,0 \times 36,5\text{cm}$   
x10

**H-14**  $1,6 \times 9,0 \times 113\text{cm}$   
x8

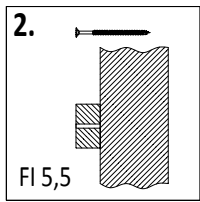
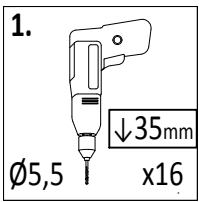
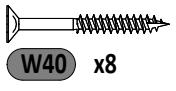
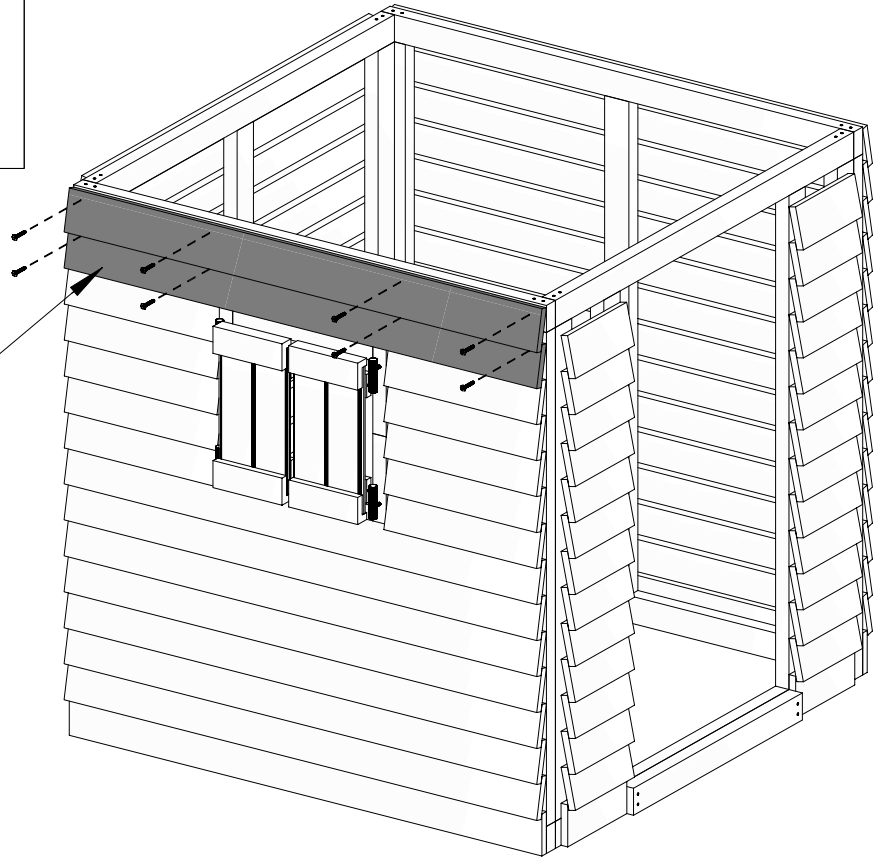


14

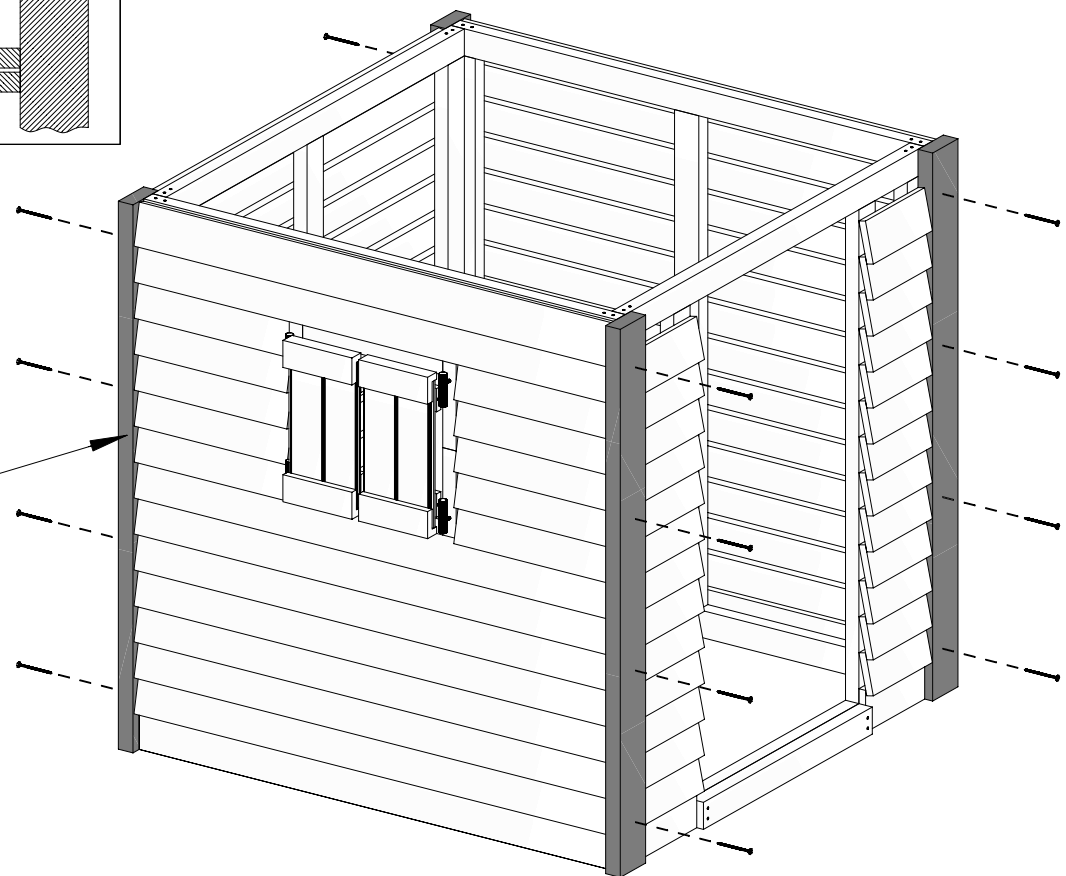


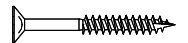
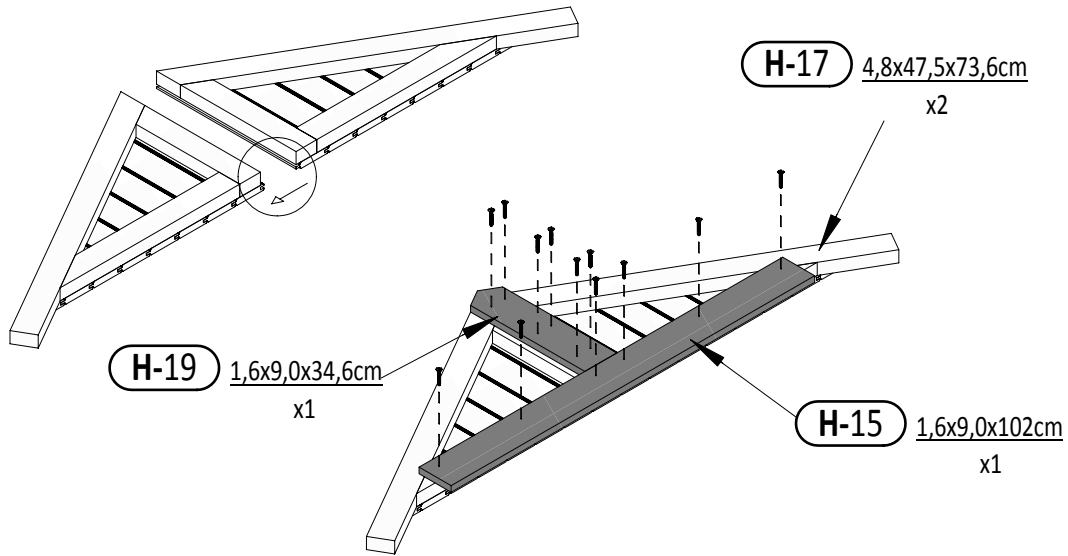
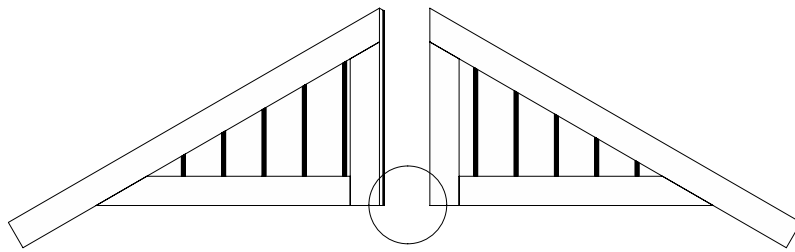


**H-13** 1,6x9,0x113cm  
 x2

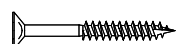
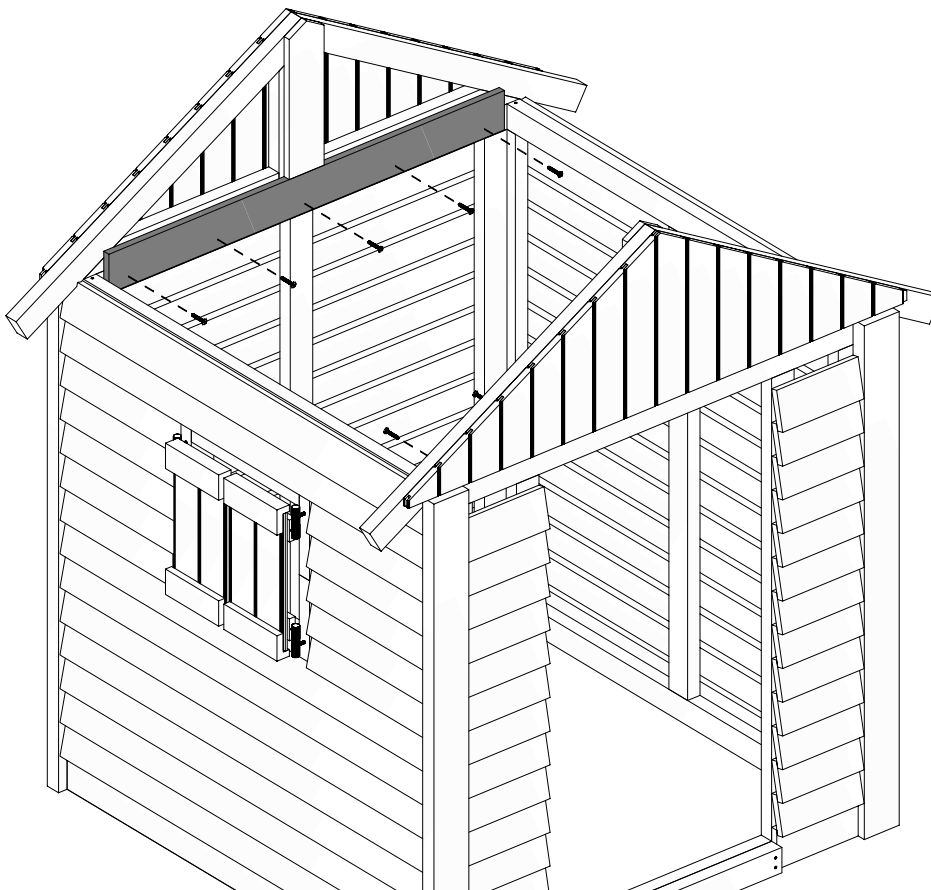


**H-1** 3,5x9,0x117,5cm  
 x4



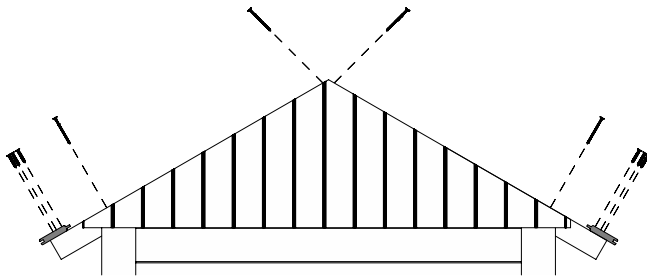


**W40** x12\*2 = 24



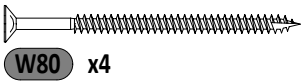
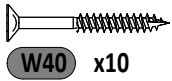
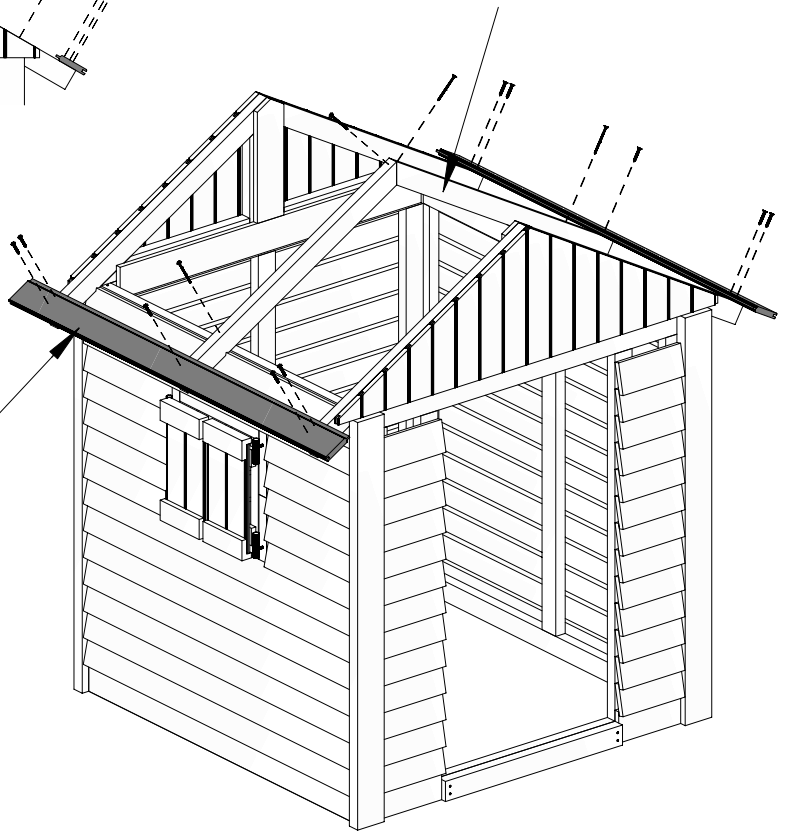
**W40** x10

17

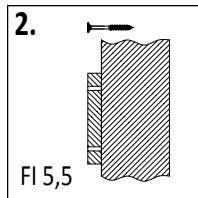
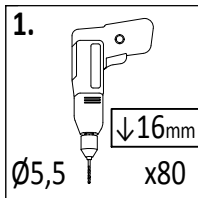


**H-5** 3,2x5,8x85cm  
x2

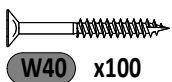
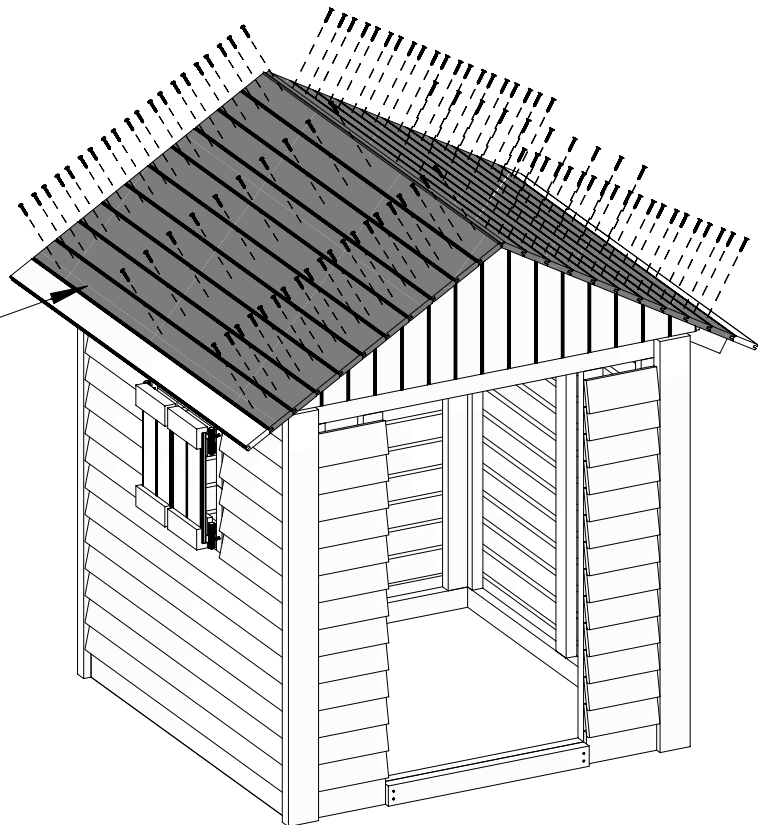
**H-13** 1,6x9,0x134cm  
x2



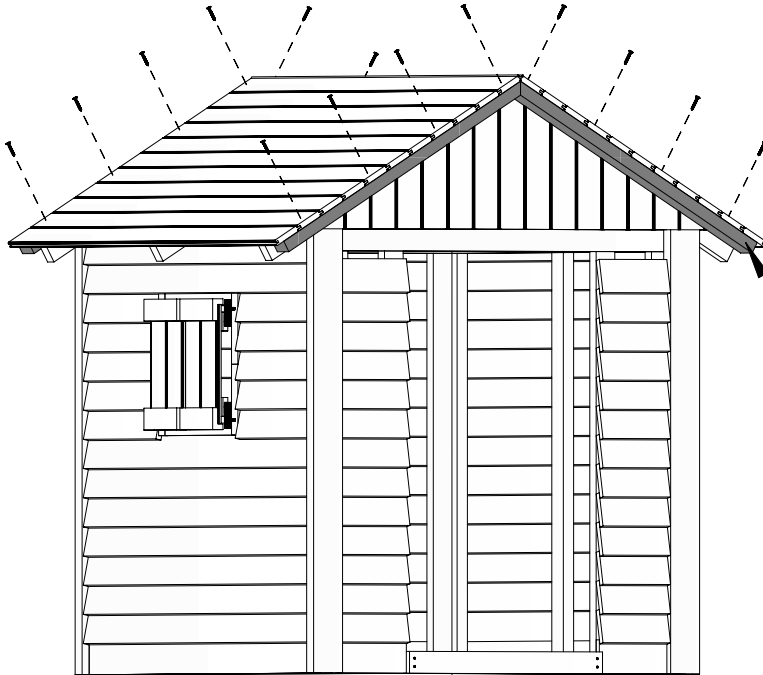
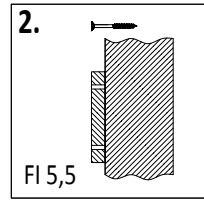
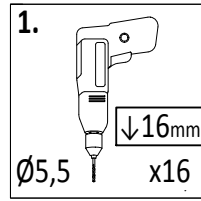
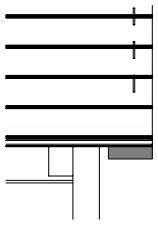
18



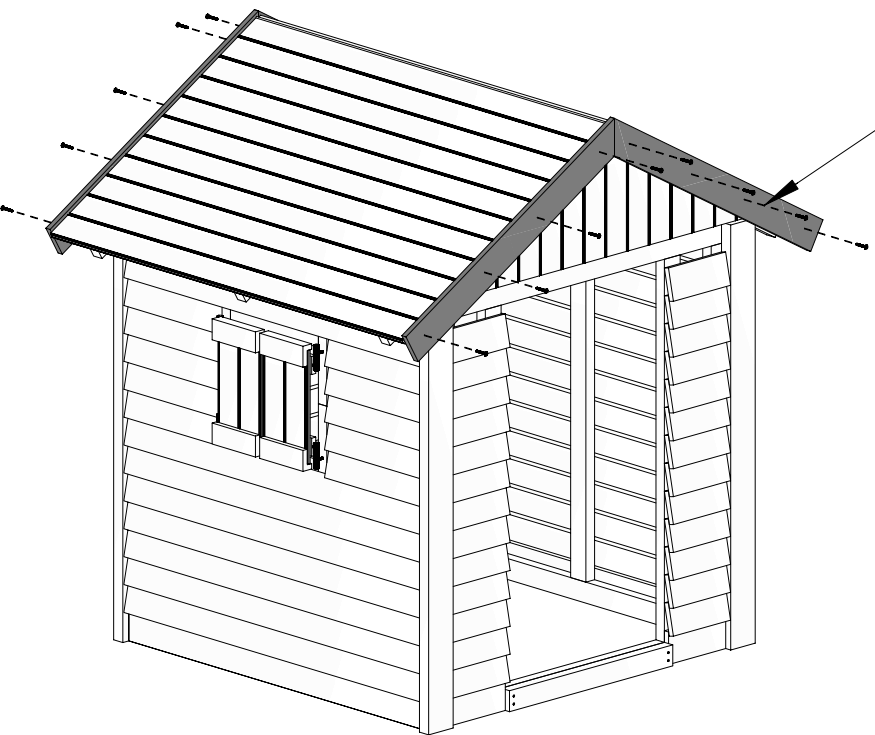
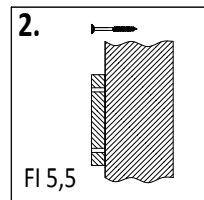
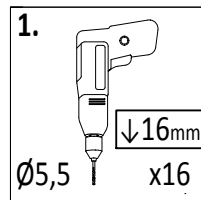
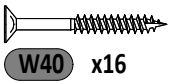
**H-13** 1,6x9,0x134cm  
x20



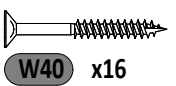
18

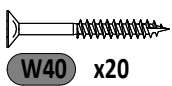
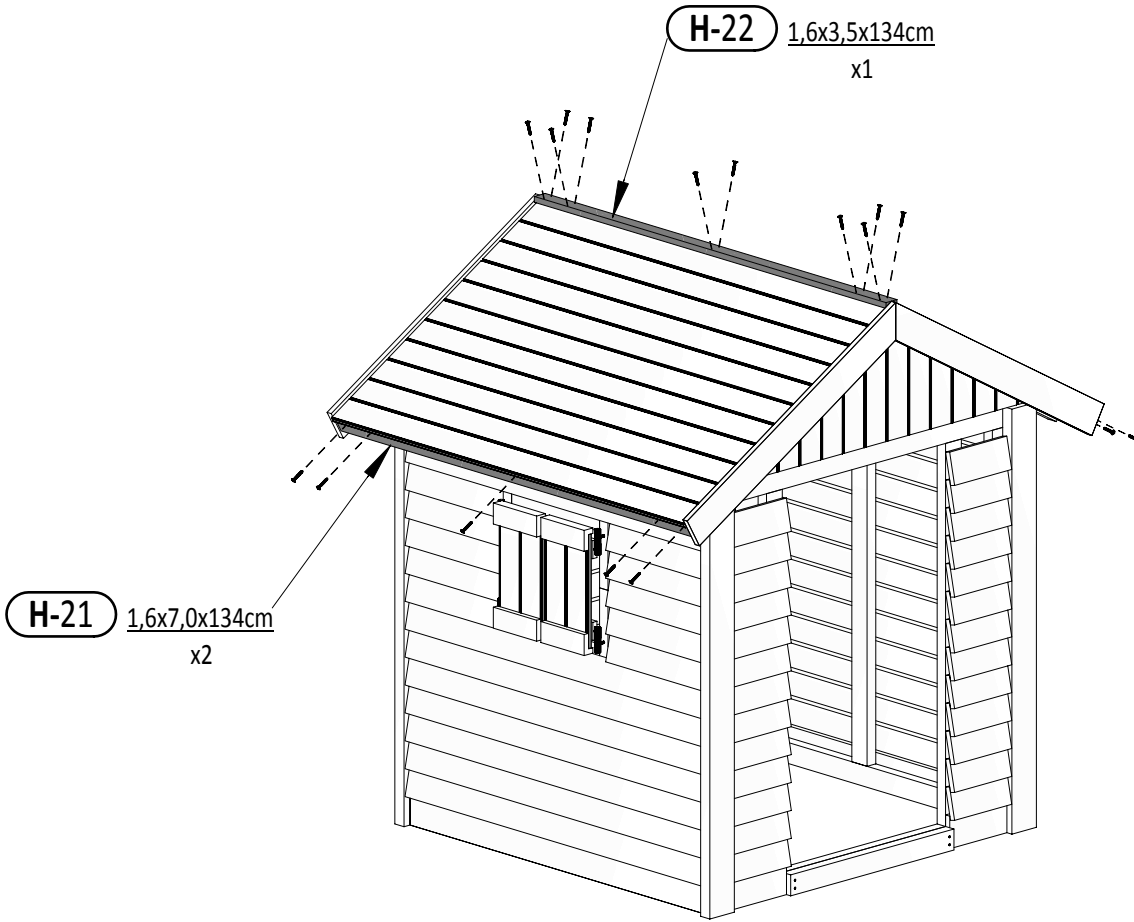
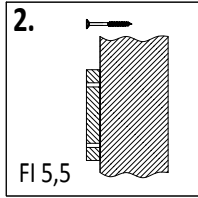
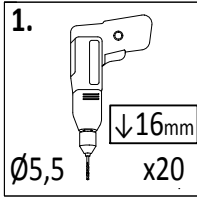


**H-6** 3,2x5,8x85cm  
x4

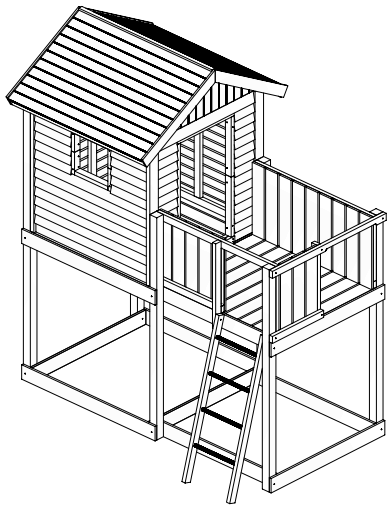
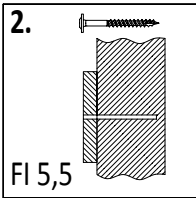
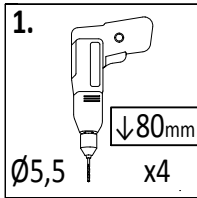


**H-16** 1,6x9,0x88,5cm  
x4

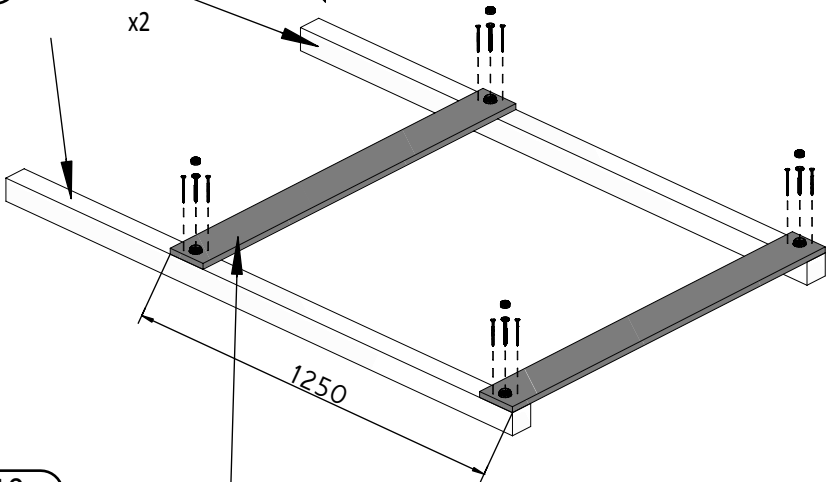






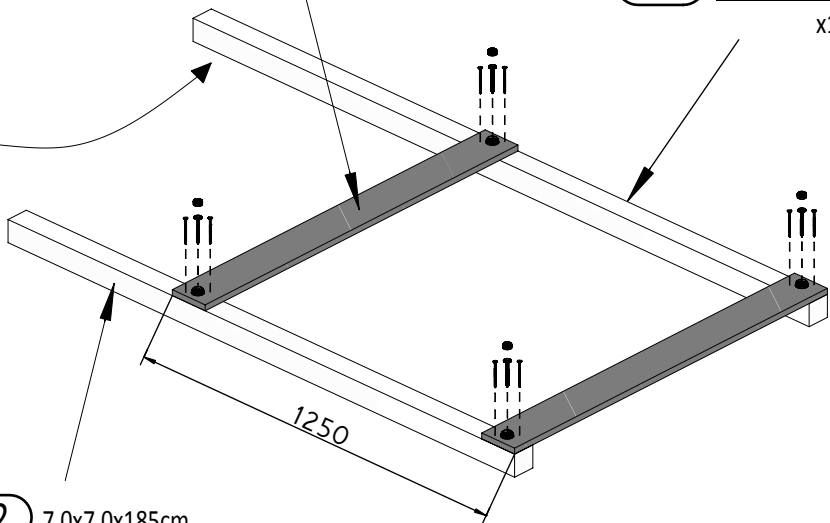


**P-2** 7,0x7,0x185cm x2

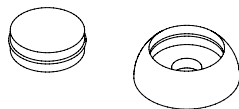
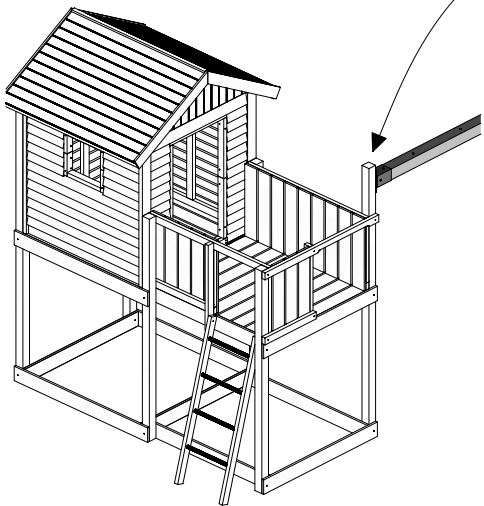


**P-10a** 1,8x12,0x120cm x2

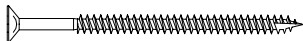
**P-1** 7,0x7,0x225cm x1



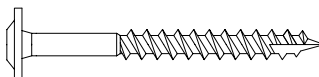
**P-2** 7,0x7,0x185cm x1



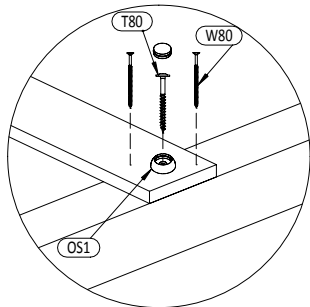
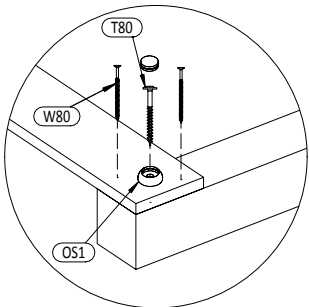
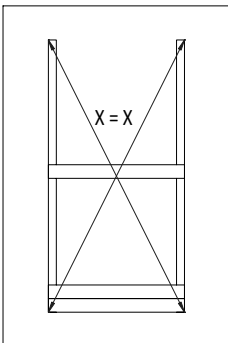
**OS1** x4



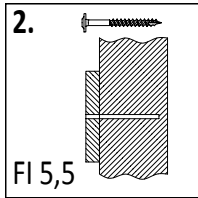
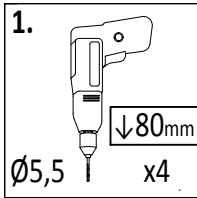
**W80** x8



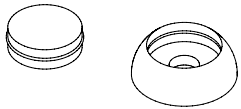
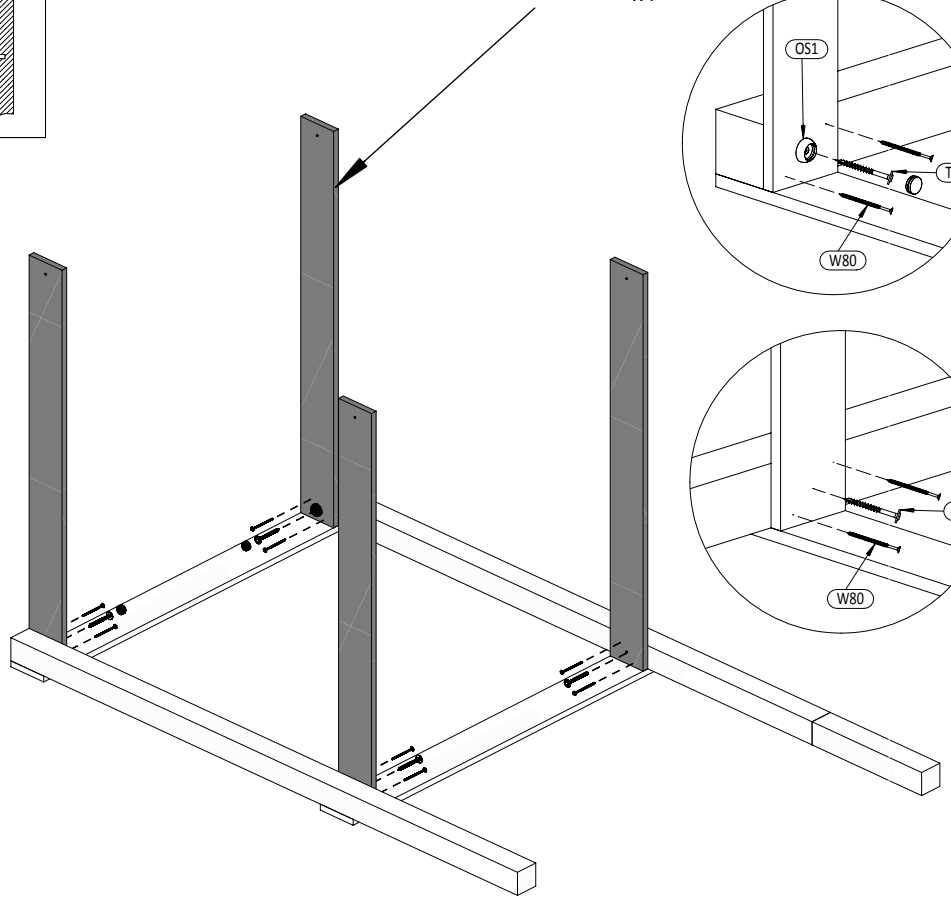
**T80** x4



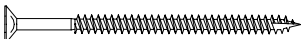
23



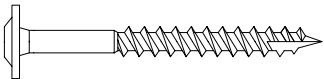
**P-10a** 1,8x12,0x120cm  
x4



**OS1** x2

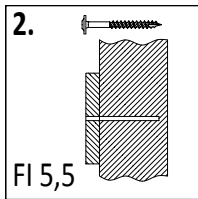
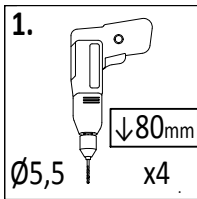


**W80** x8

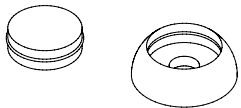
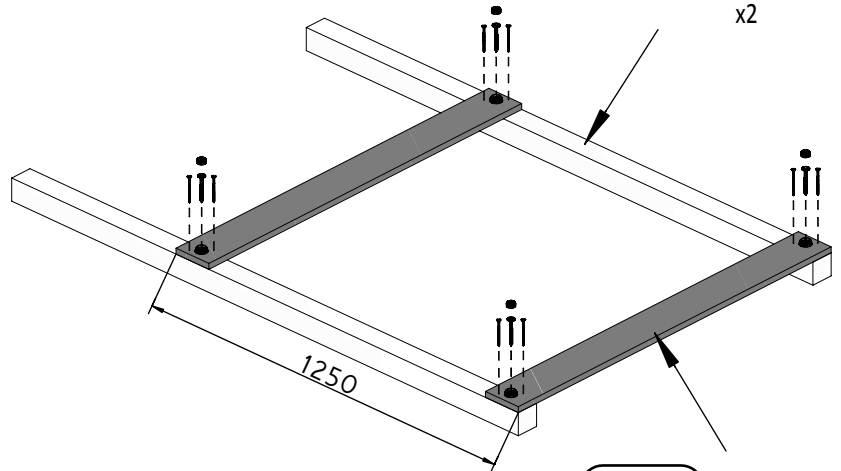


**T80** x4

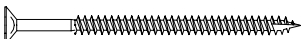
24



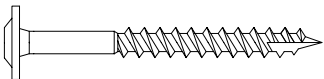
**P-2** 7,0x7,0x185cm  
x2



**OS1** x4

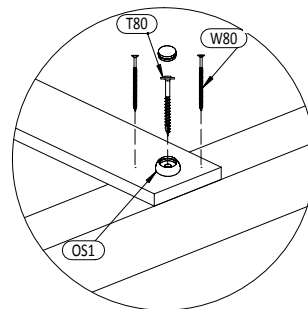
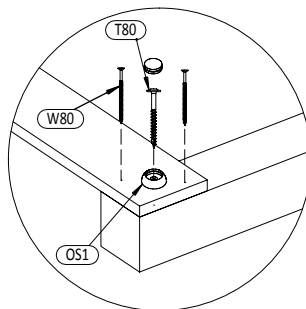


**W80** x8

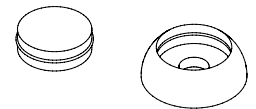
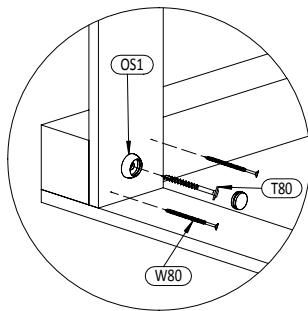
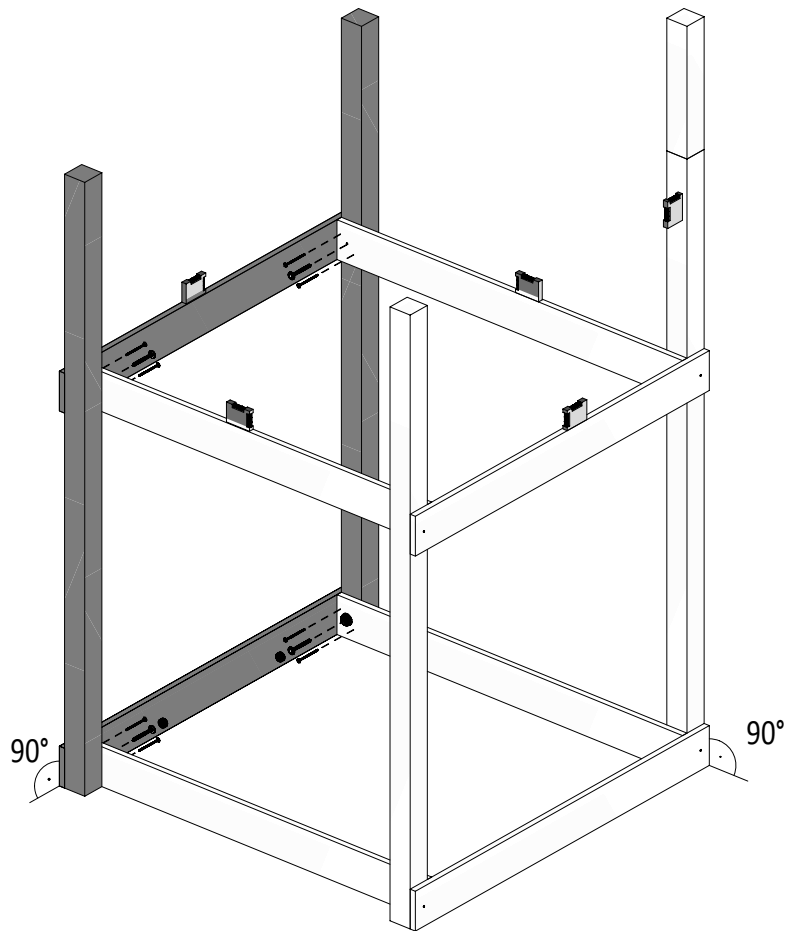
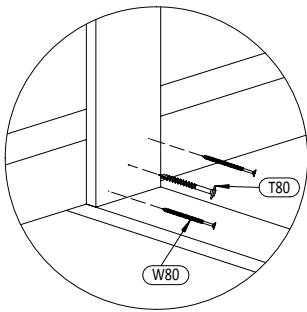
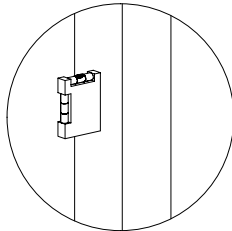
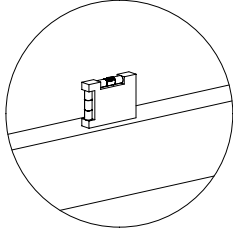
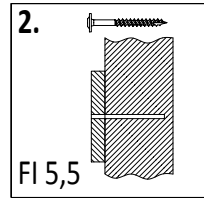
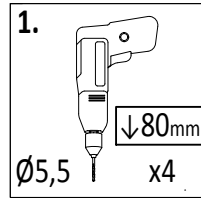


**T80** x4

**P-10a** 1,8x12,0x120cm  
x2



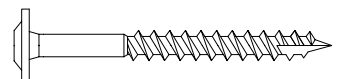
22



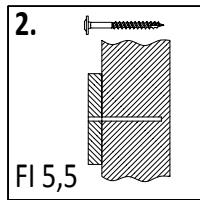
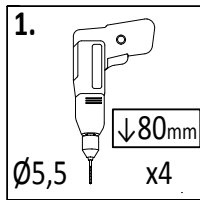
**OS1** x2



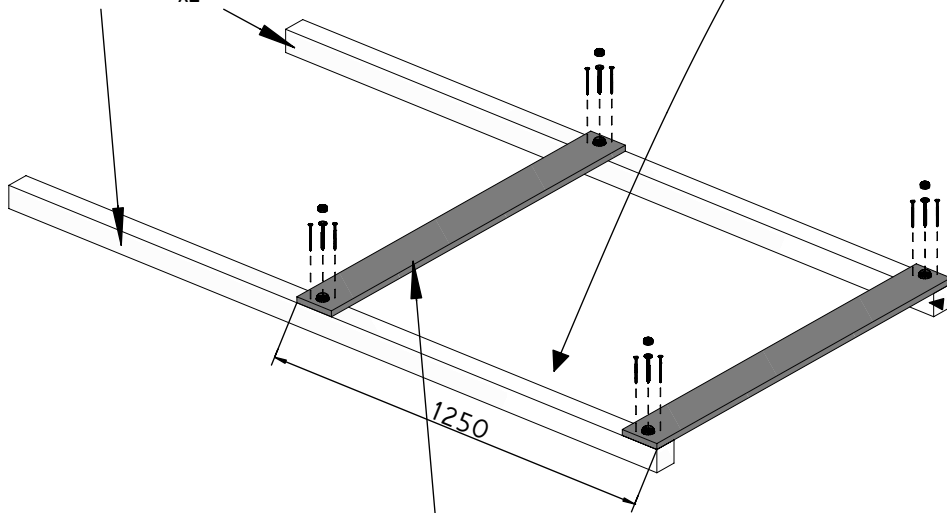
**W80** x8



**T80** x4



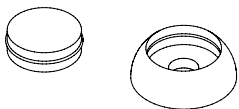
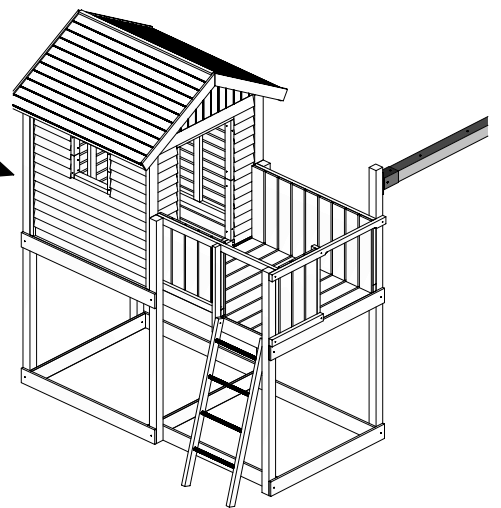
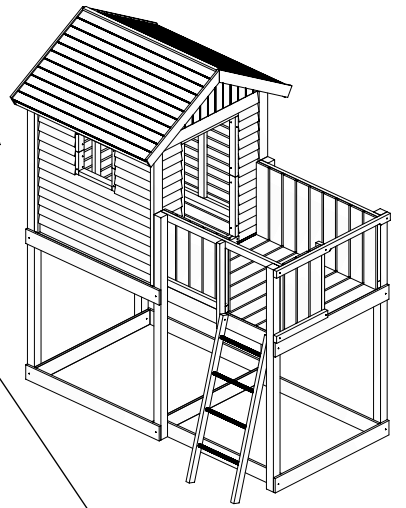
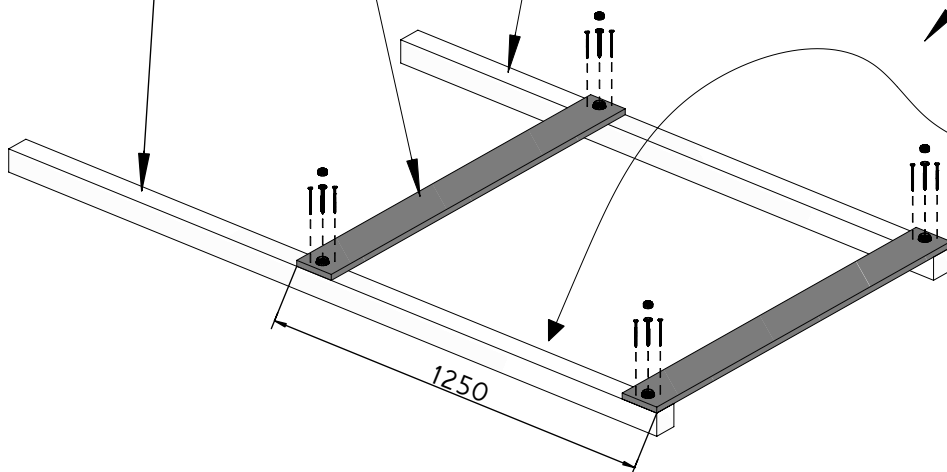
**P-1** 7,0x7,0x225cm x2



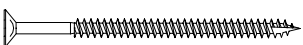
**P-10a** 1,8x12,0x120cm x2

**P-2** 7,0x7,0x185cm x1

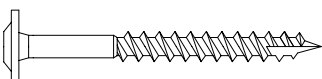
**P-1** 7,0x7,0x225cm x1



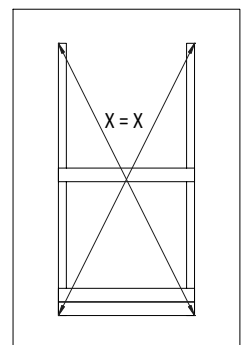
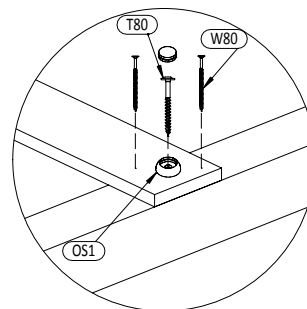
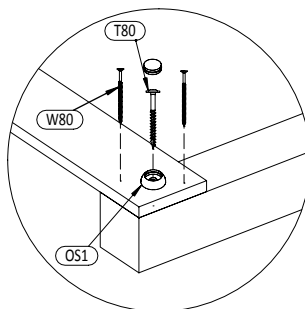
**OS1** x4

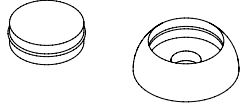
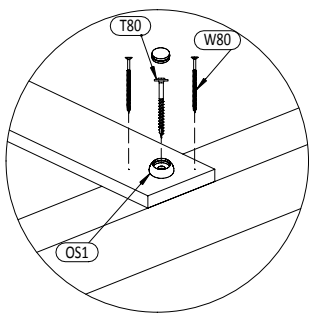
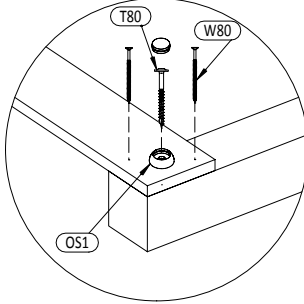
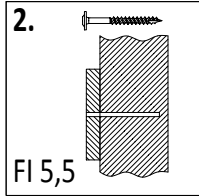
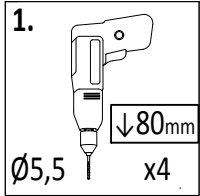
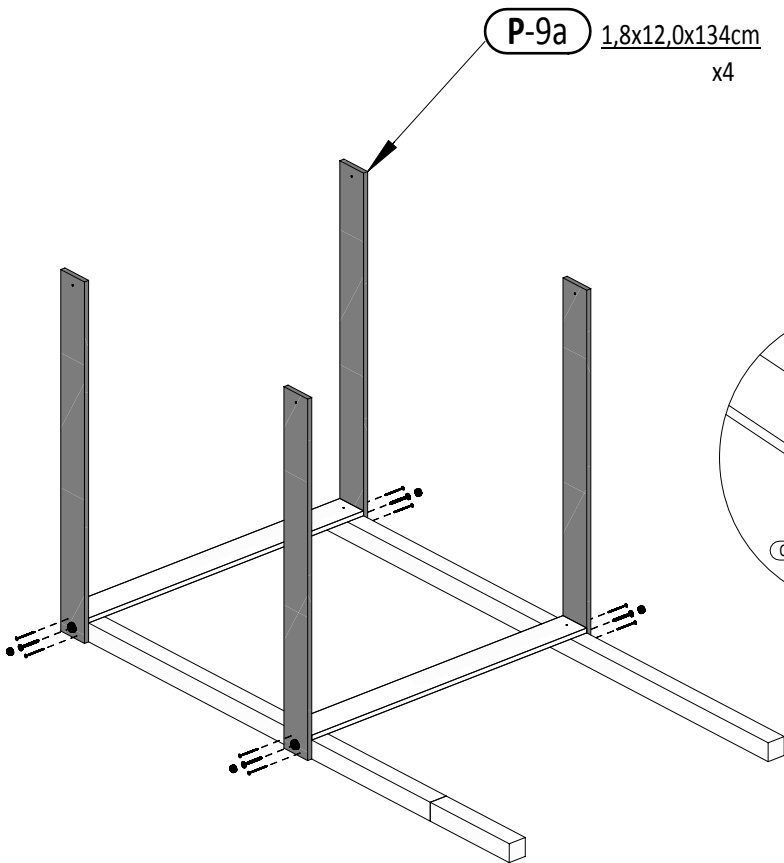


**W80** x8

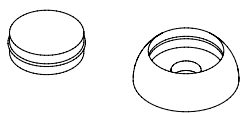
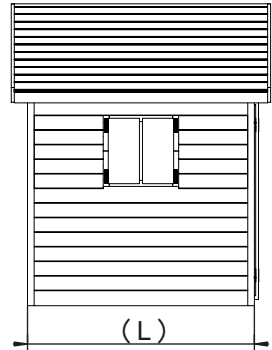
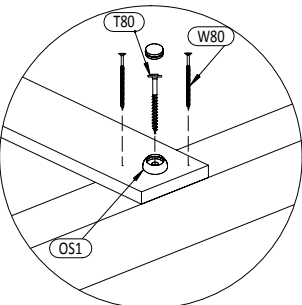
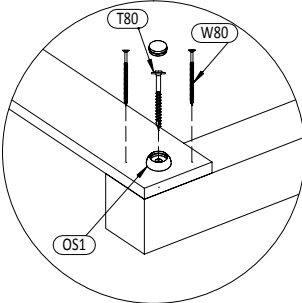
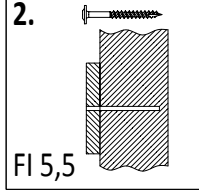
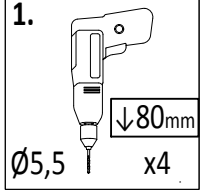
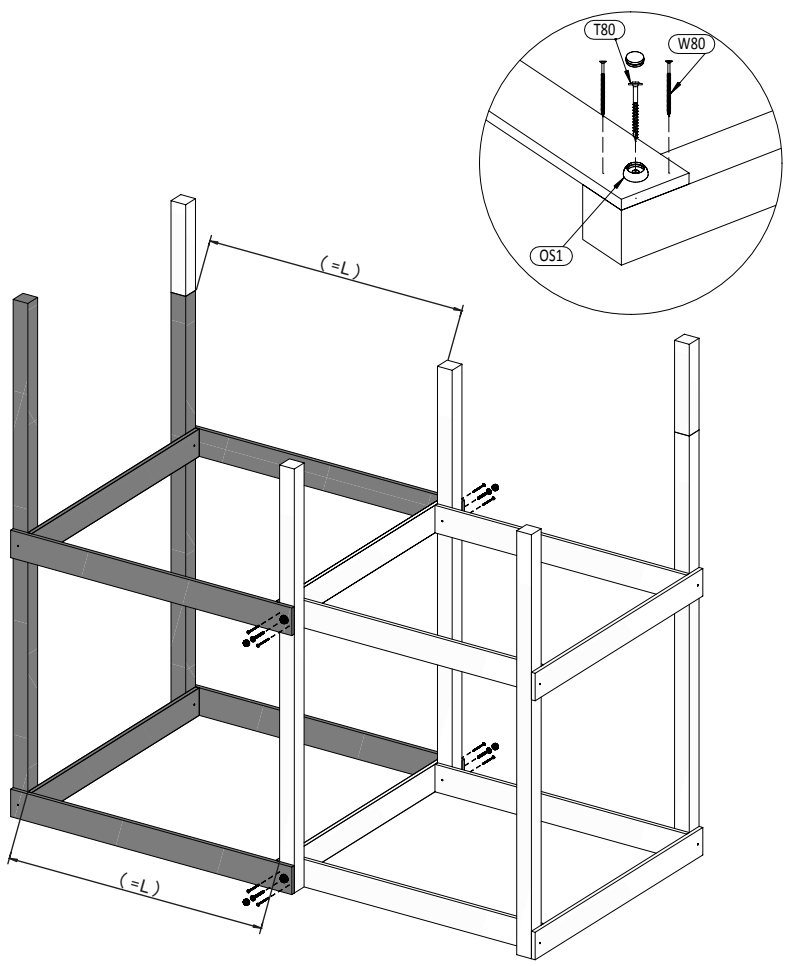
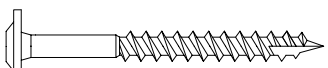
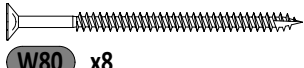


**T80** x4

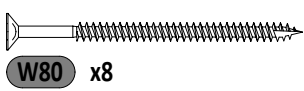




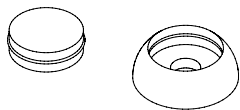
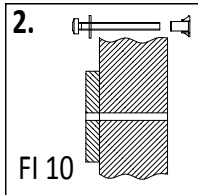
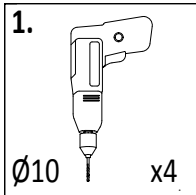
**OS1** x4



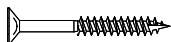
**OS1** x4



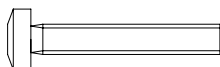
29



OS1 x4



W40 x4



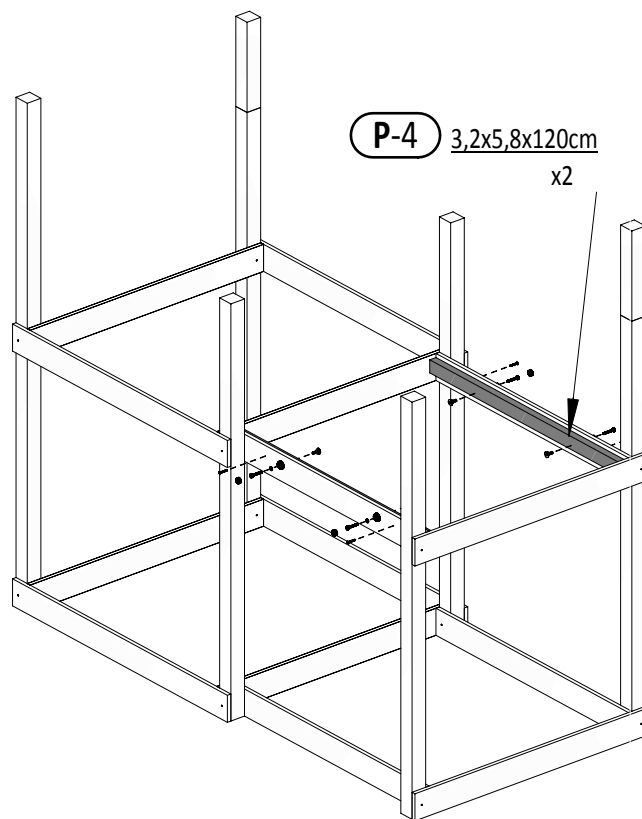
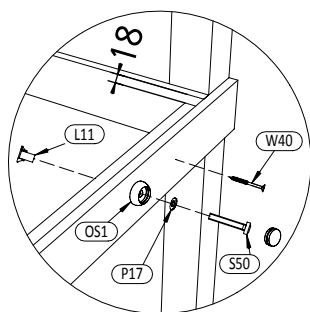
S50 x4



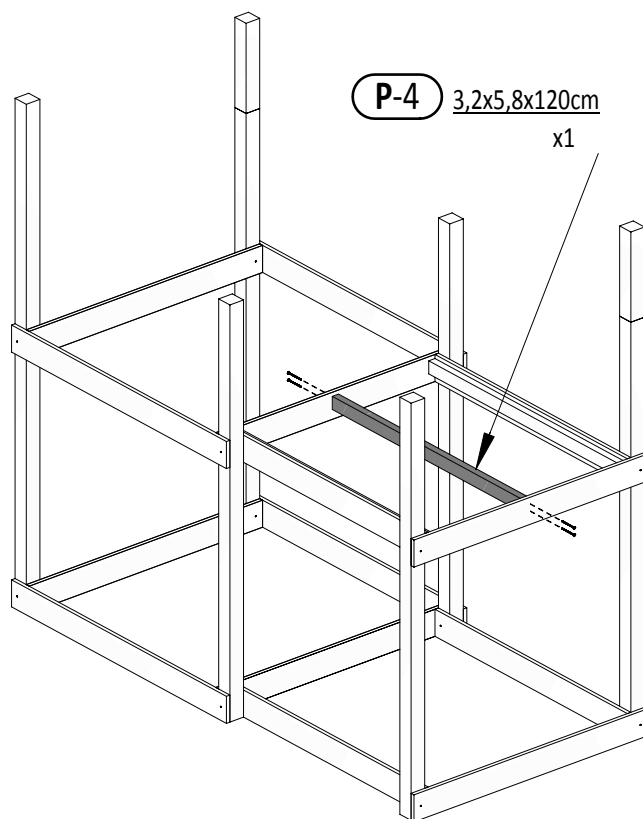
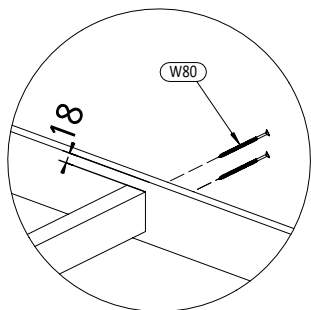
P17 x4



L11 x4

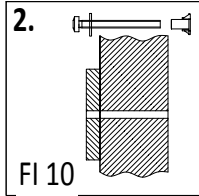
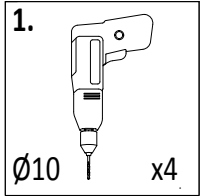


30

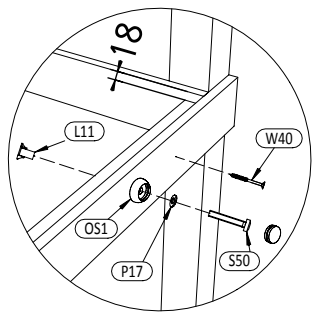
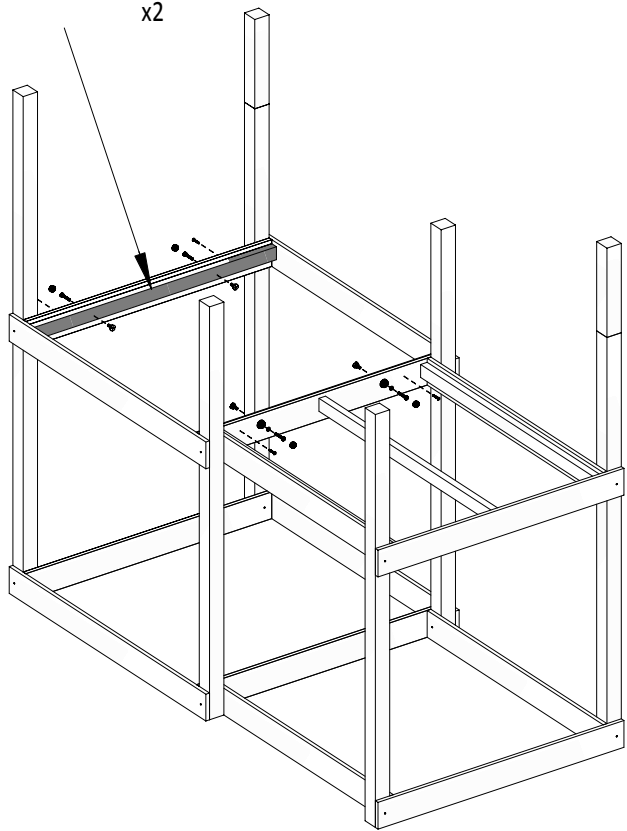



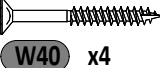
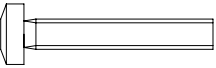

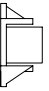
W80 x4

26

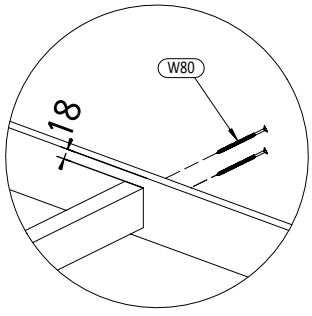
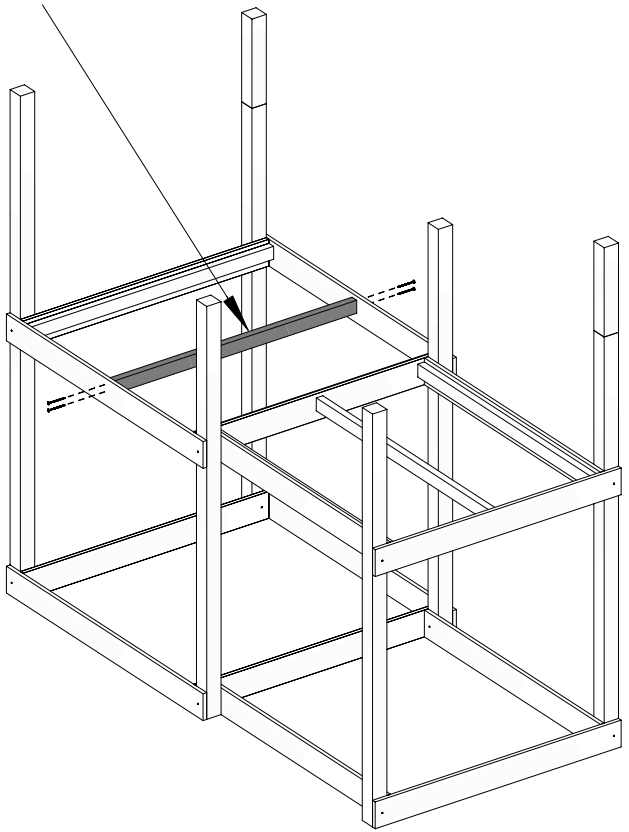


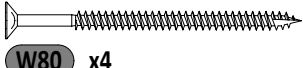
**P-4** 3,2x5,8x120cm x2



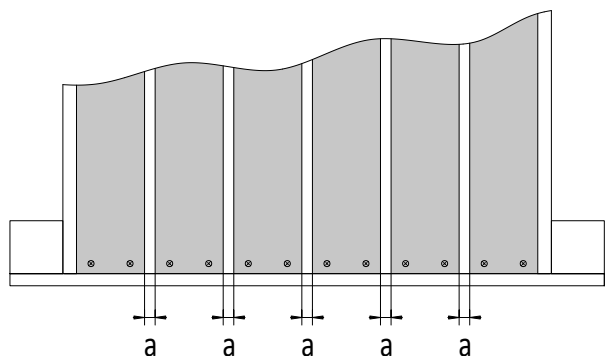
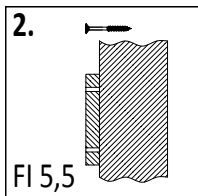
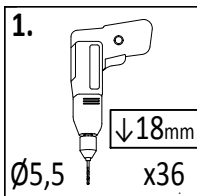
-  OS1 x4
-  W40 x4
-  S50 x4
-  P17 x4
-  L11 x4

**P-4** 3,2x5,8x120cm x1

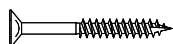
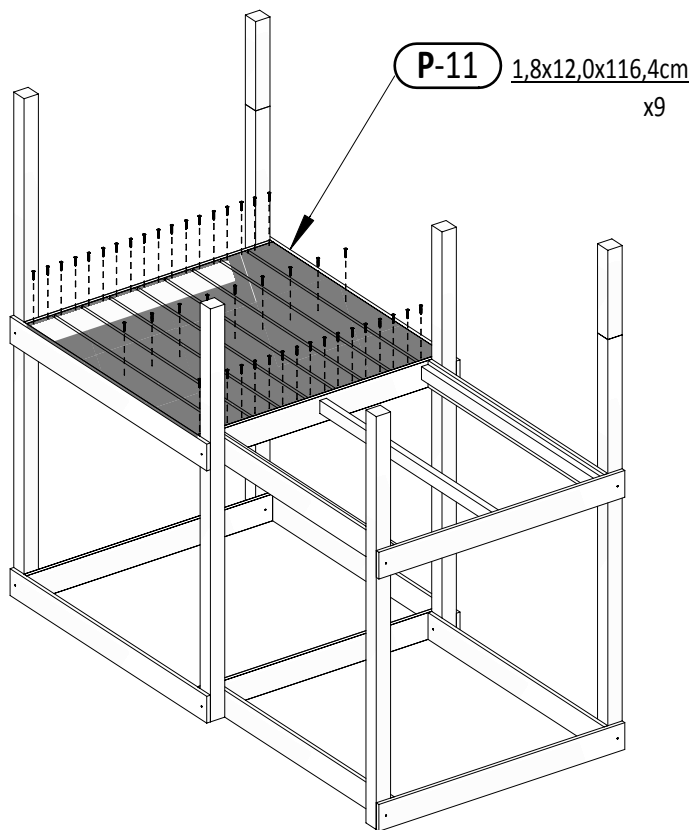


-  W80 x4

33

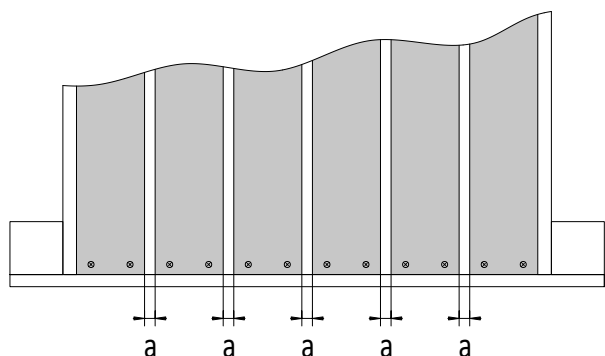
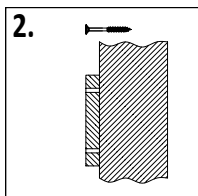
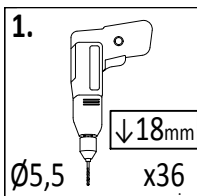


!!!min 13mm < **a** <!!!max 16mm

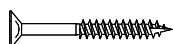
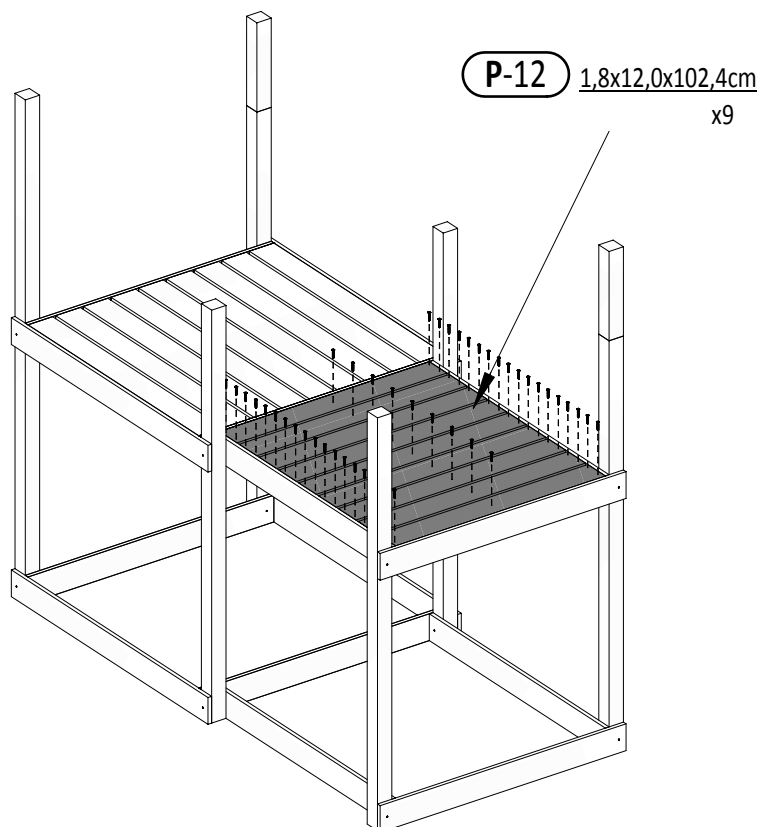


**W40** x45

34



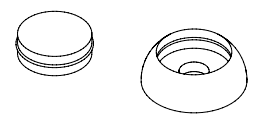
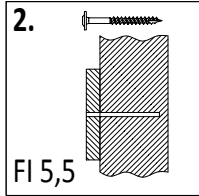
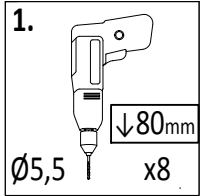
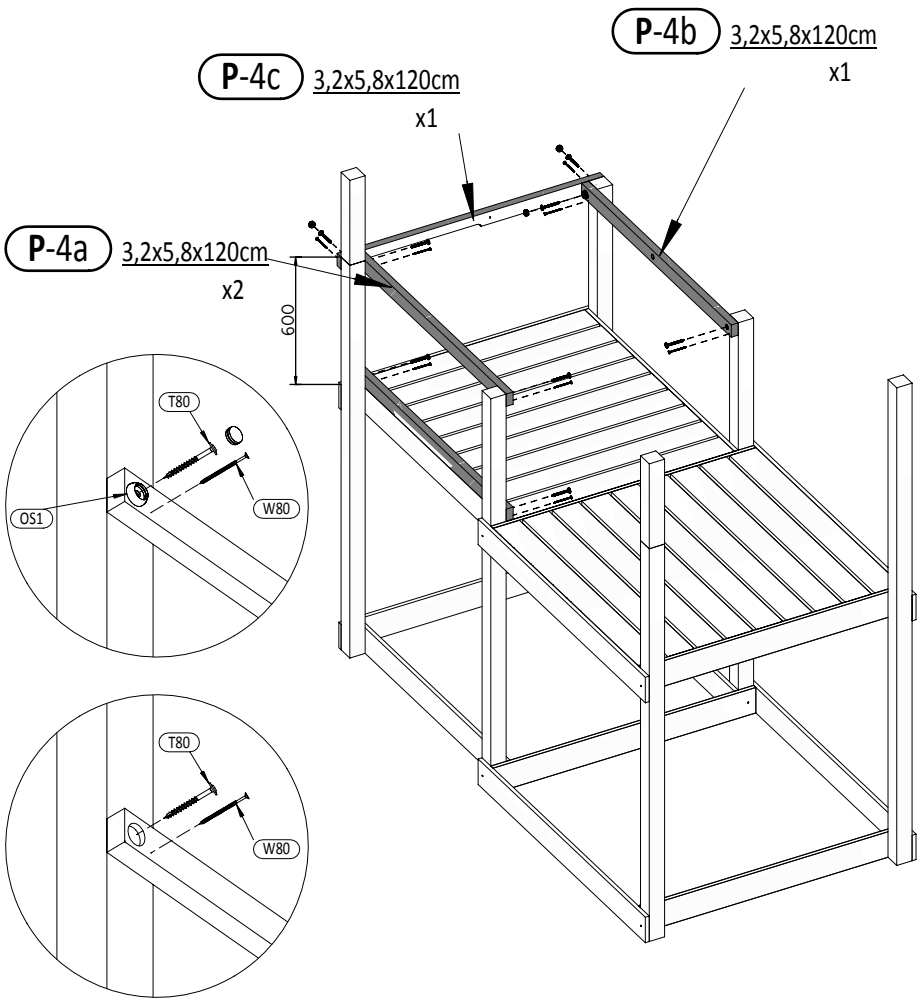
!!!min 13mm < **a** <!!!max 16mm



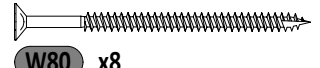
**W40** x45

28

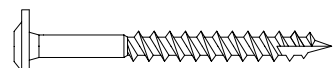




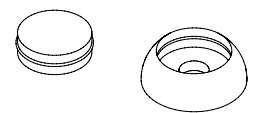
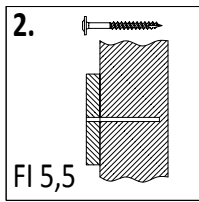
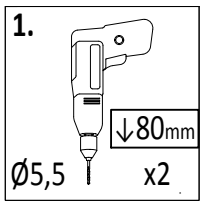
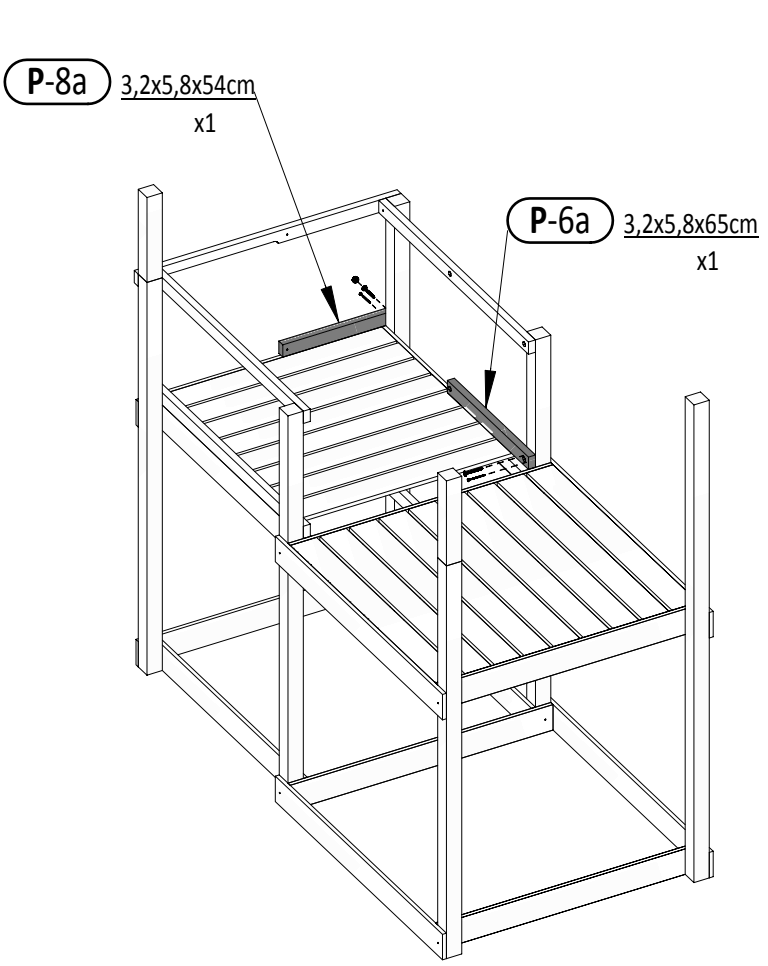
OS1 x3



W80 x8



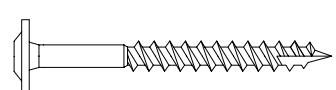
T80 x8



OS1 x1

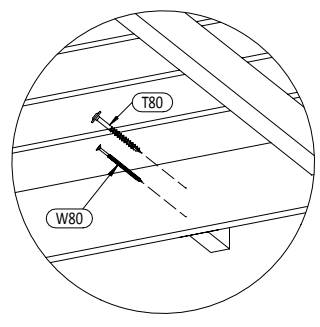
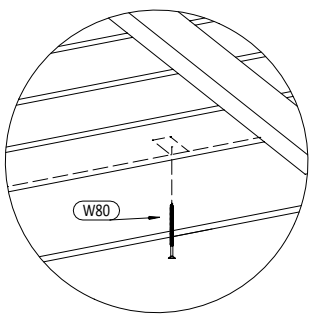
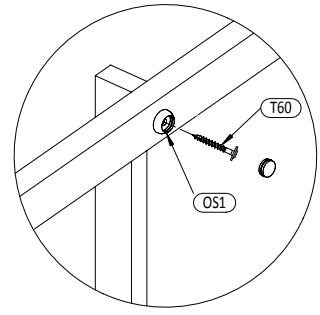
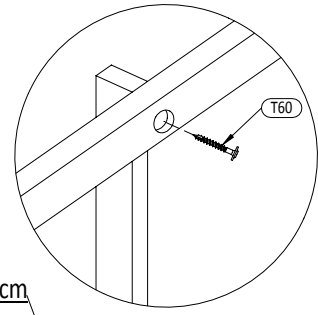
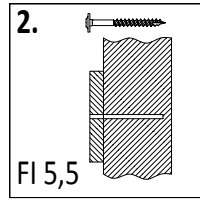
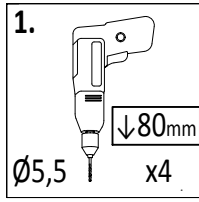


W80 x2



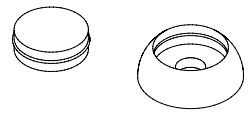
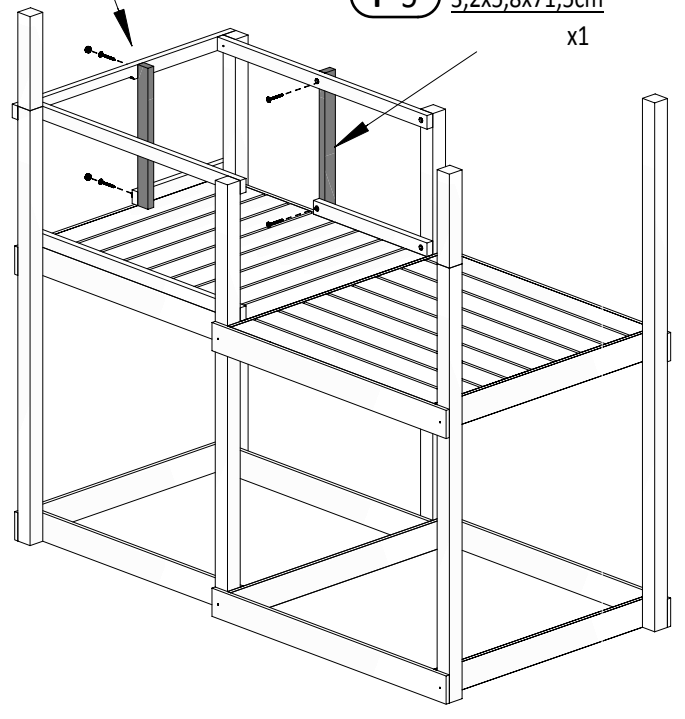
T80 x2

37

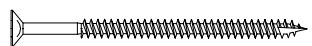


**P-7** 3,2x5,8x60cm  
x1

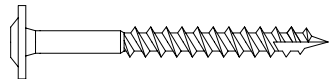
**P-5** 3,2x5,8x71,5cm  
x1



**OS1** x2

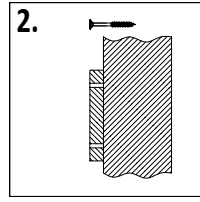
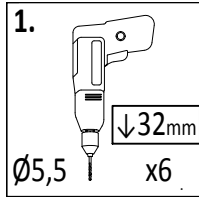


**W80** x2



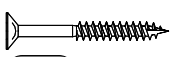
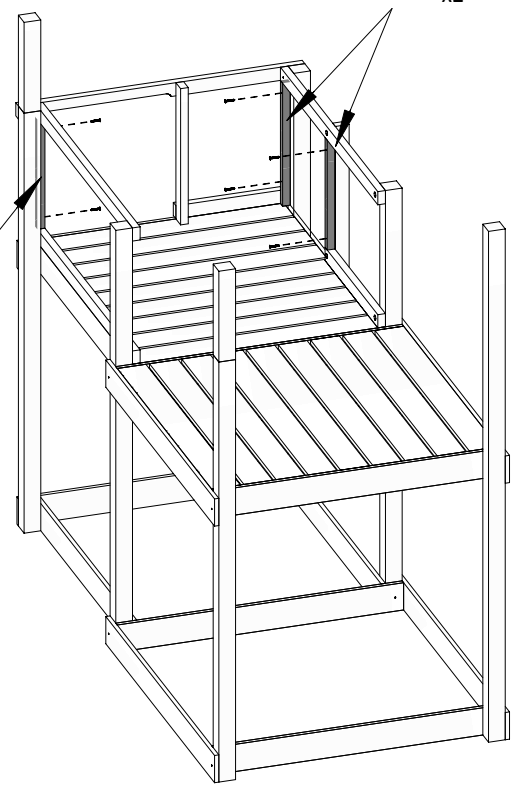
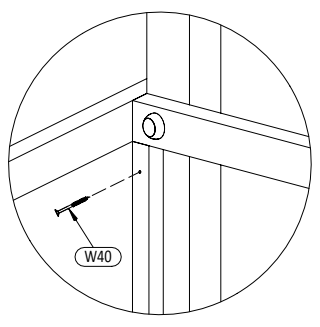
**T80** x5

38



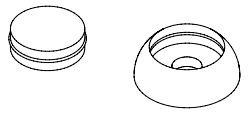
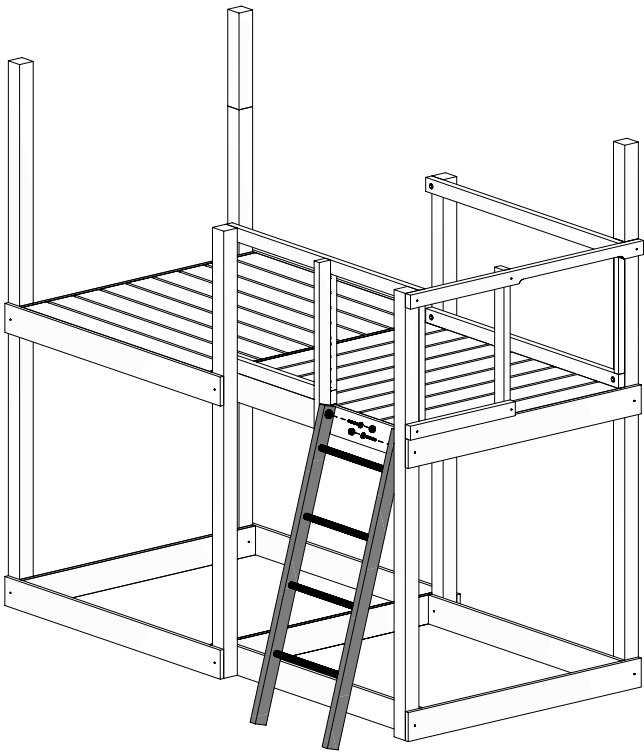
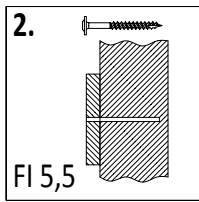
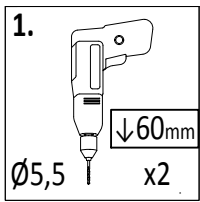
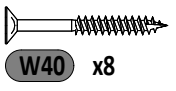
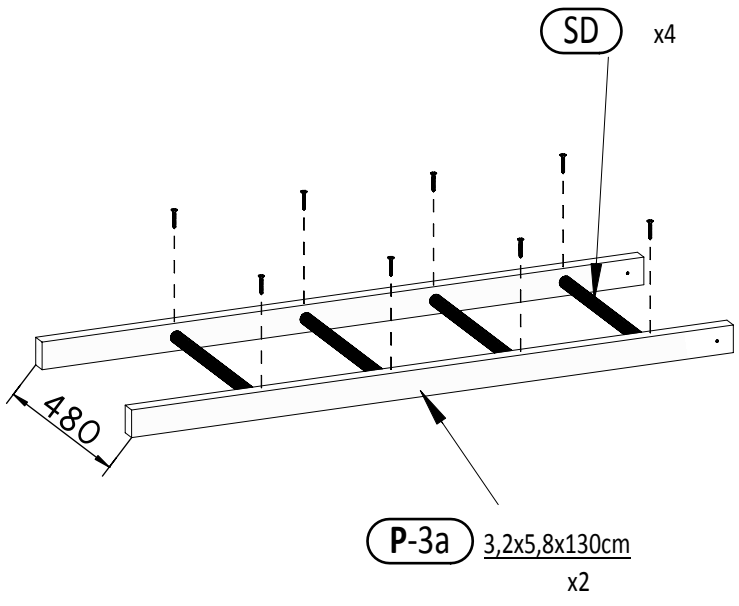
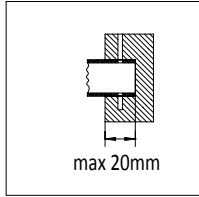
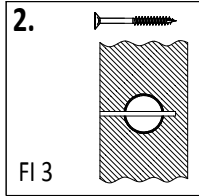
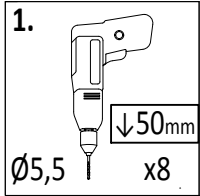
**P-15** 3,2x2,7x48,4cm  
x2

**P-14** 3,2x2,7x54,2cm  
x1



**W40** x6

30

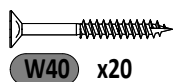
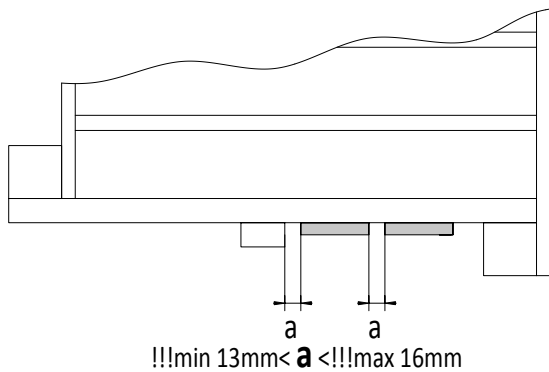
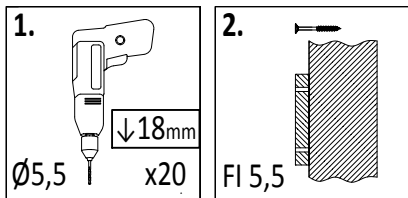


OS1 x2

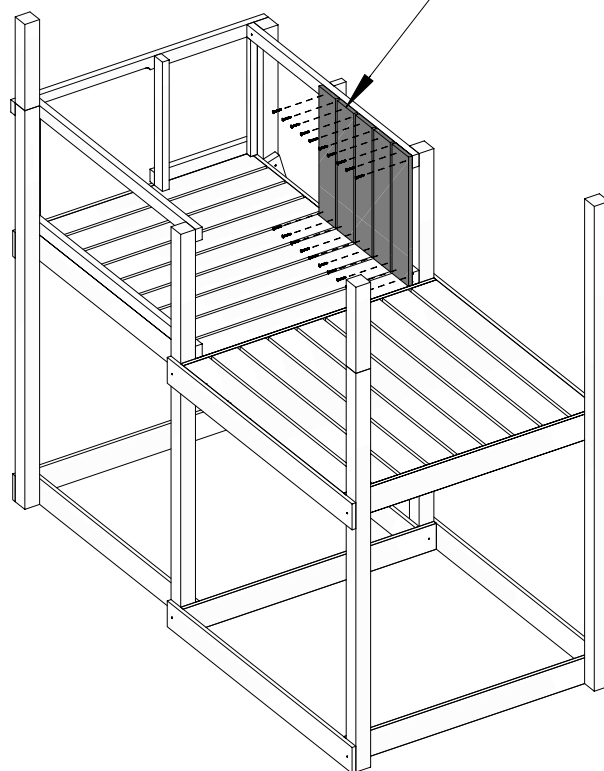


T60 x2

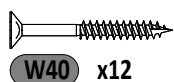
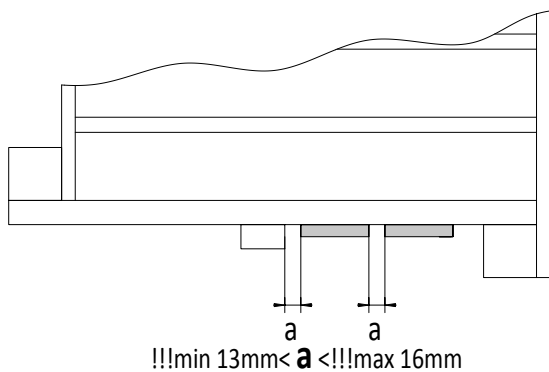
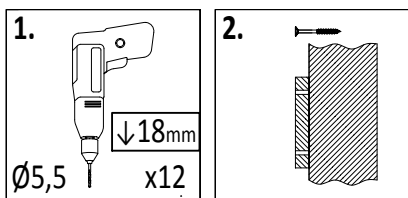
41



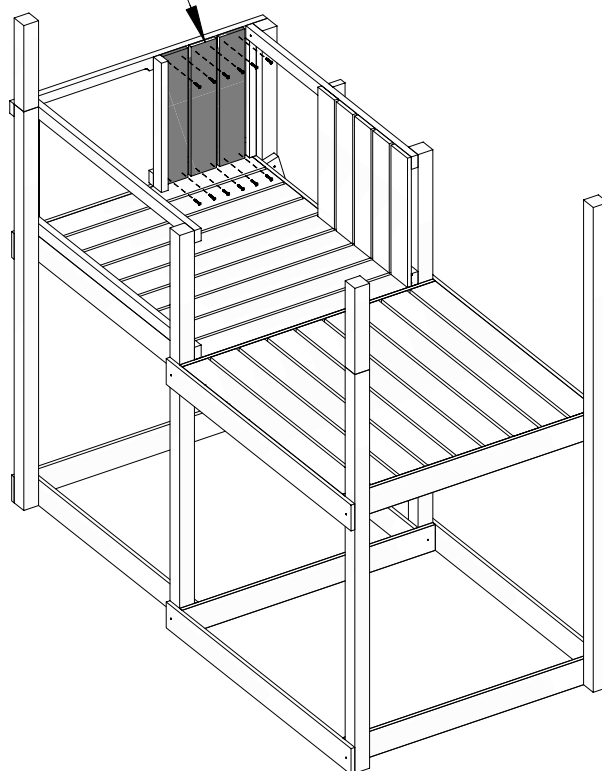
P-13 1,8x12x60cm  
x5



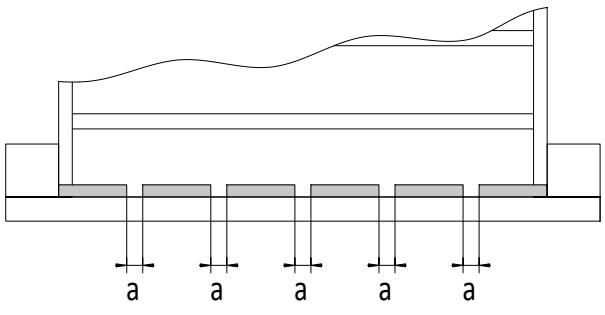
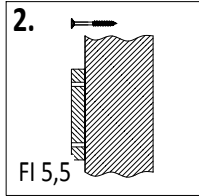
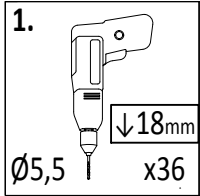
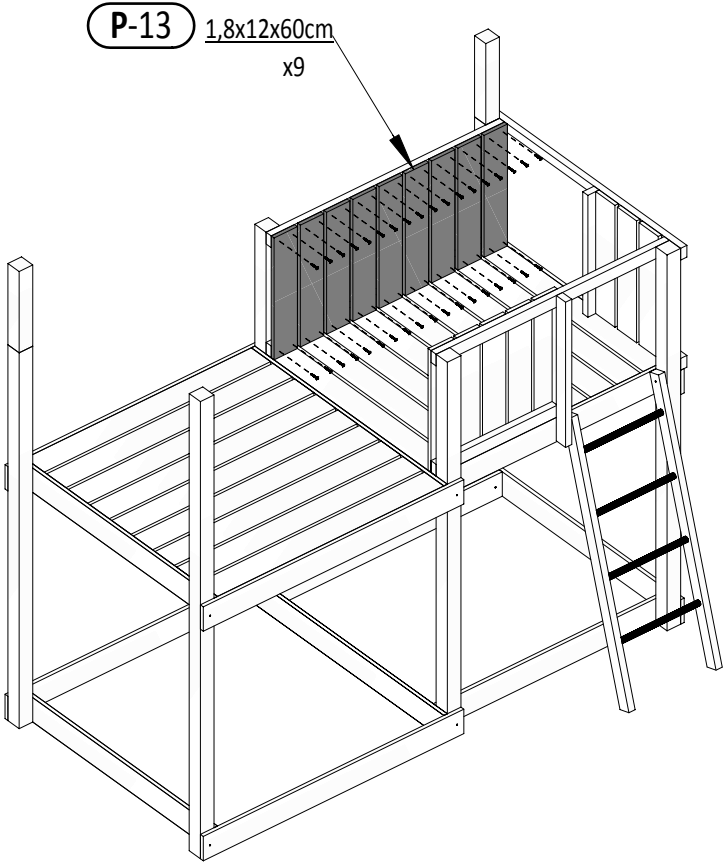
42



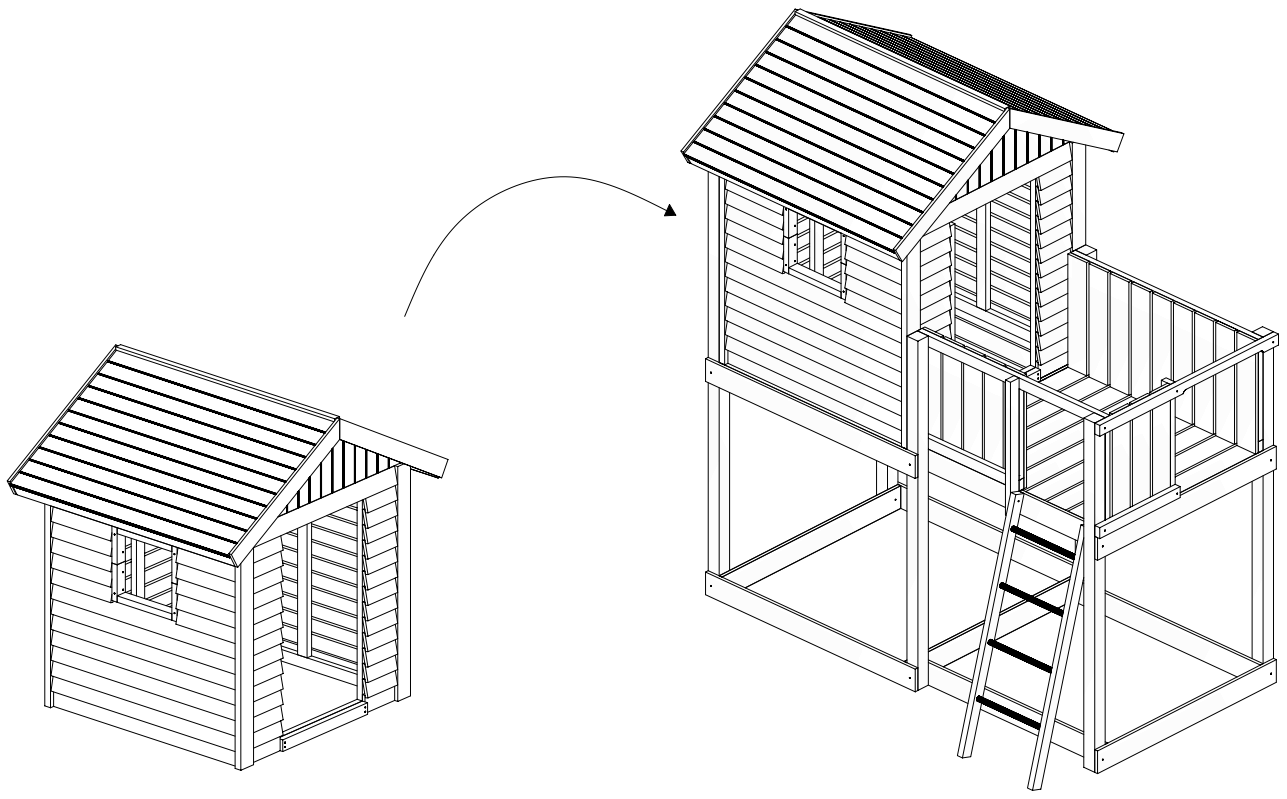
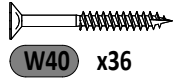
P-13 1,8x12x60cm  
x3

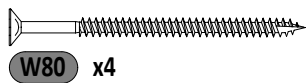
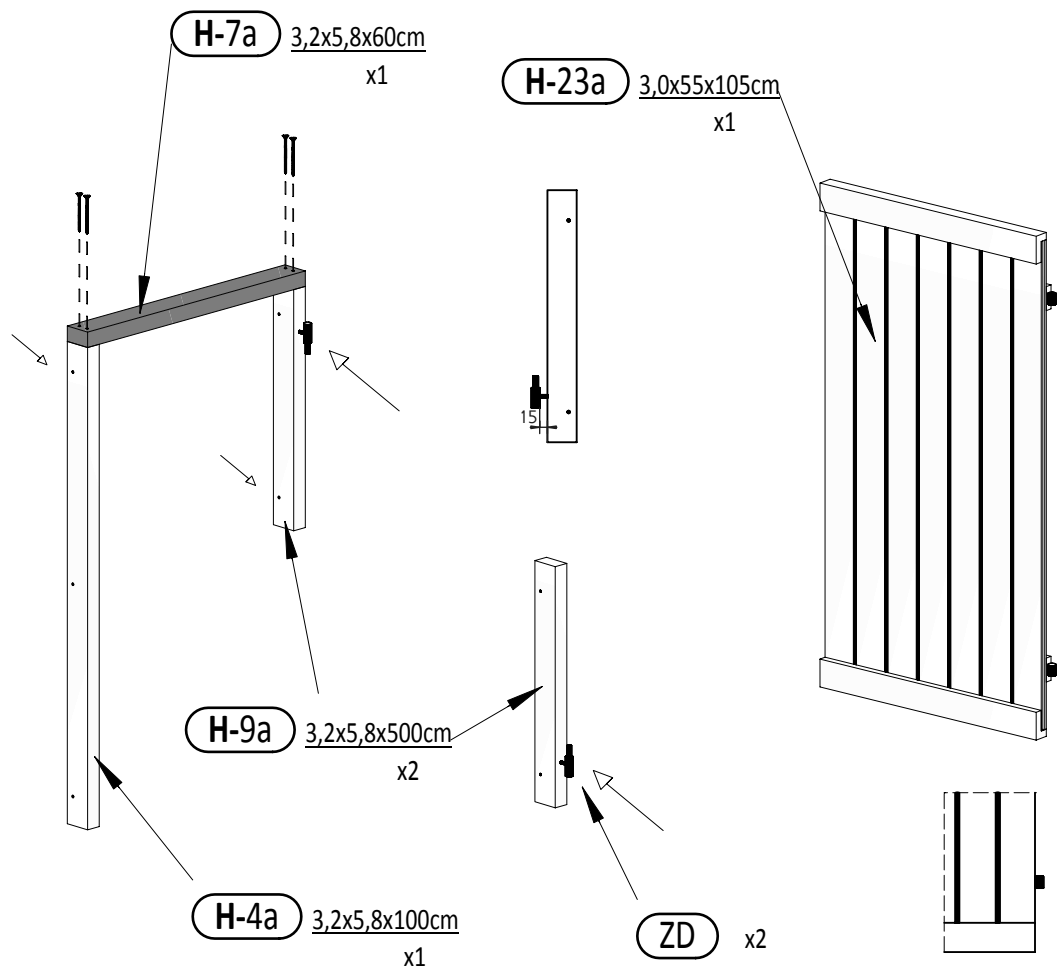
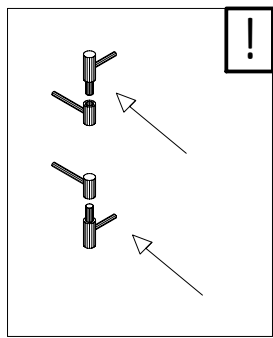
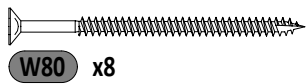
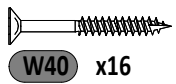
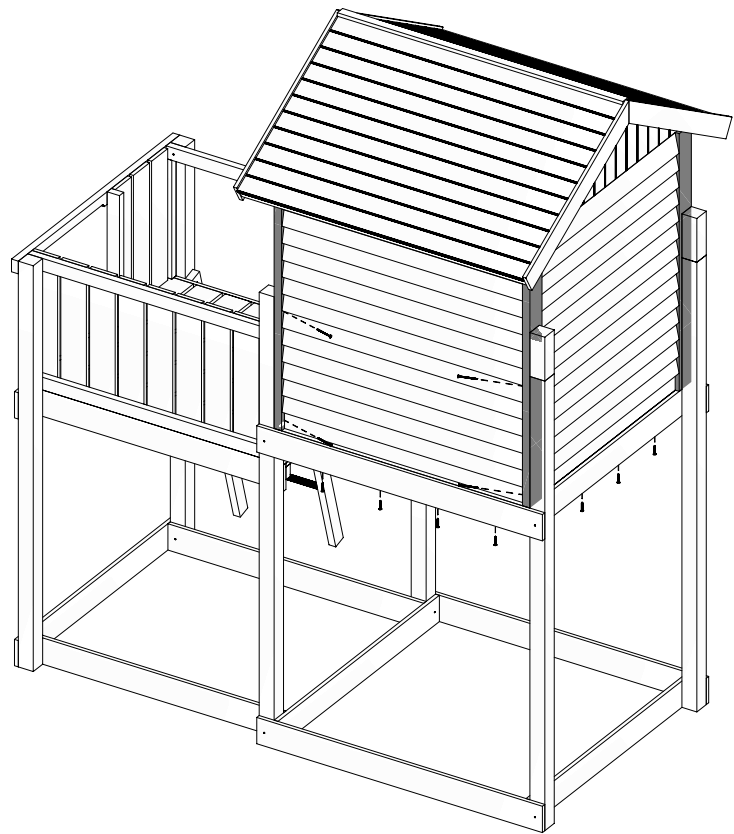
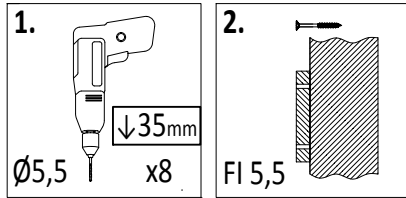


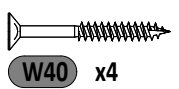
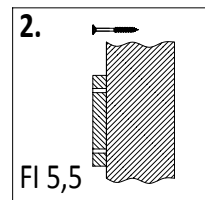
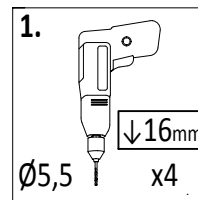
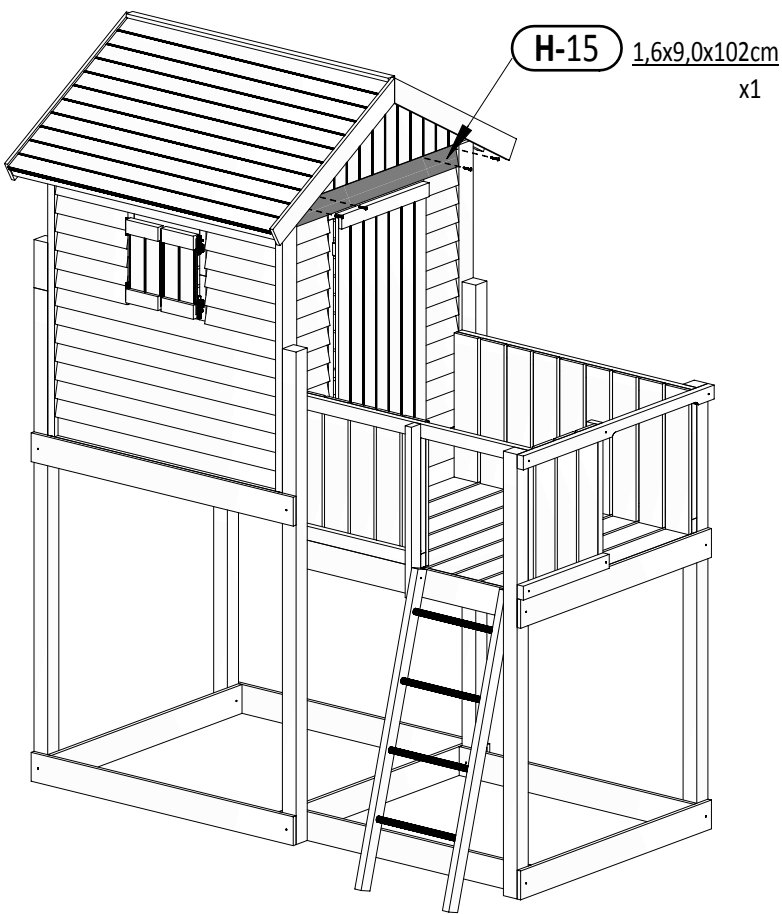
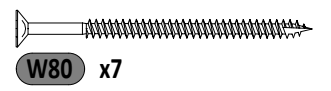
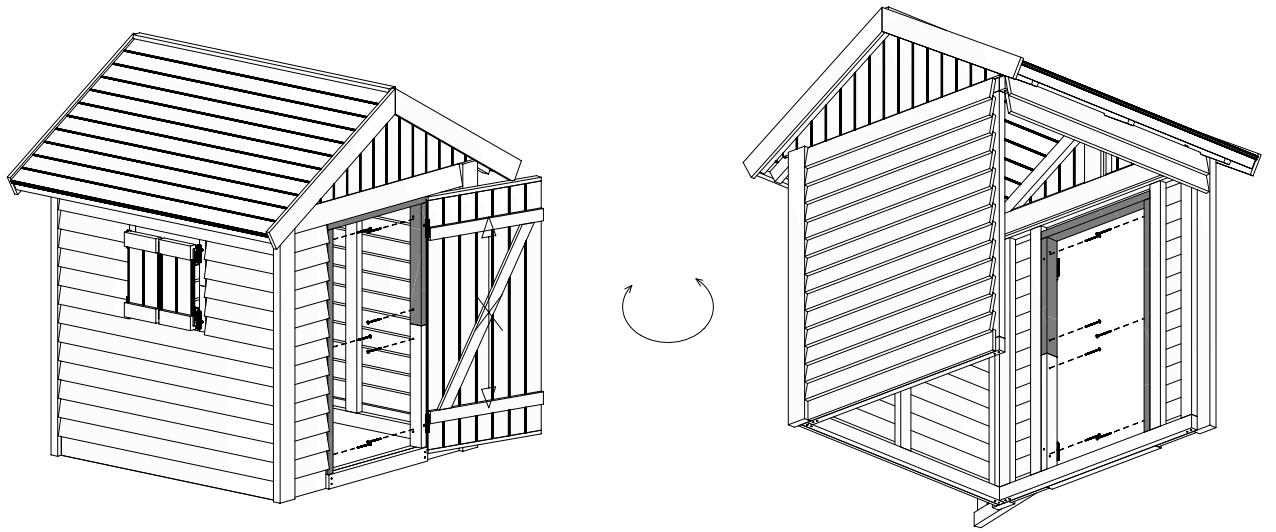
32



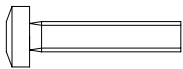
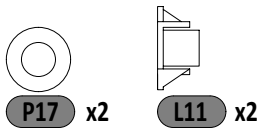
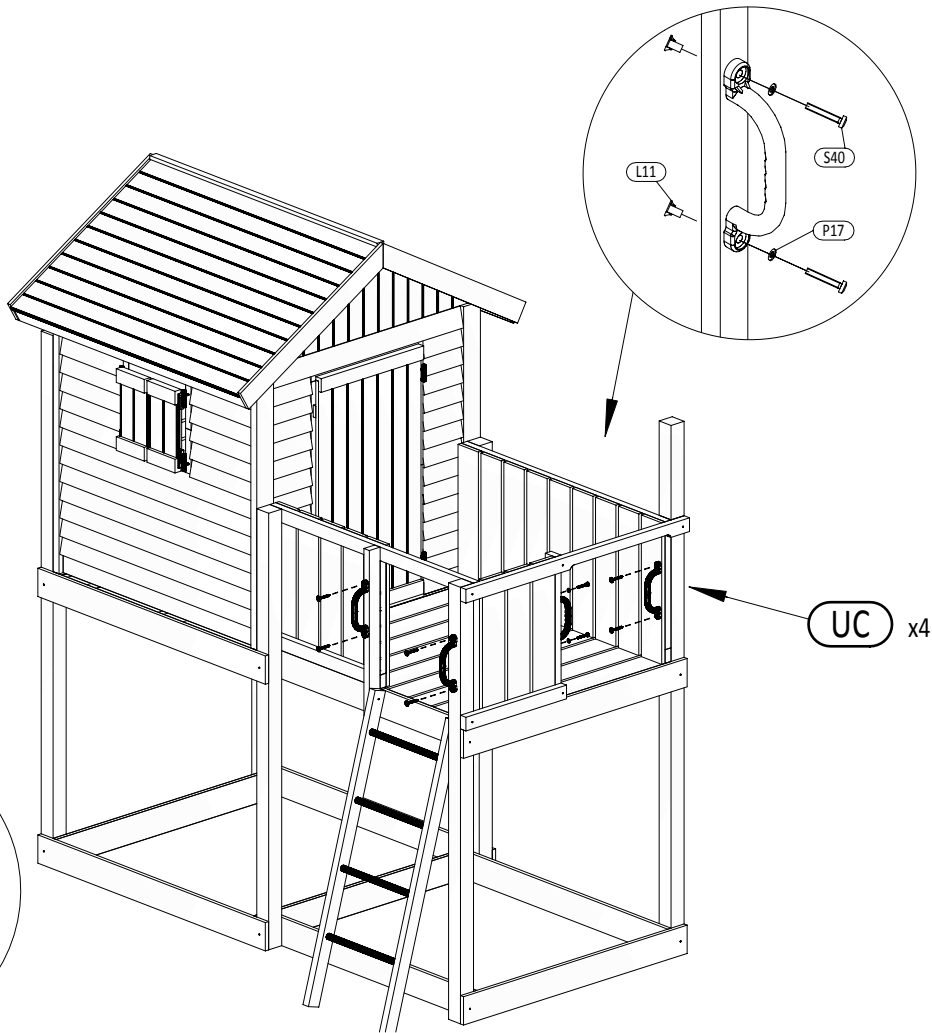
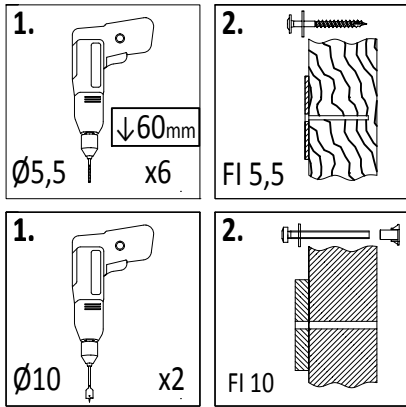
!!!min 13mm < a <!!!max 16mm



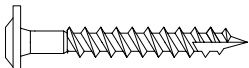




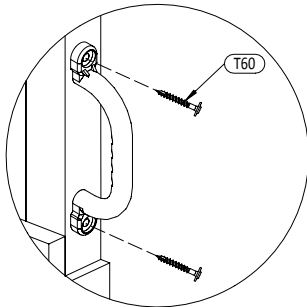
49



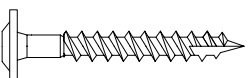
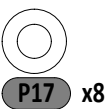
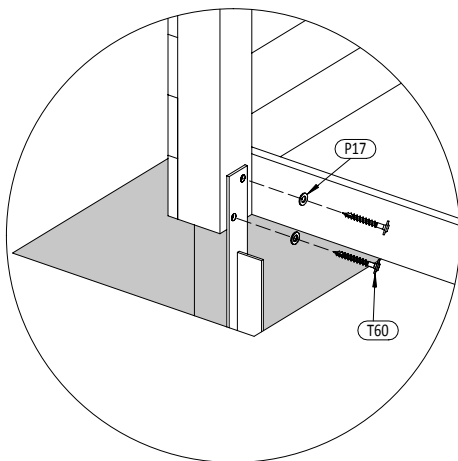
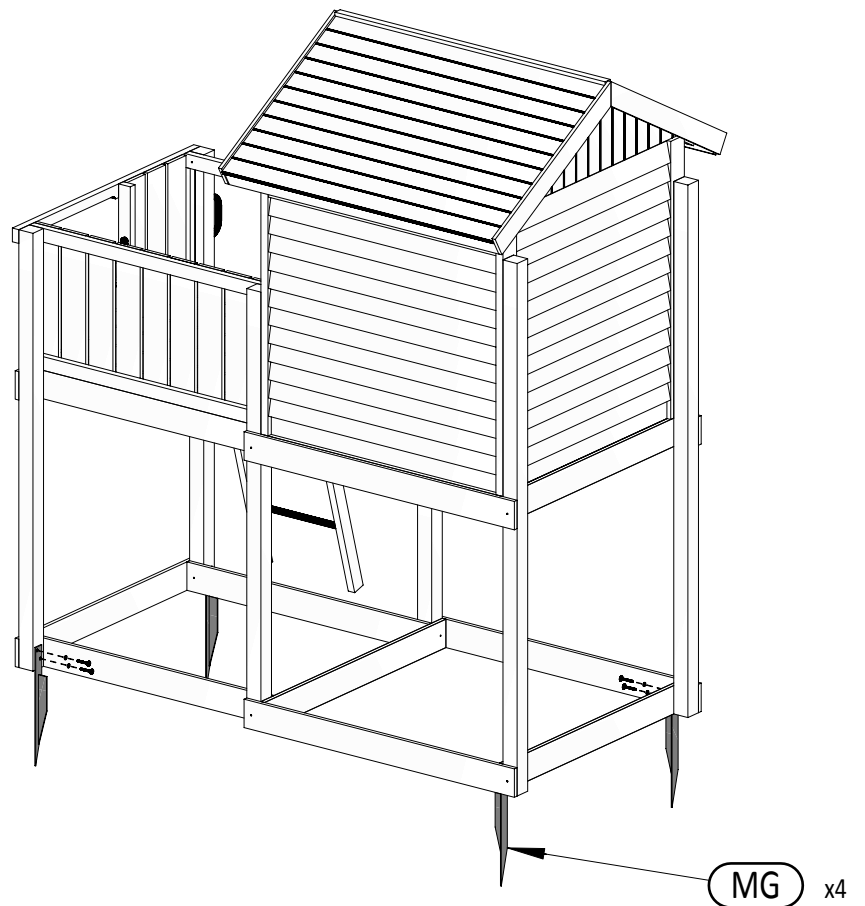
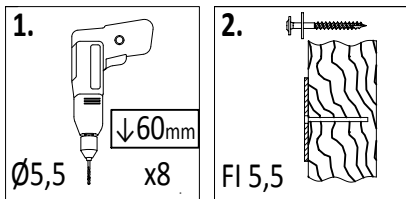
S40 x2



T60 x6



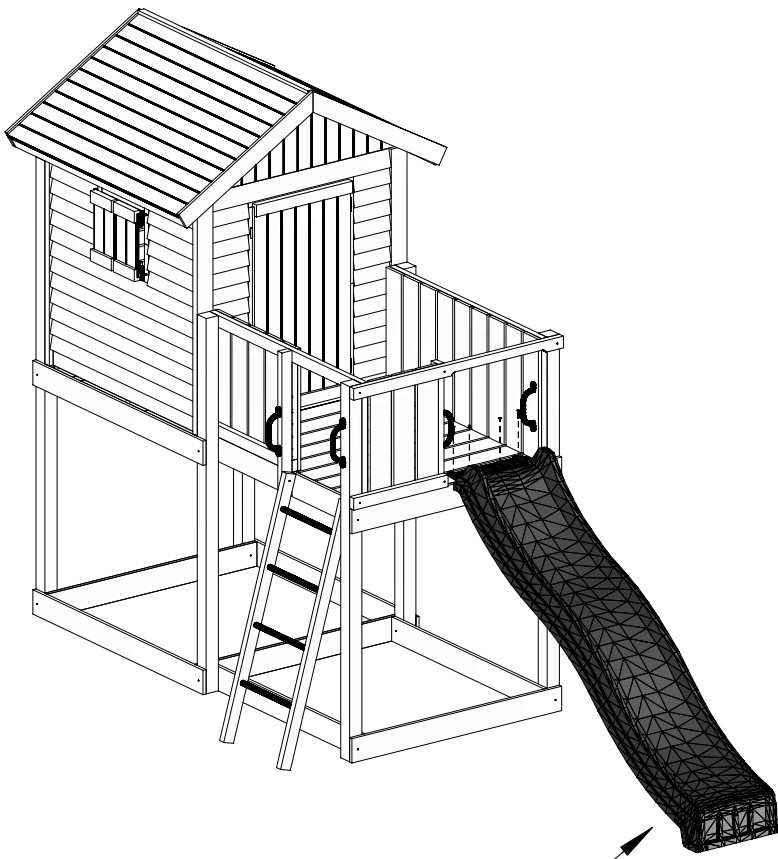
50



T60 x8

36





Z x1

