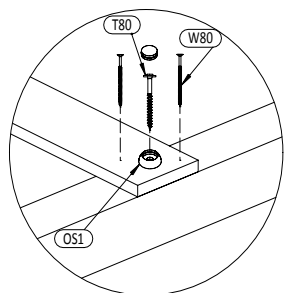
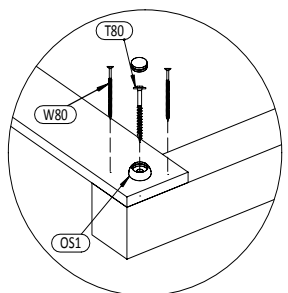
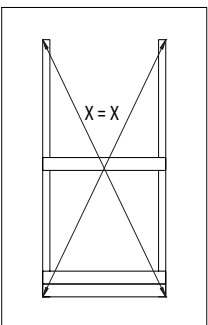
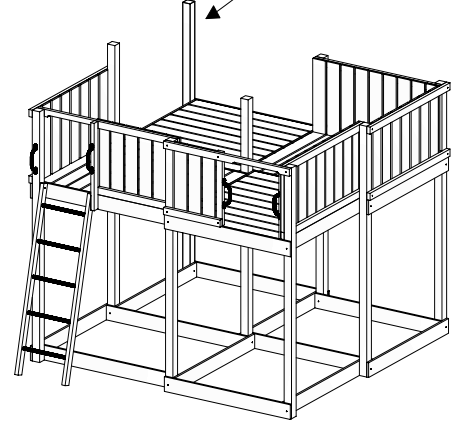
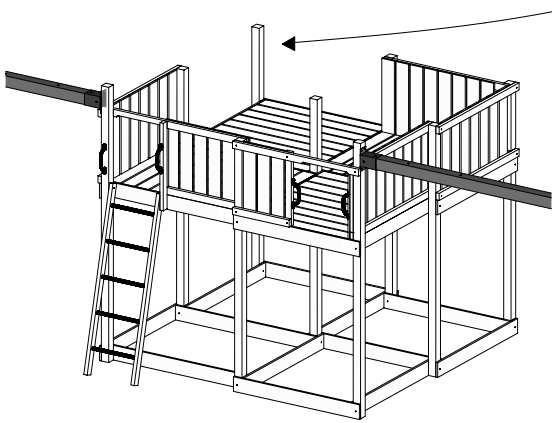
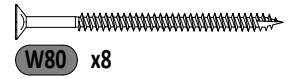


P-2 7,0x7,0x205cm x1

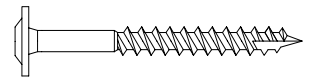
P-1 7,0x7,0x225cm x1



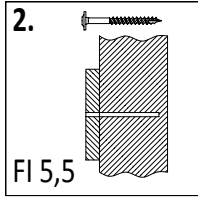
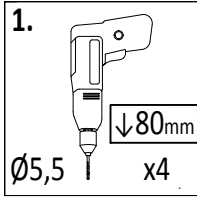
OS1 x4



W80 x8

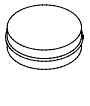
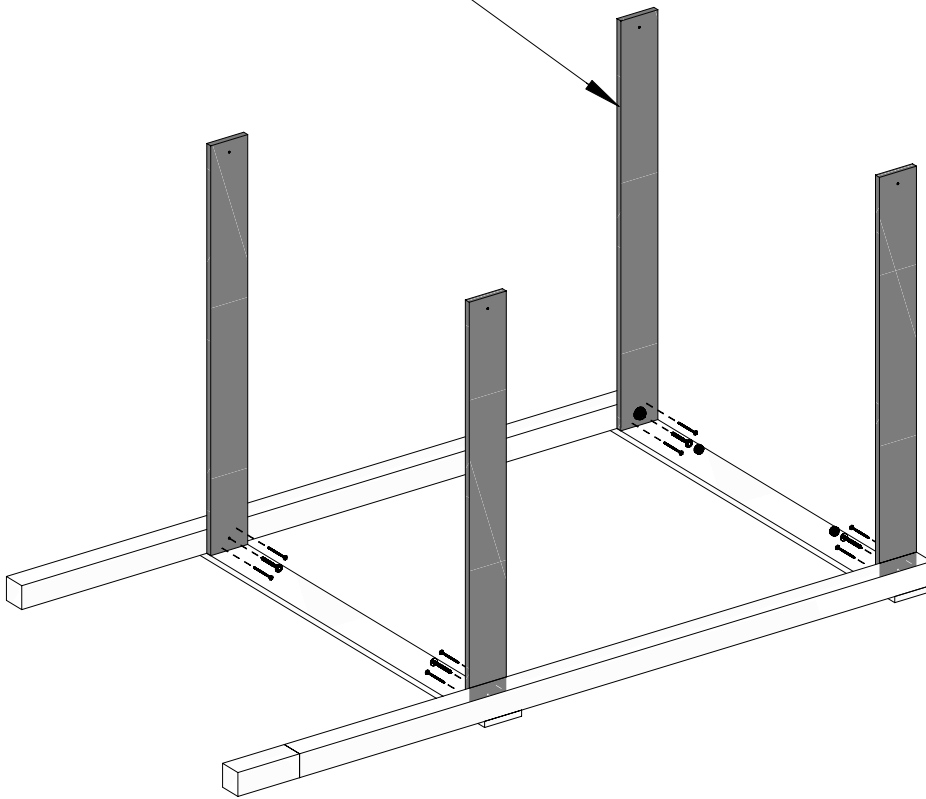


T80 x4



P-11a 1,8x12,0x120cm

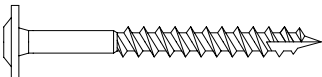
x4



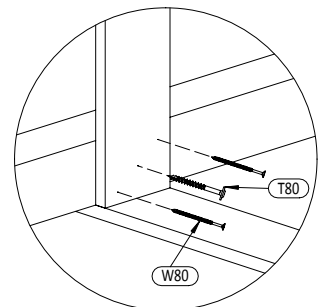
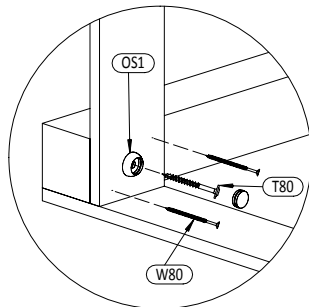
OS1 x2

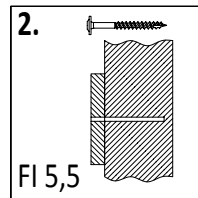
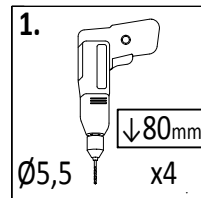
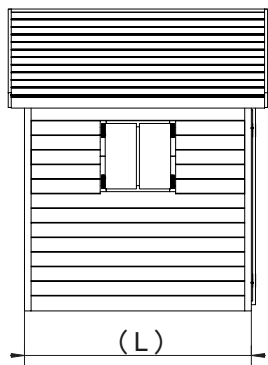


W80 x8

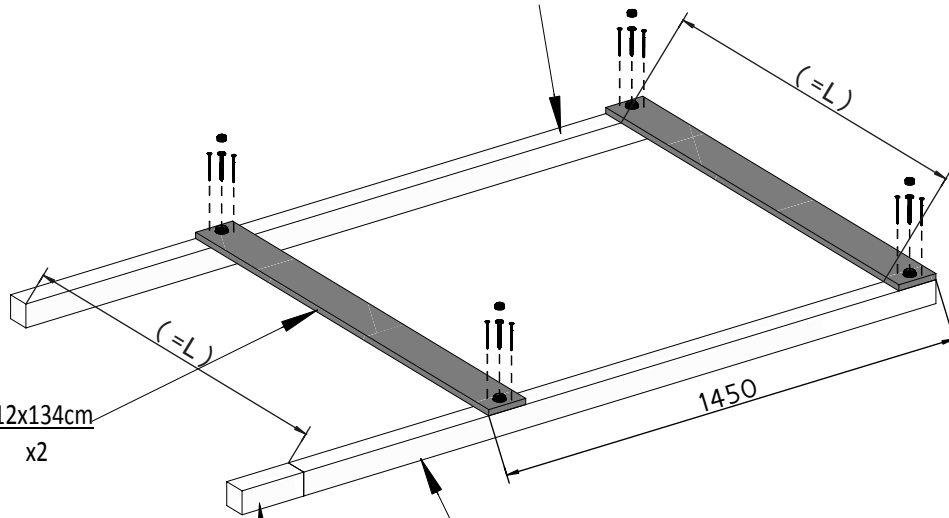


T80 x4





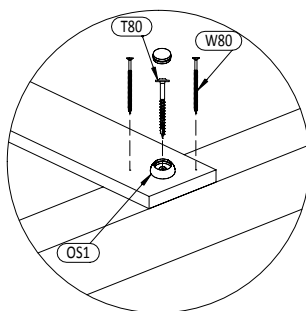
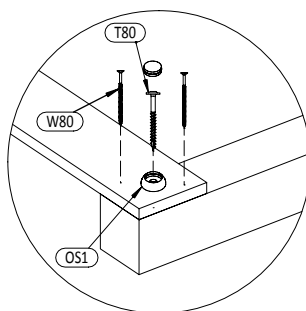
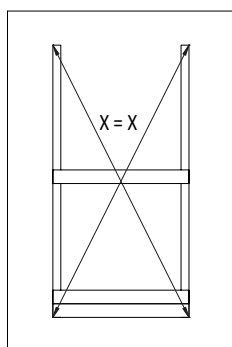
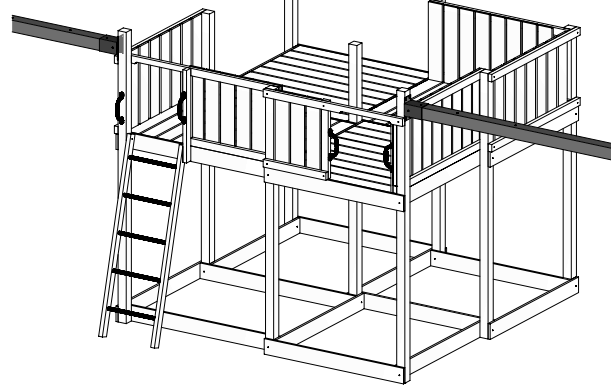
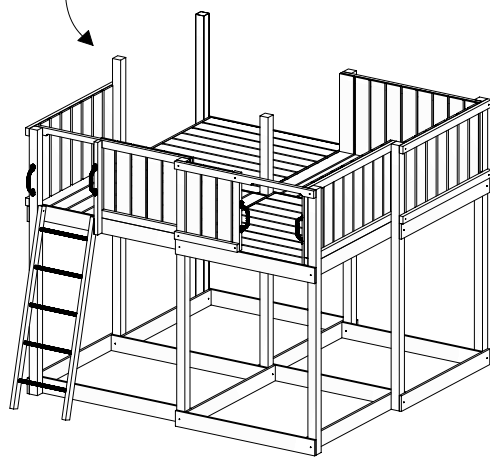
P-2 7,0x7,0x205cm x1



P-10a 1,8x12x134cm x2

P-1 7,0x7,0x225cm x1

P-2 7,0x7,0x205cm x1



OS1 x4

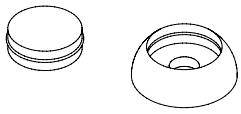
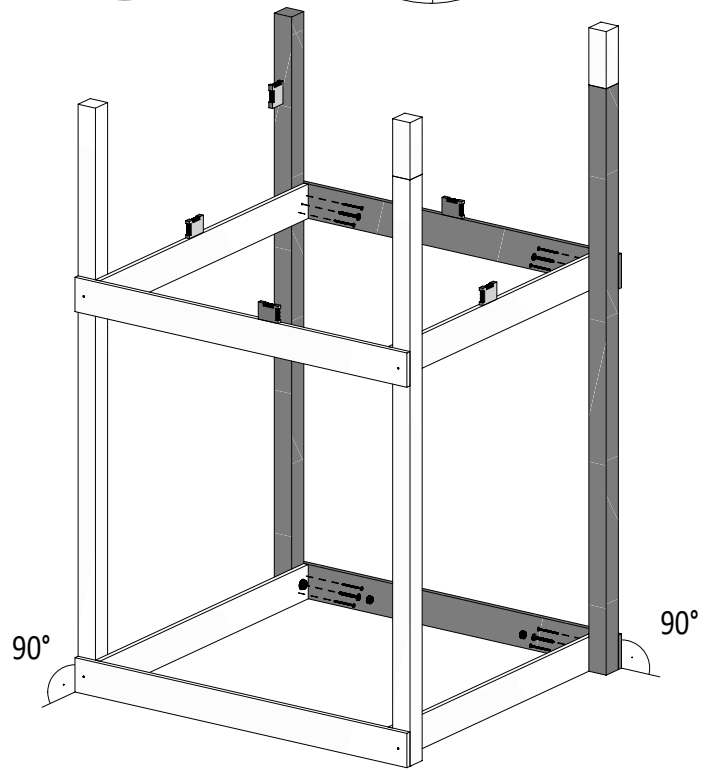
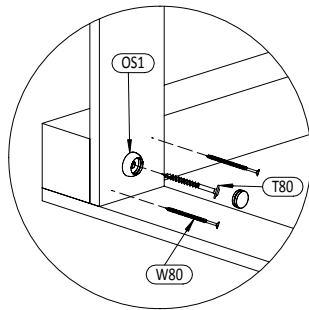
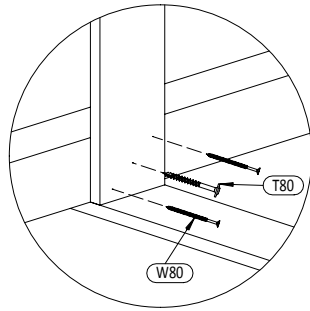
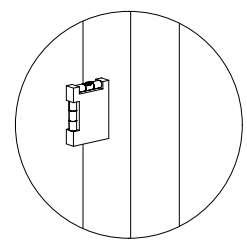
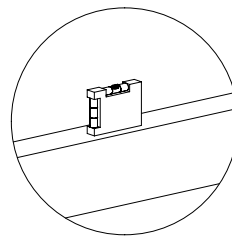
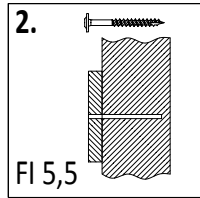
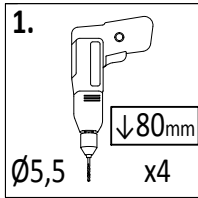


W80 x8

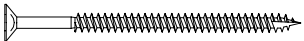


T80 x4

25



OS1 x2

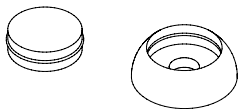
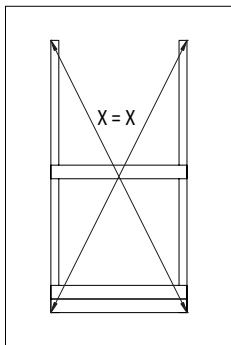
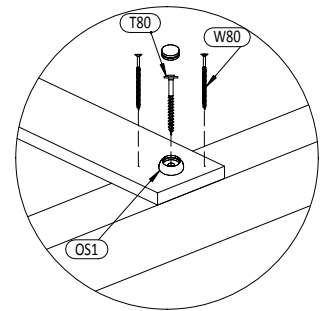
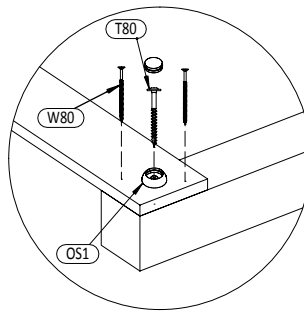
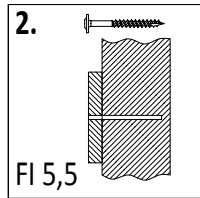
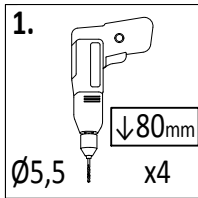


W80 x8

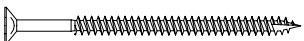


T80 x4

26



OS1 x4



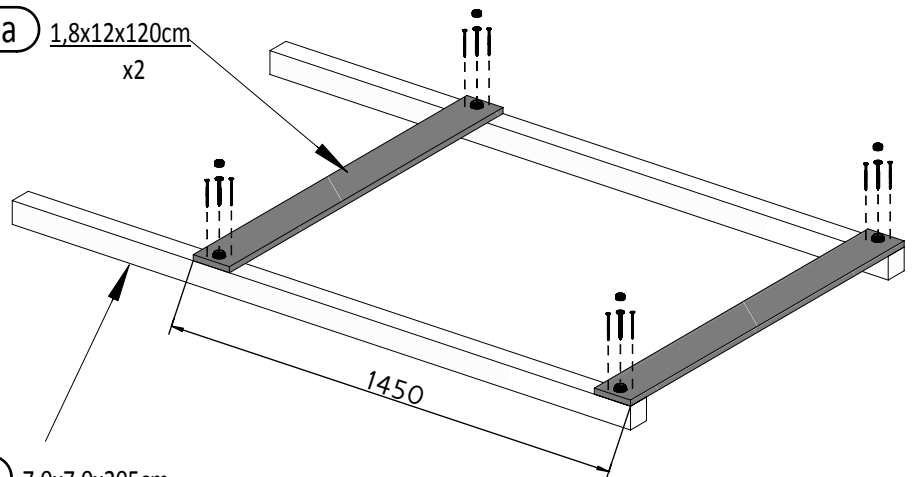
W80 x8



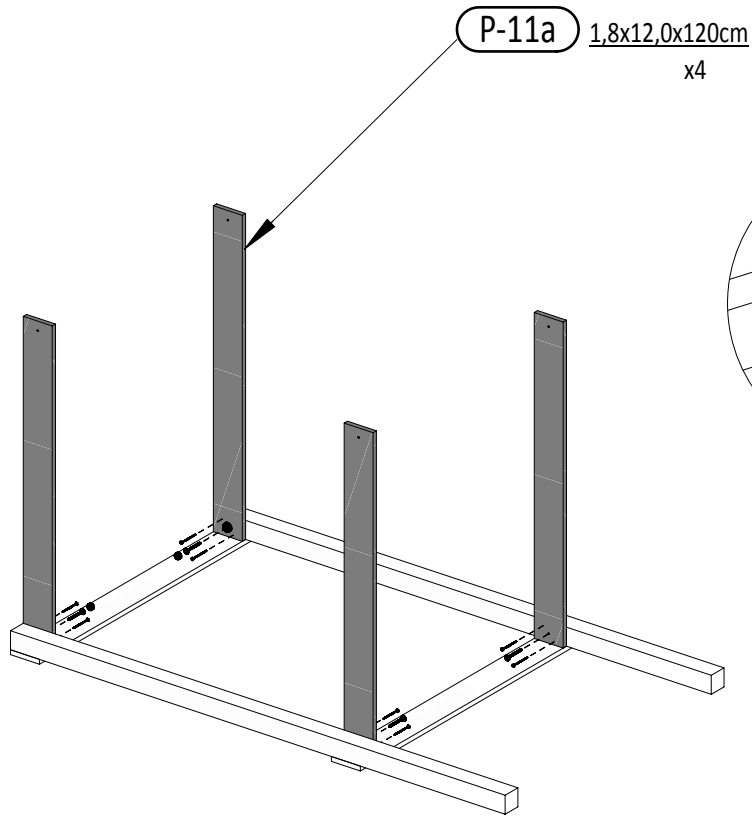
T80 x4

P-11a 1,8x12x120cm
x2

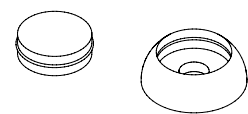
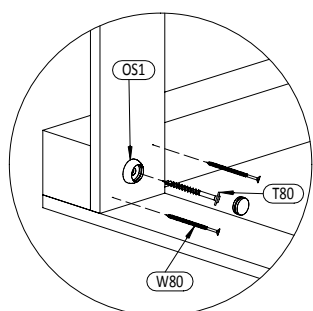
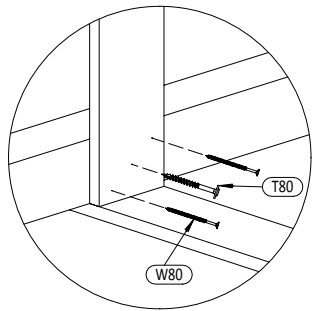
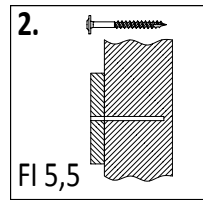
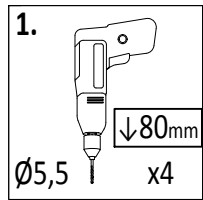
P-2 7,0x7,0x205cm
x2



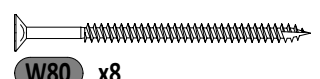
24



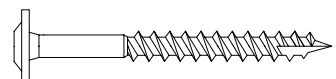
P-11a 1,8x12,0x120cm
x4



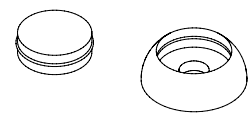
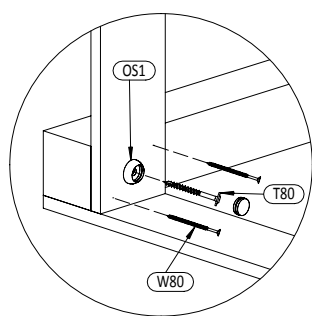
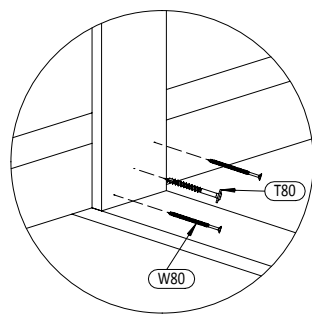
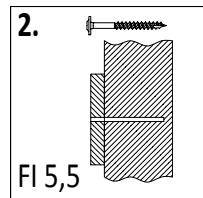
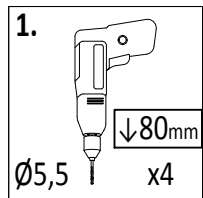
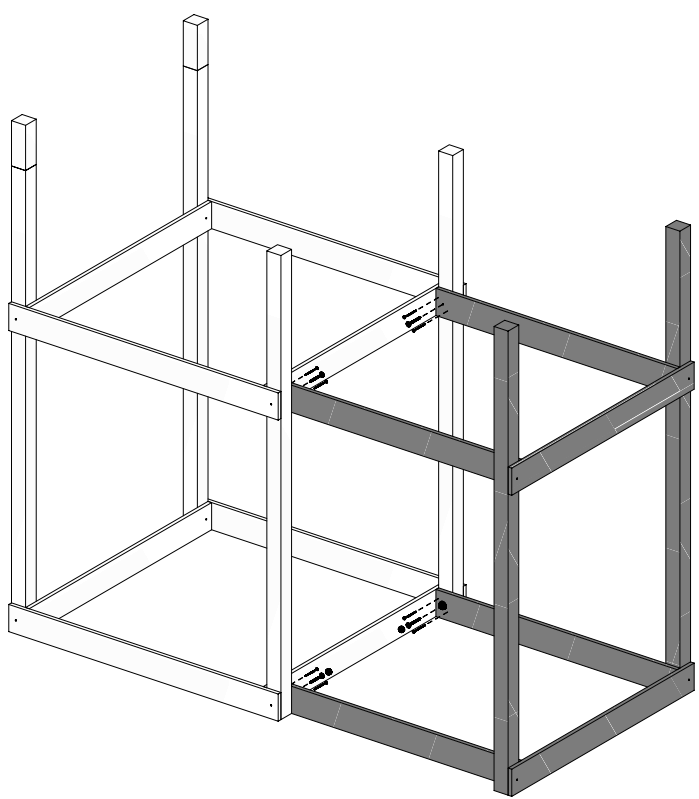
OS1 x2



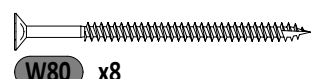
W80 x8



T80 x4



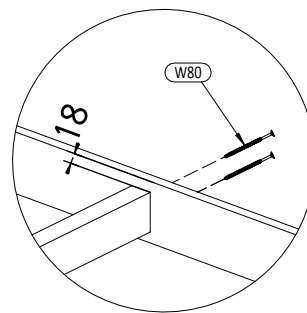
OS1 x2



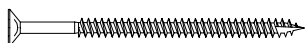
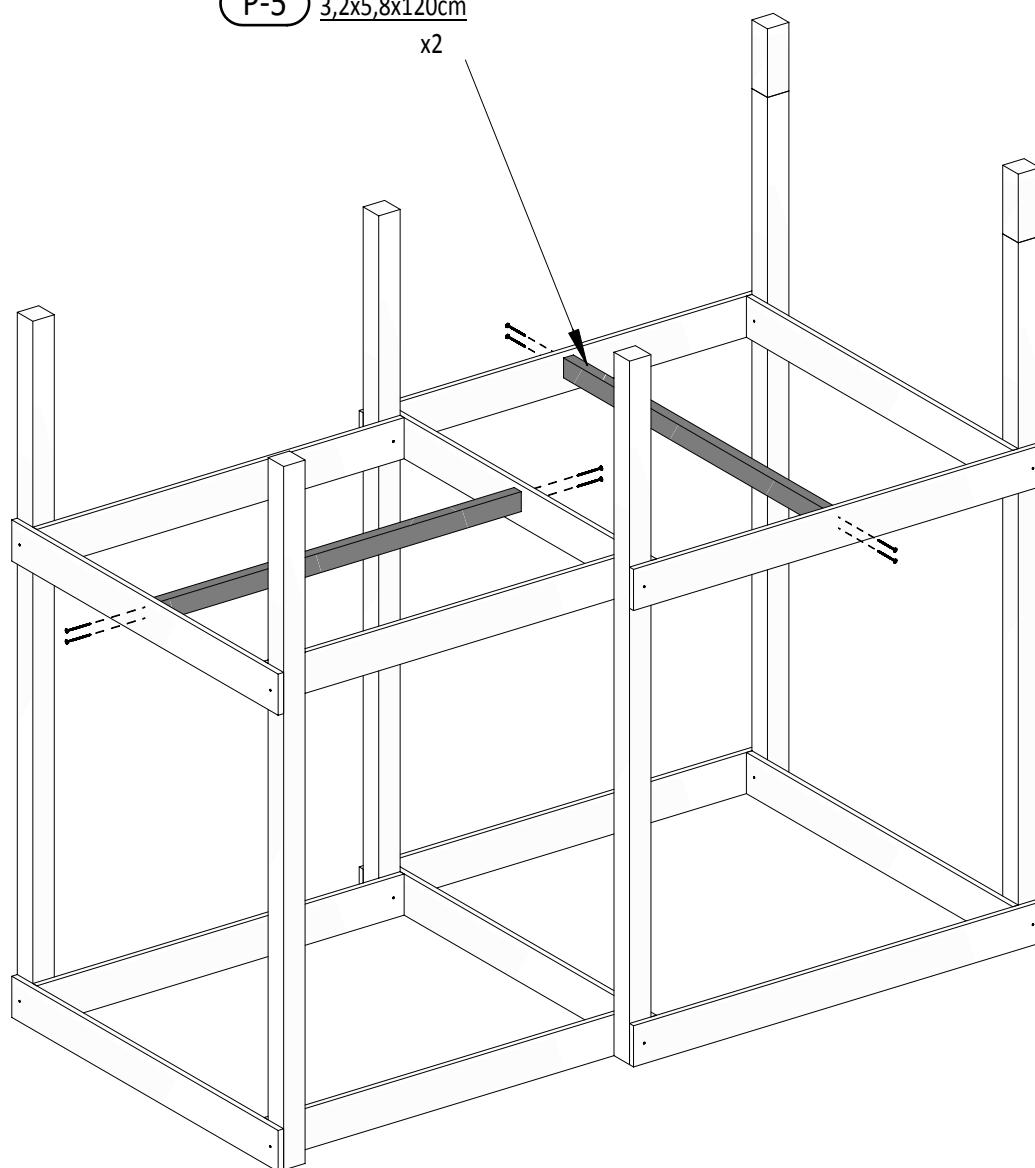
W80 x8



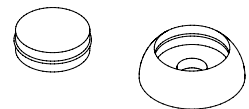
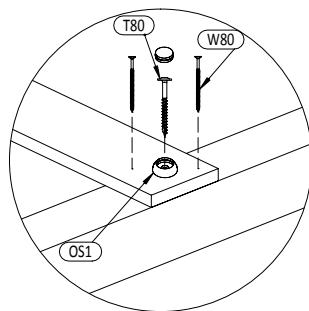
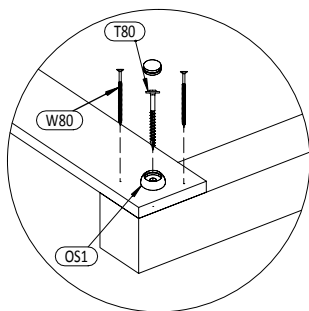
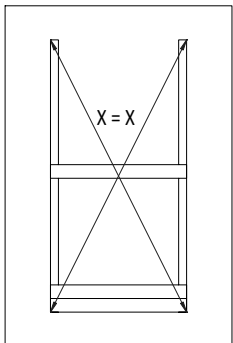
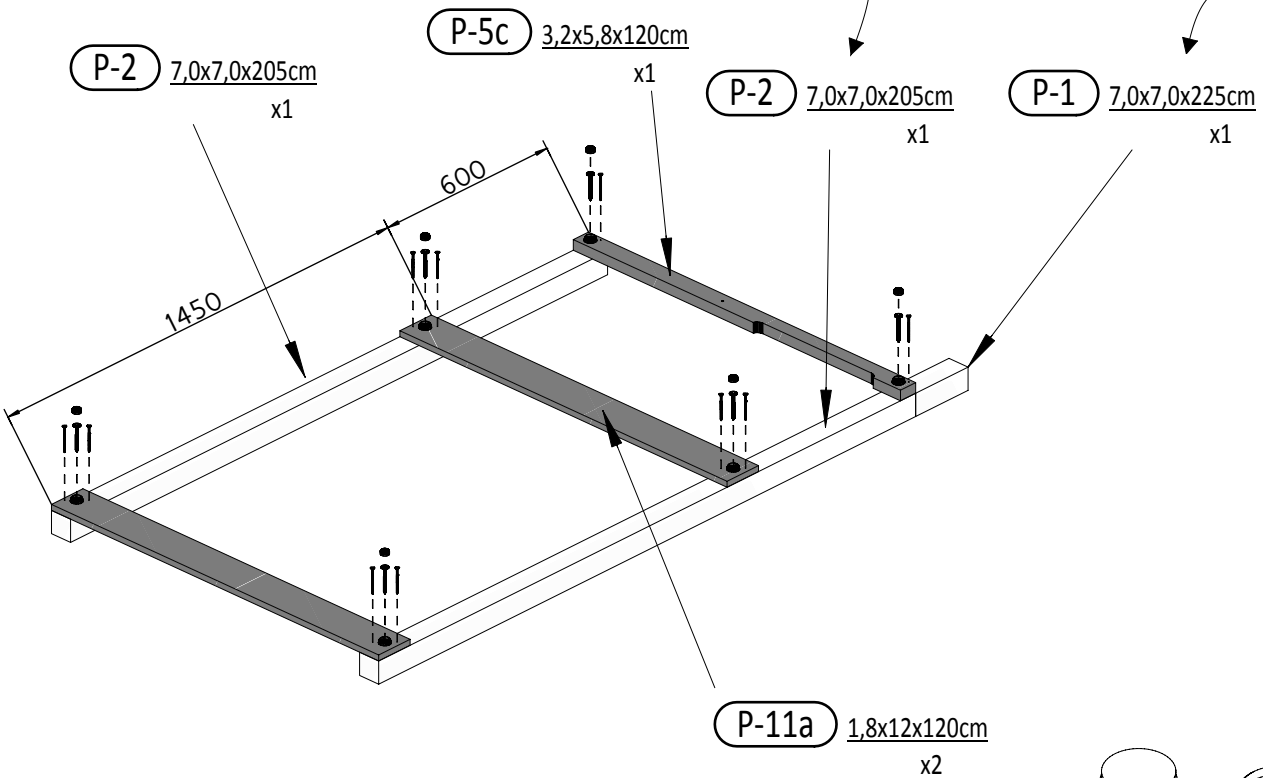
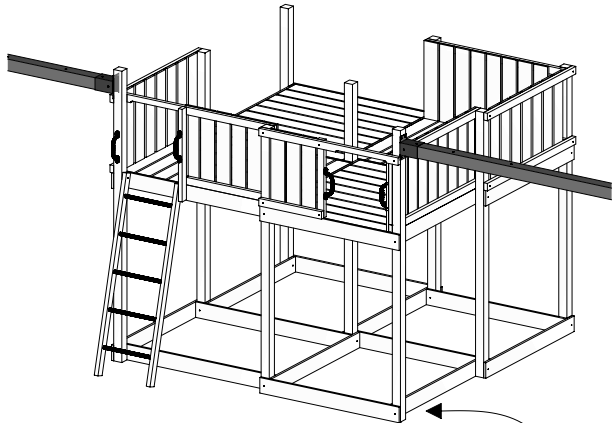
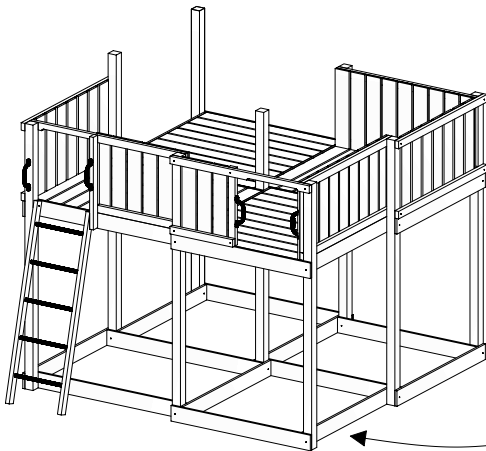
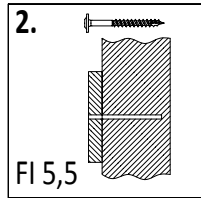
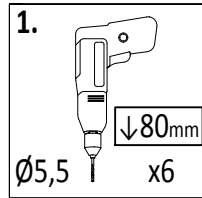
T80 x4



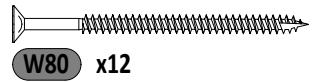
P-5 3,2x5,8x120cm
x2



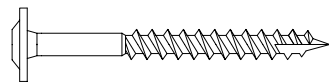
W80 x8



OS1 x6

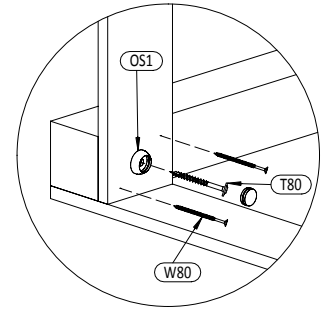
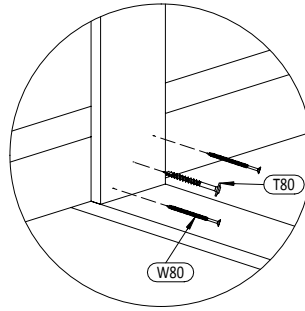
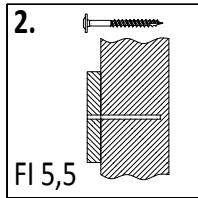
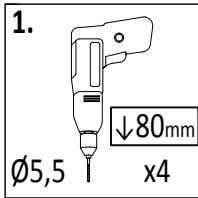


W80 x12

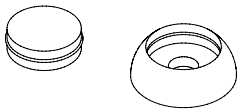
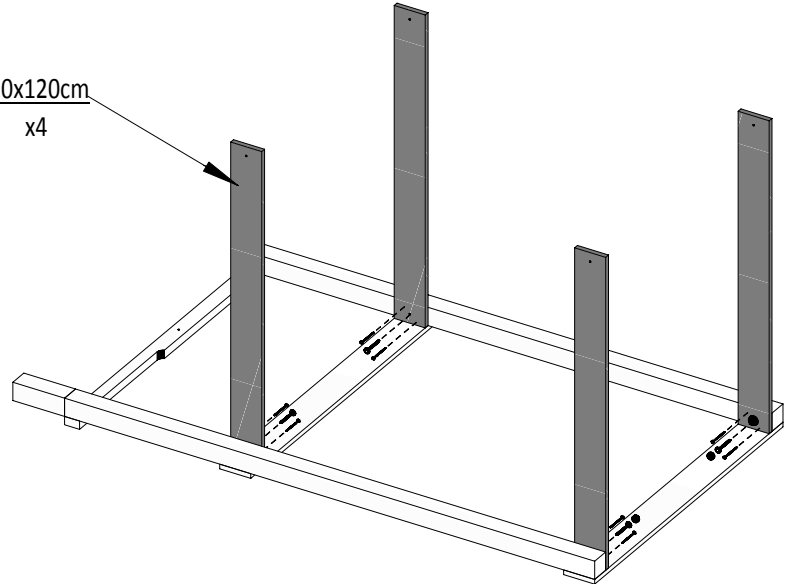


T80 x6

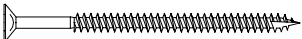
31



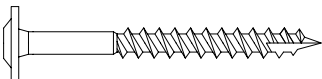
P-11a 1,8x12,0x120cm
x4



OS1 x2

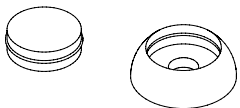
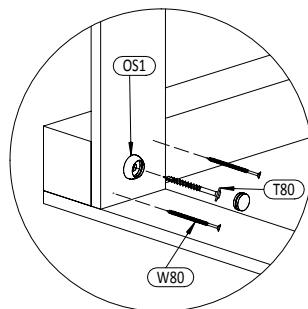
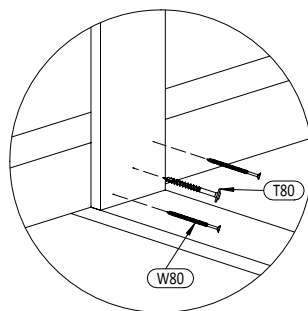
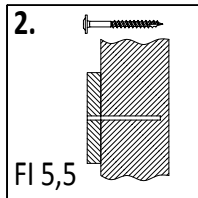
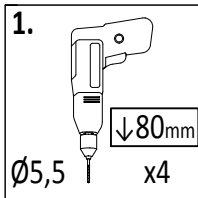


W80 x8



T80 x4

32



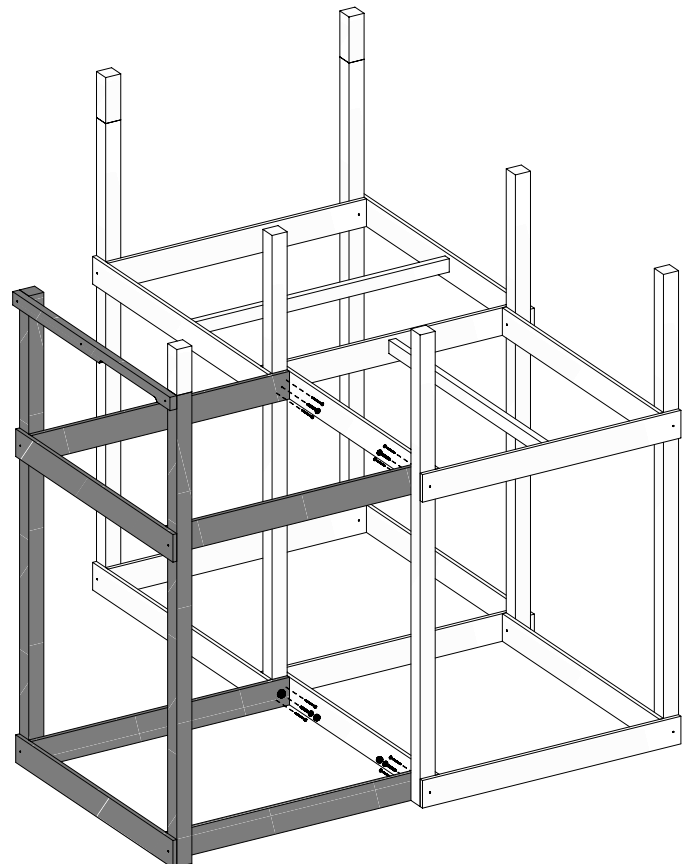
OS1 x2



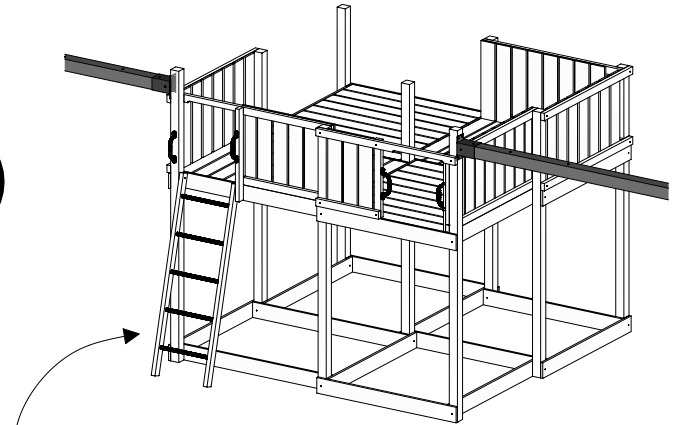
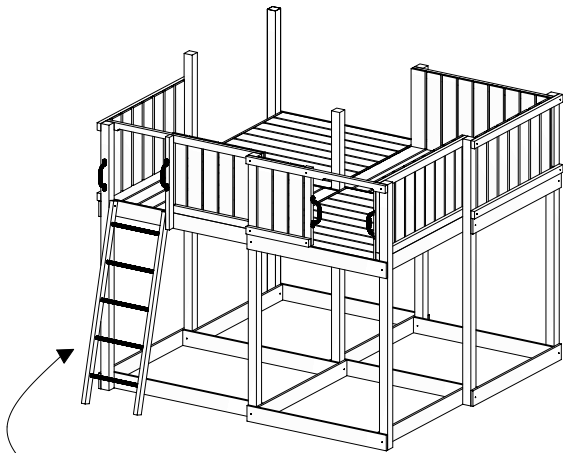
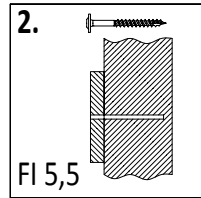
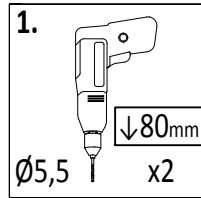
W80 x8



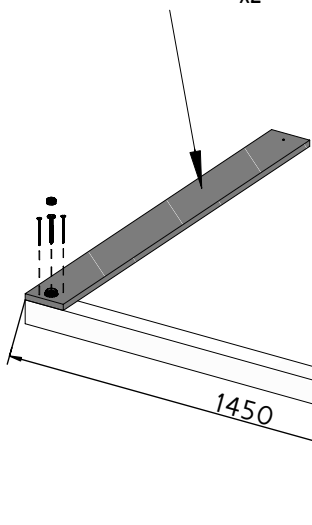
T80 x4



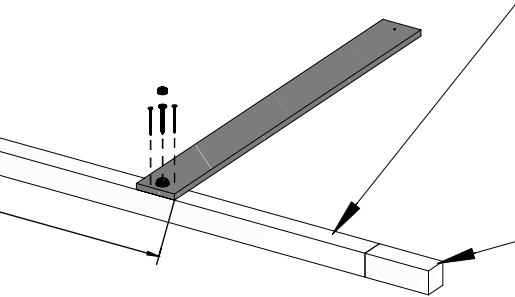
28



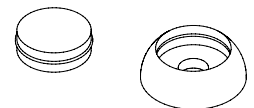
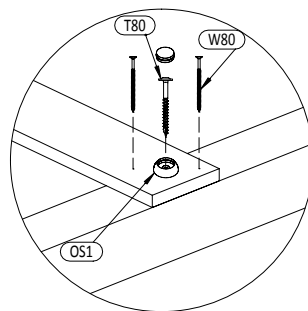
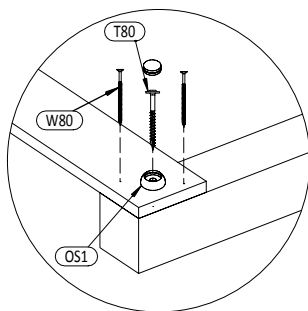
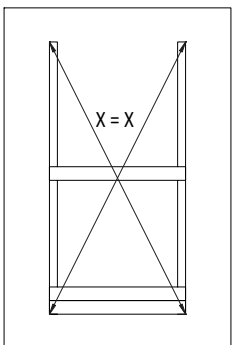
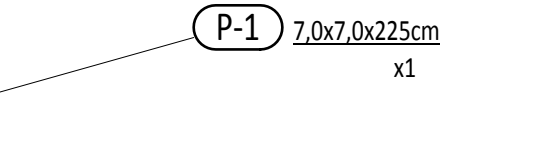
P-11a 1,8x12x120cm
x2



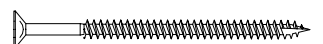
P-2 7,0x7,0x205cm
x1



P-1 7,0x7,0x225cm
x1



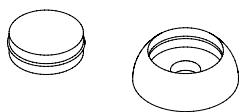
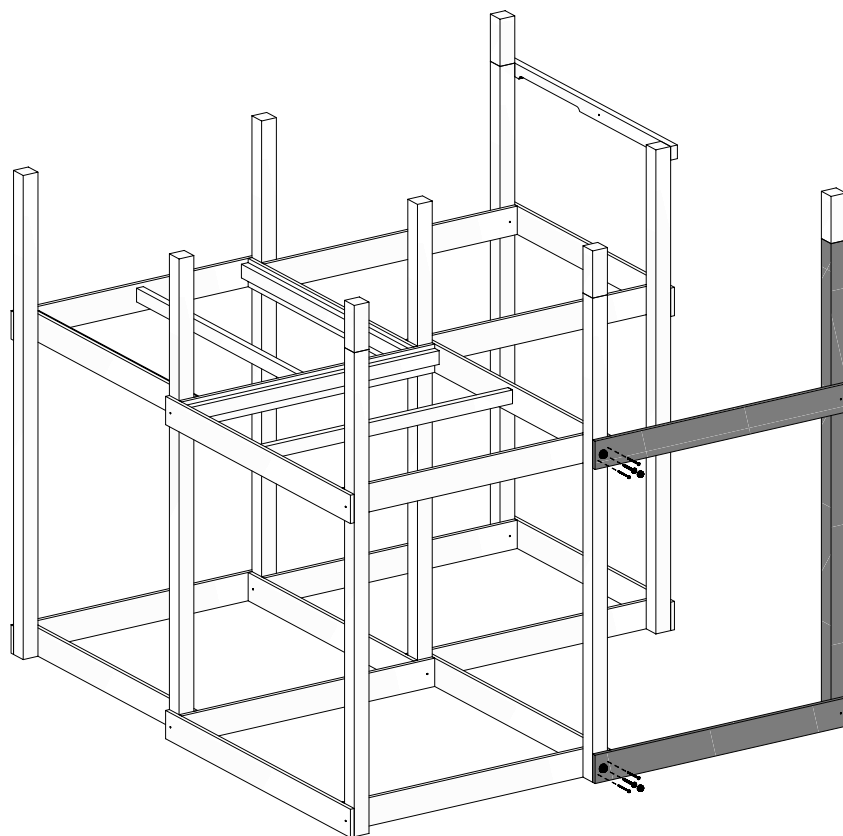
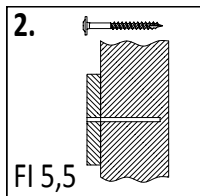
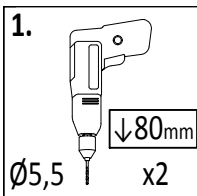
OS1 x2



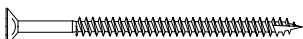
W80 x4



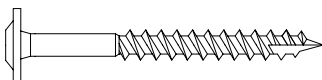
T80 x2



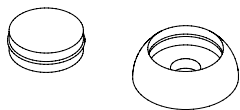
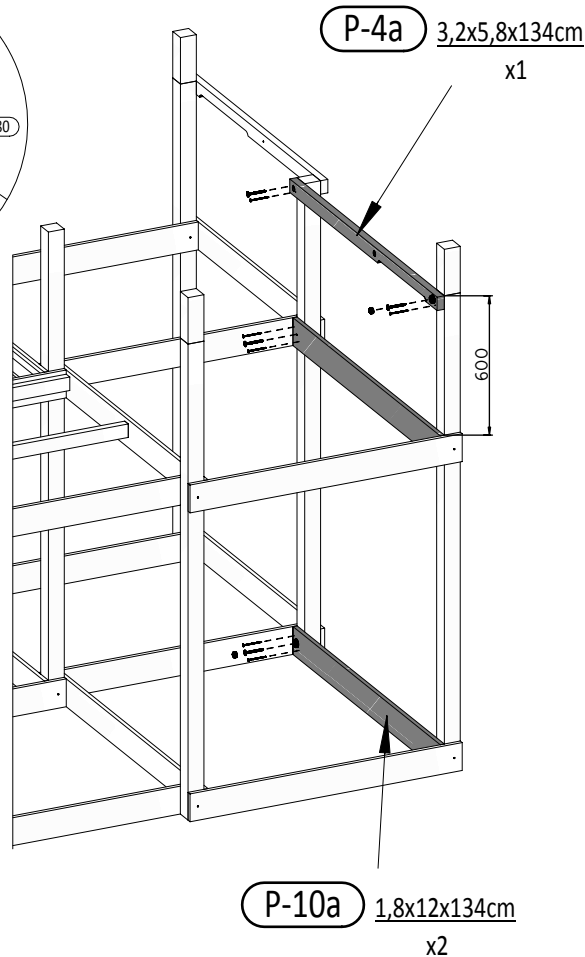
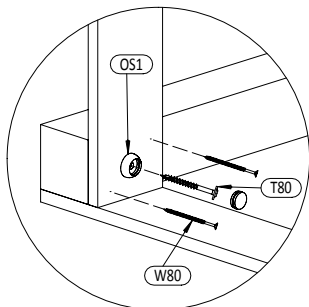
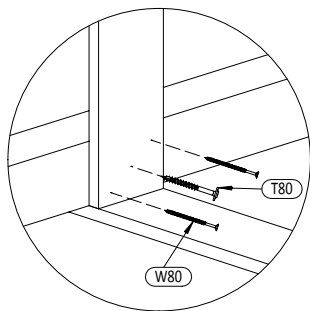
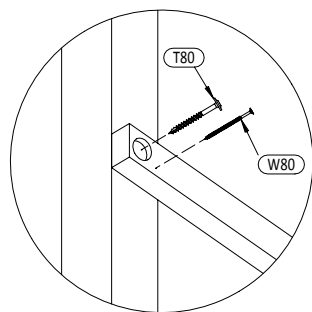
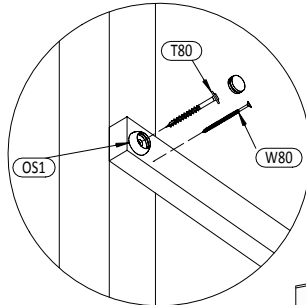
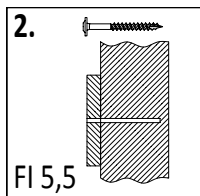
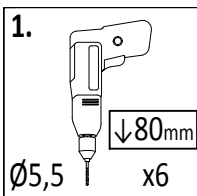
OS1 x2



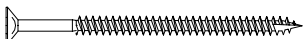
W80 x4



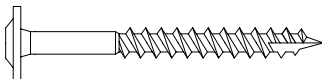
T80 x2



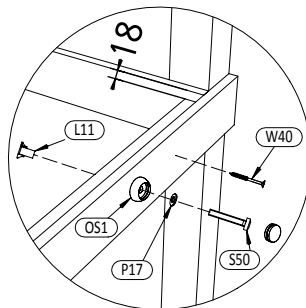
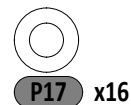
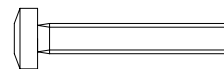
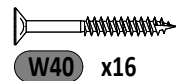
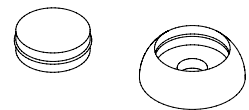
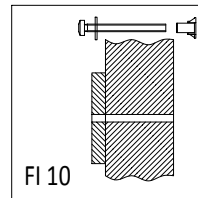
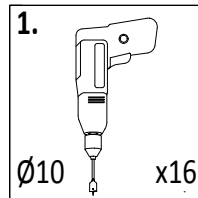
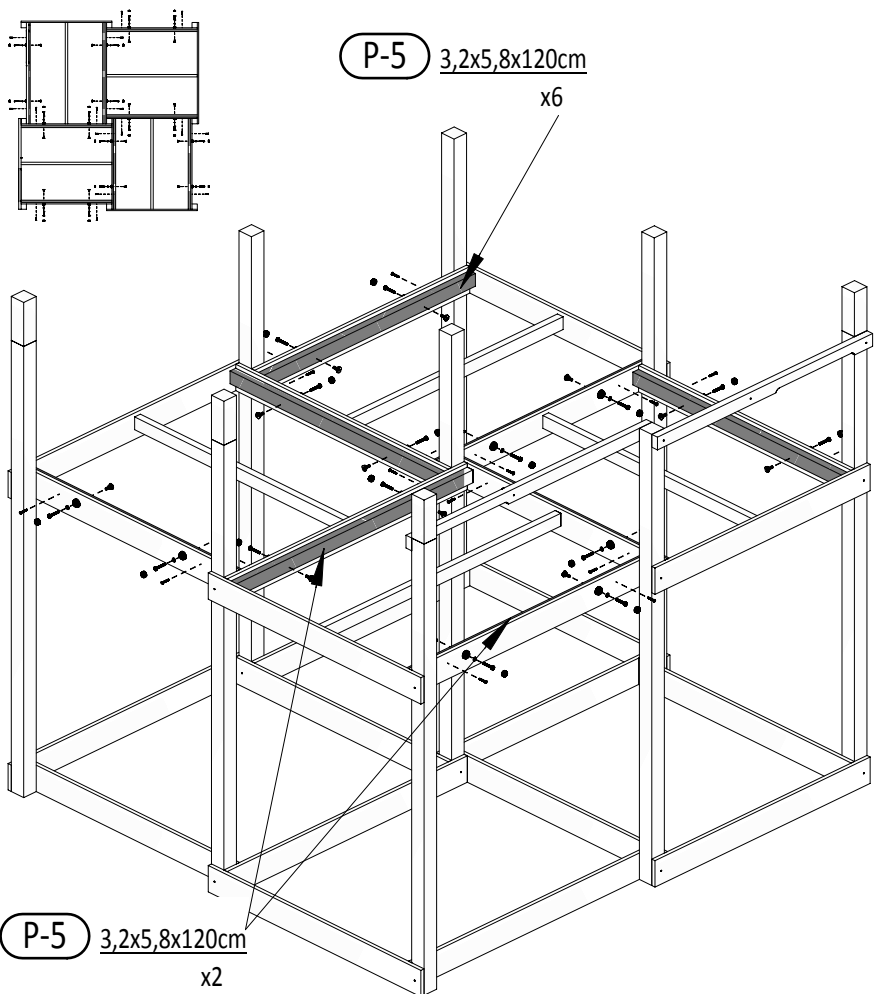
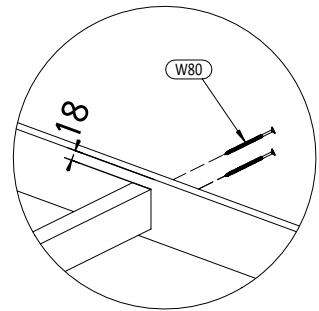
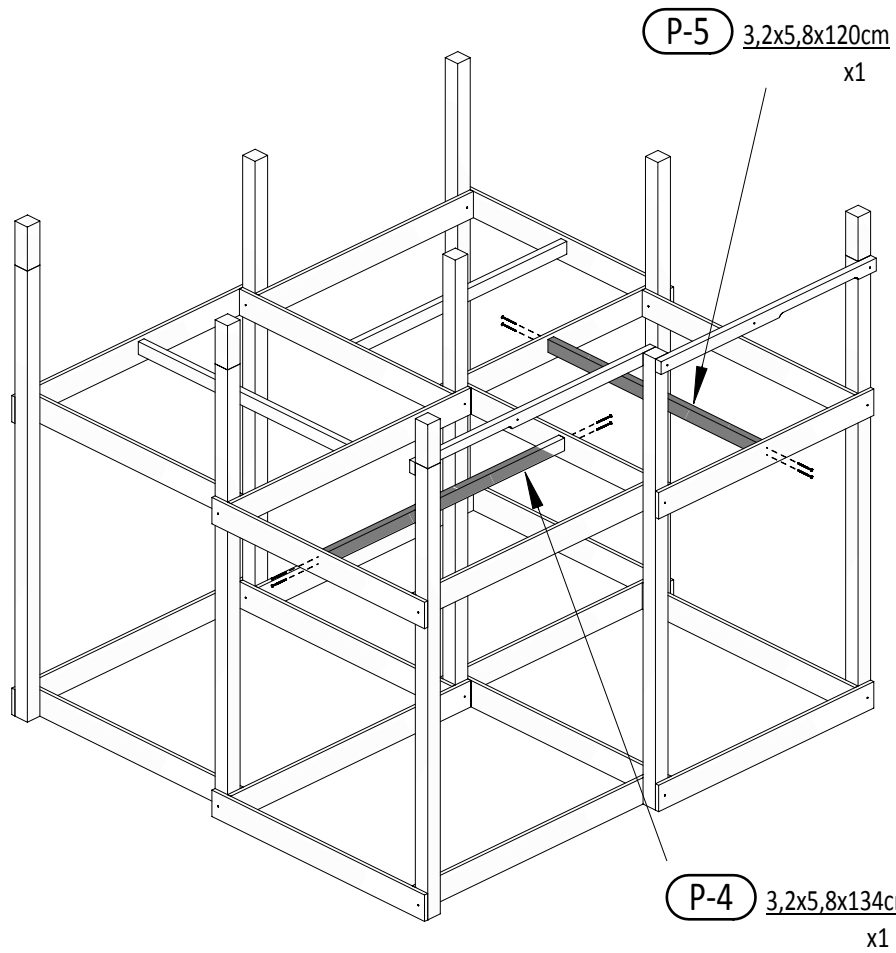
OS1 x3



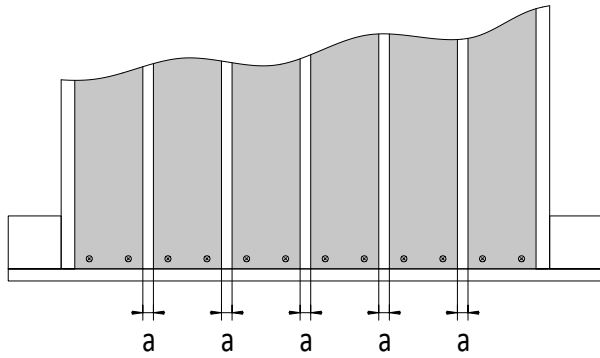
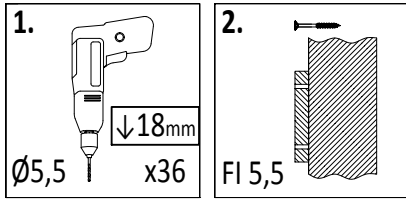
W80 x10



T80 x6

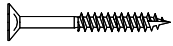
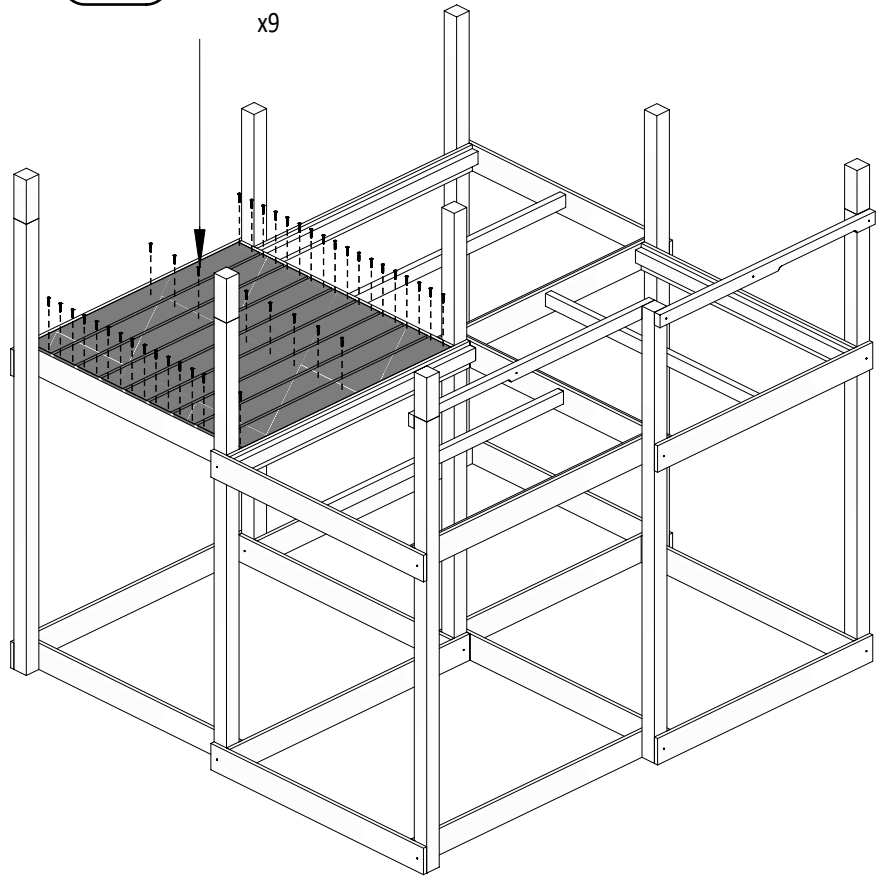


38



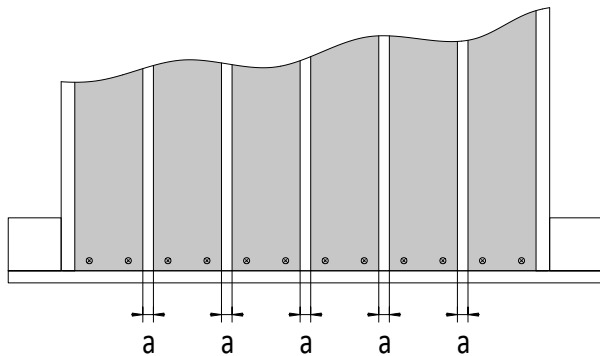
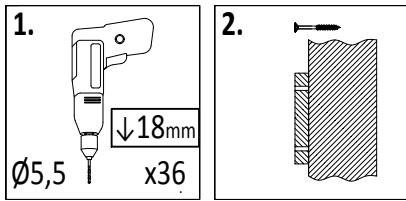
!!!min 13mm < a < !!!max 15mm

P-12 1,8x12x116,4cm
x9



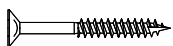
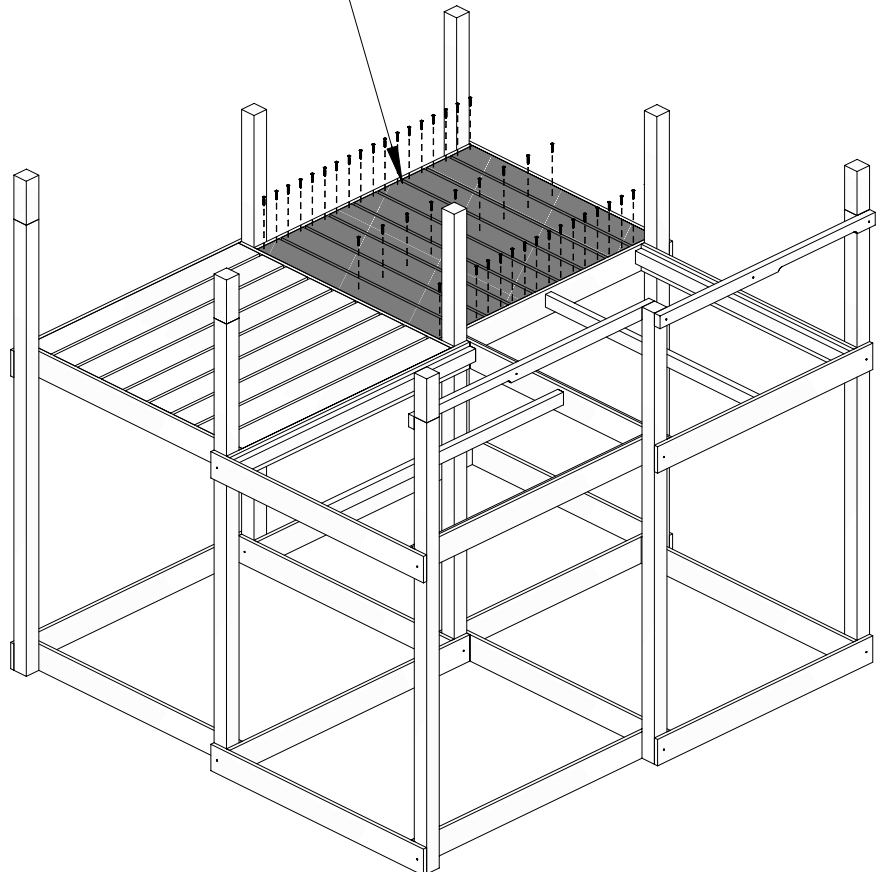
W40 x45

39



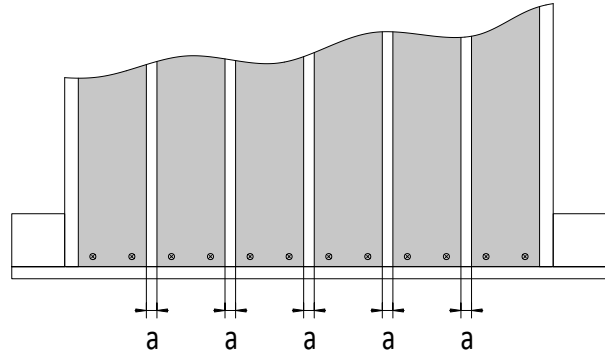
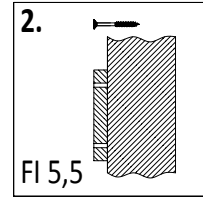
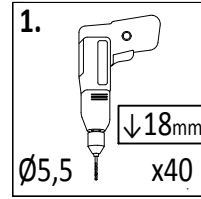
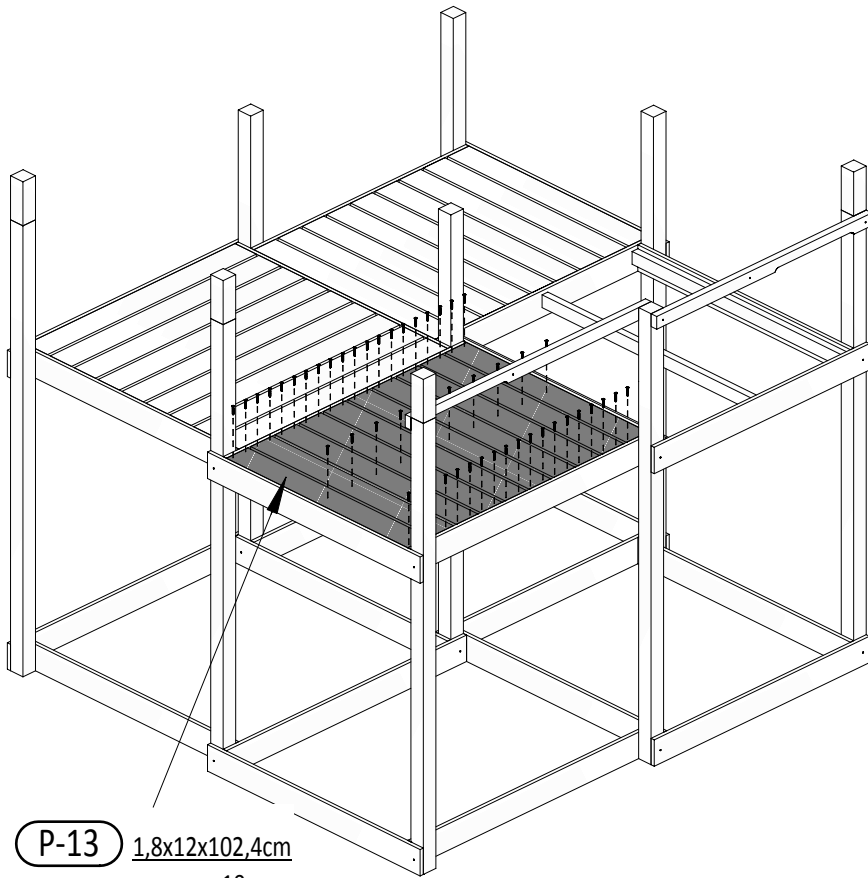
!!!min 13mm < a < !!!max 15mm

P-13 1,8x12x102,4cm
x9

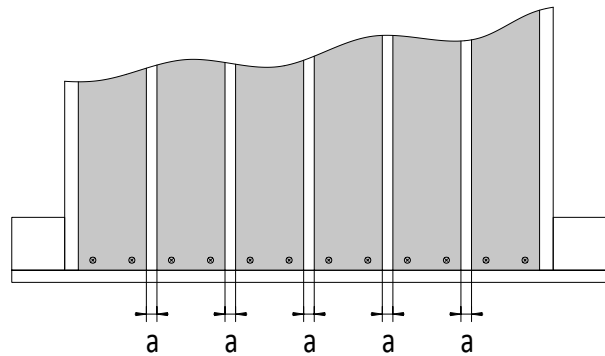
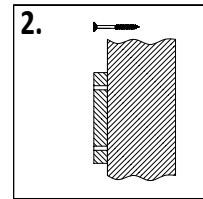
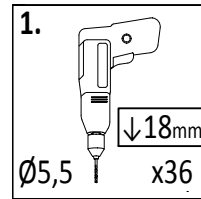
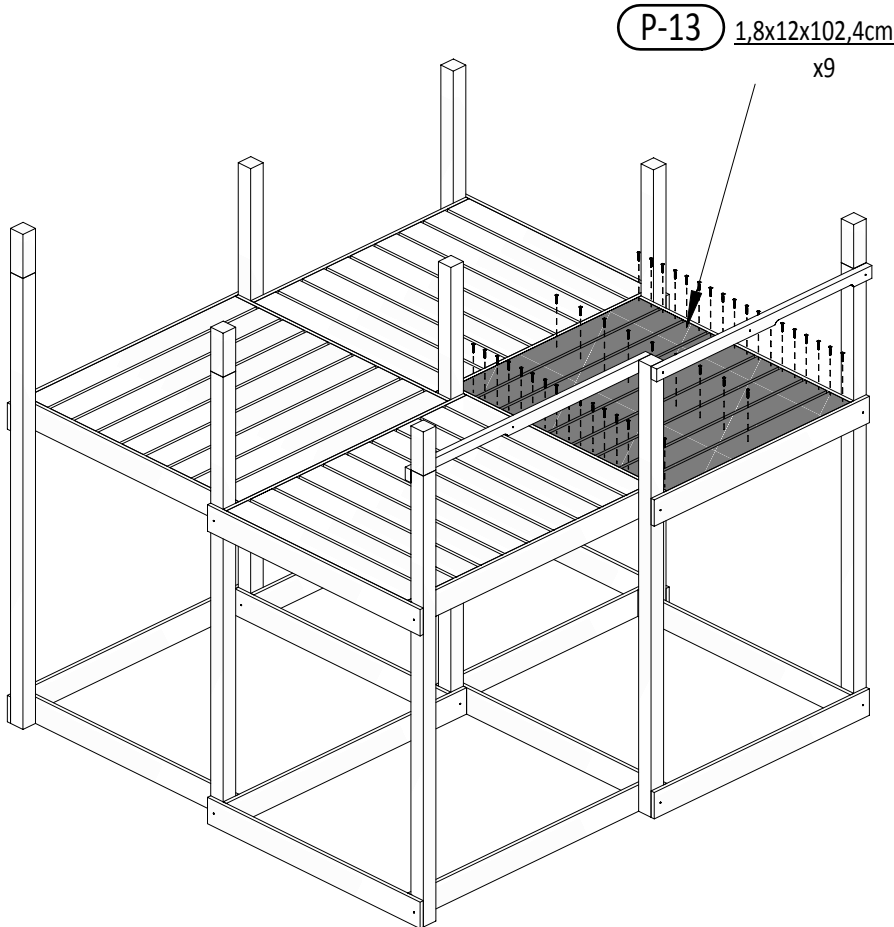
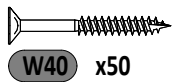


W40 x45

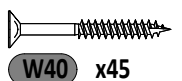
32



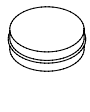
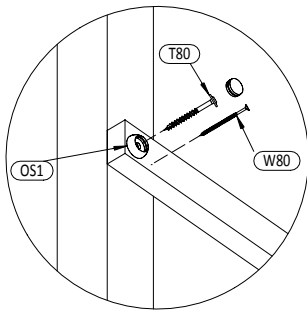
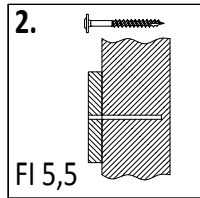
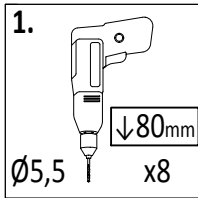
!!!min 13mm < **a** <!!!max 15mm



!!!min 13mm < **a** <!!!max 15mm



42



OS1 x8



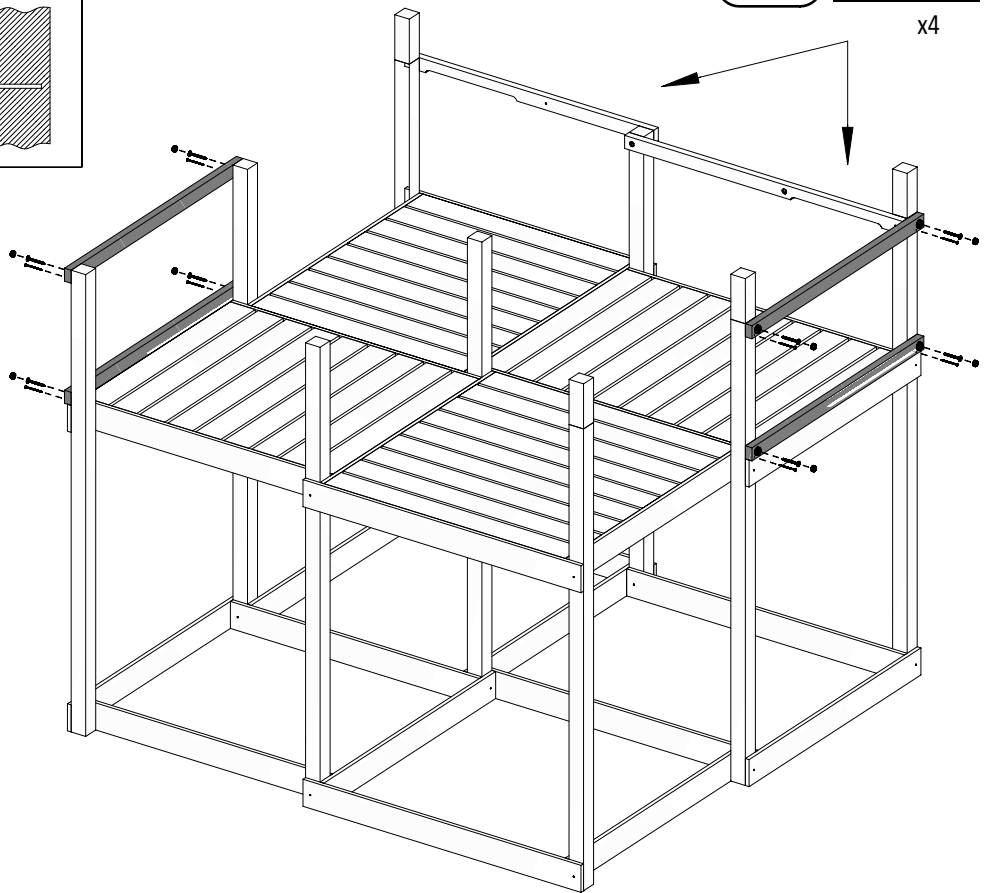
W80 x8



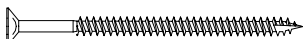
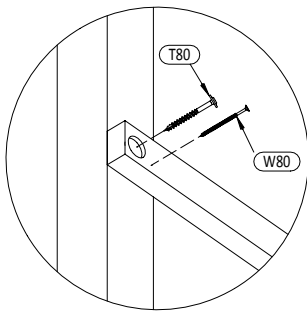
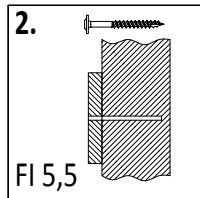
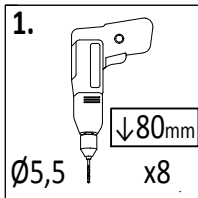
T80 x8

P-5a 3,2x5,8x120cm

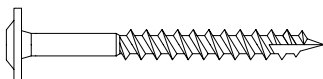
x4



43



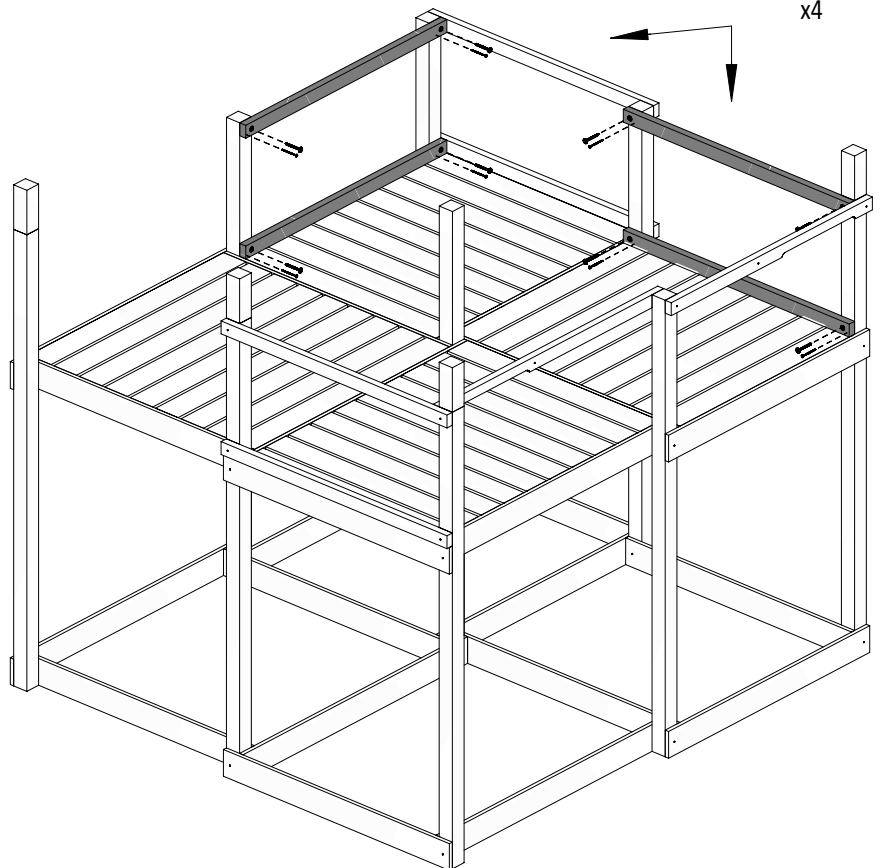
W80 x8



T80 x8

P-5b 3,2x5,8x120cm

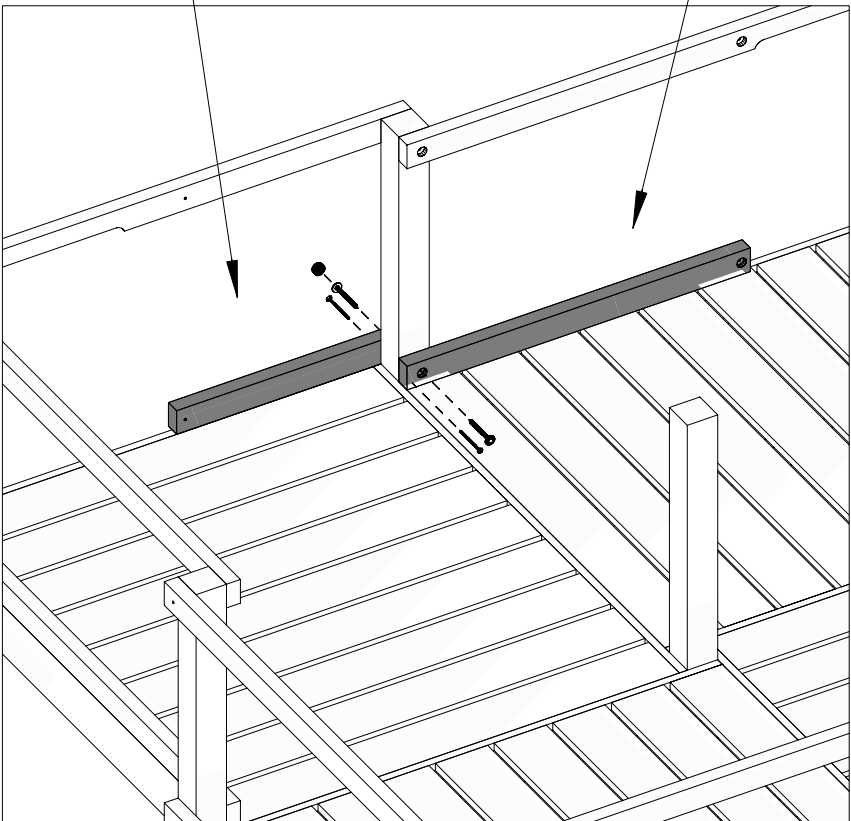
x4



34

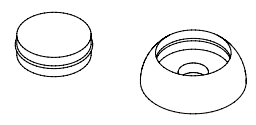
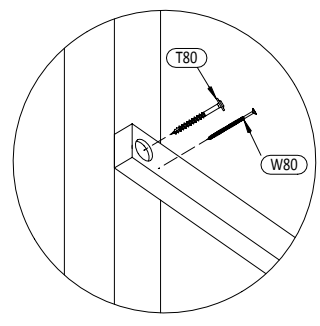
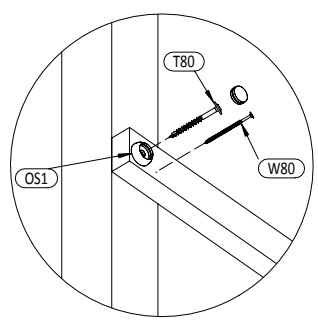
P-9a 3,2x5,8x54cm x1

P-6a 3,2x5,8x79cm x1

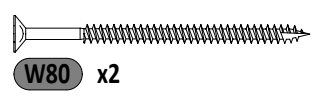


1. $\downarrow 80\text{mm}$
Ø5,5 x2

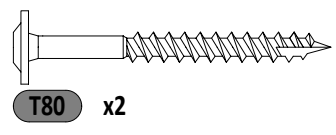
2. FI 5,5



OS1 x1



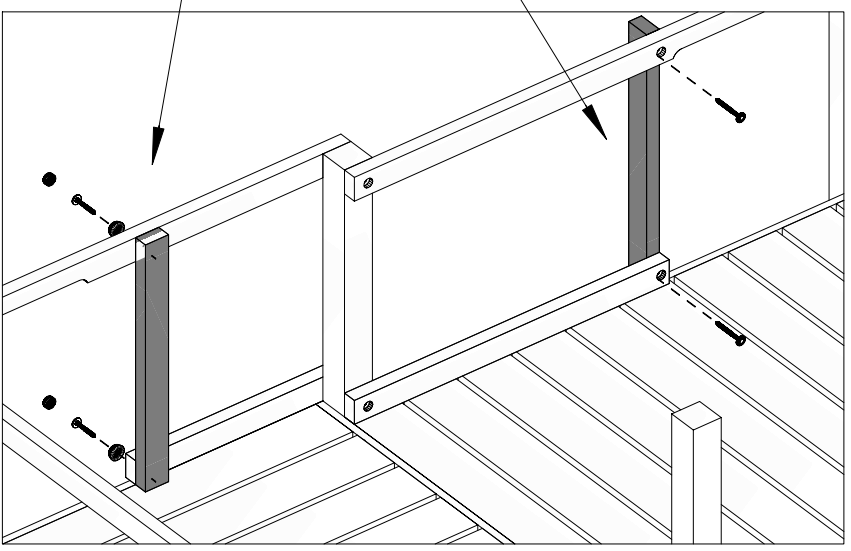
W80 x2



T80 x2

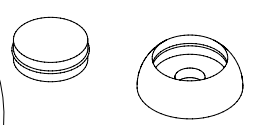
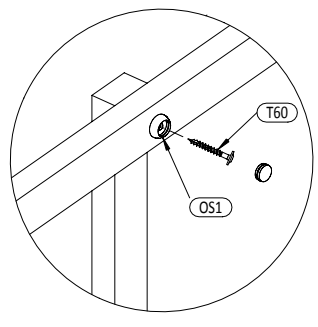
P-8 3,2x5,8x60cm x1

P-7 3,2x5,8x71,5cm x1

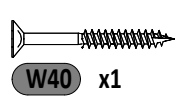


1. $\downarrow 60\text{mm}$
Ø5,5 x4

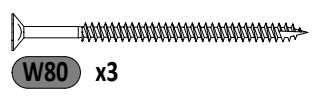
2. FI 5,5



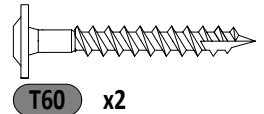
OS1 x2



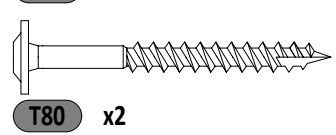
W40 x1



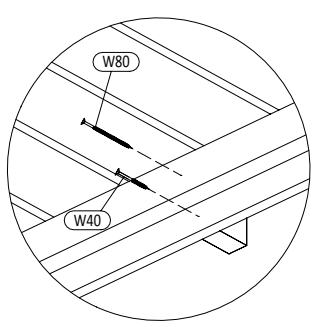
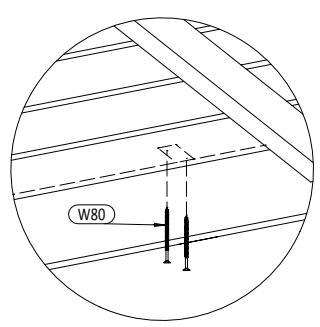
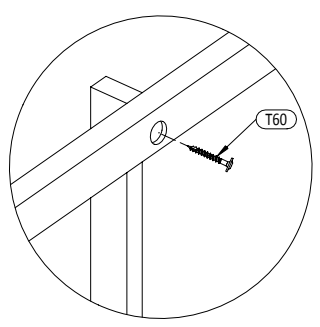
W80 x3



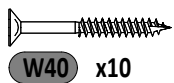
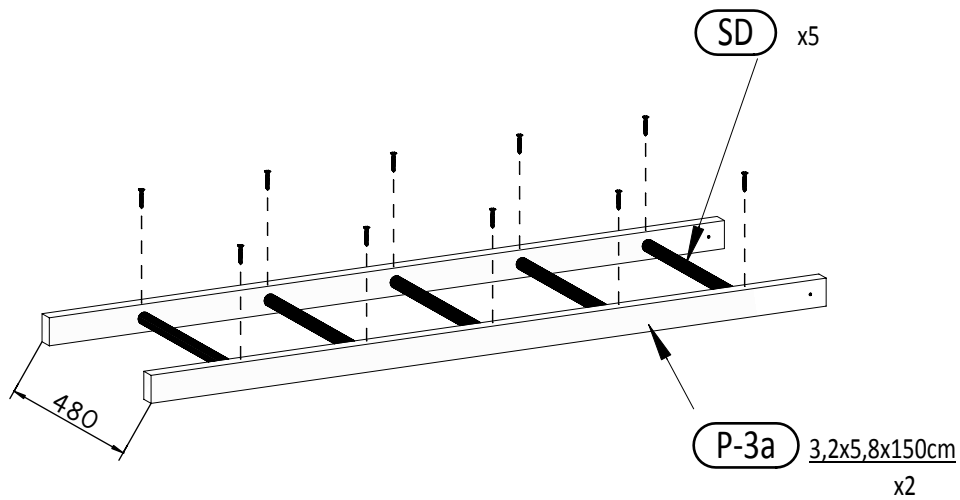
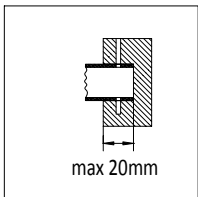
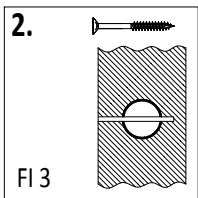
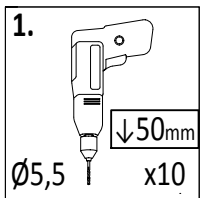
T60 x2



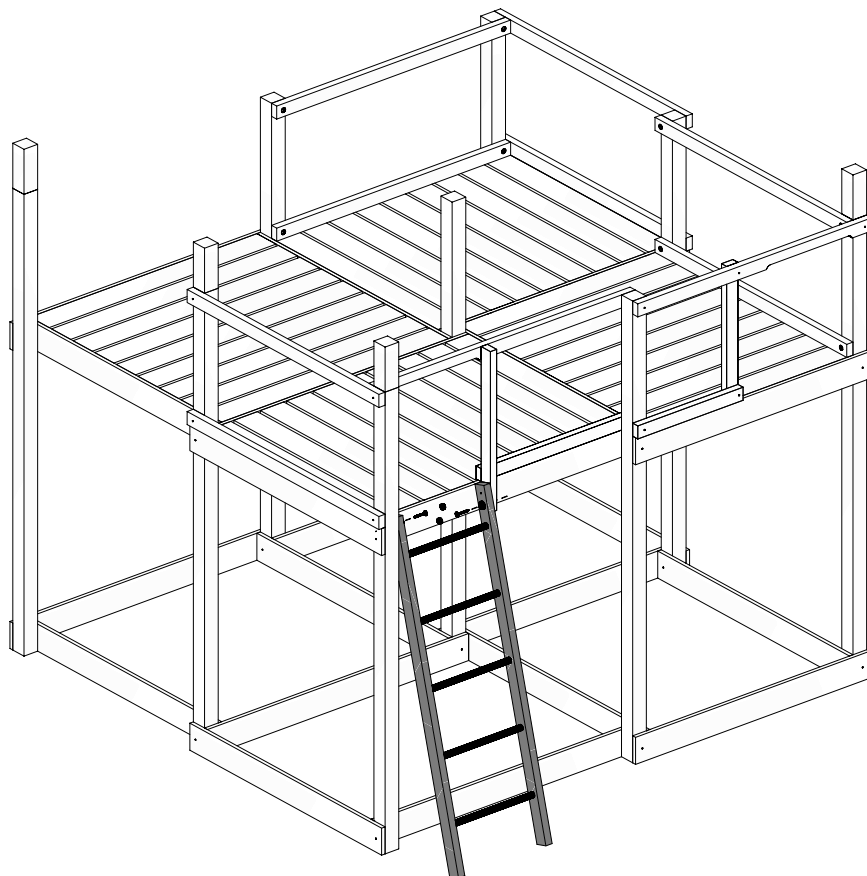
T80 x2



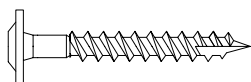
46



47

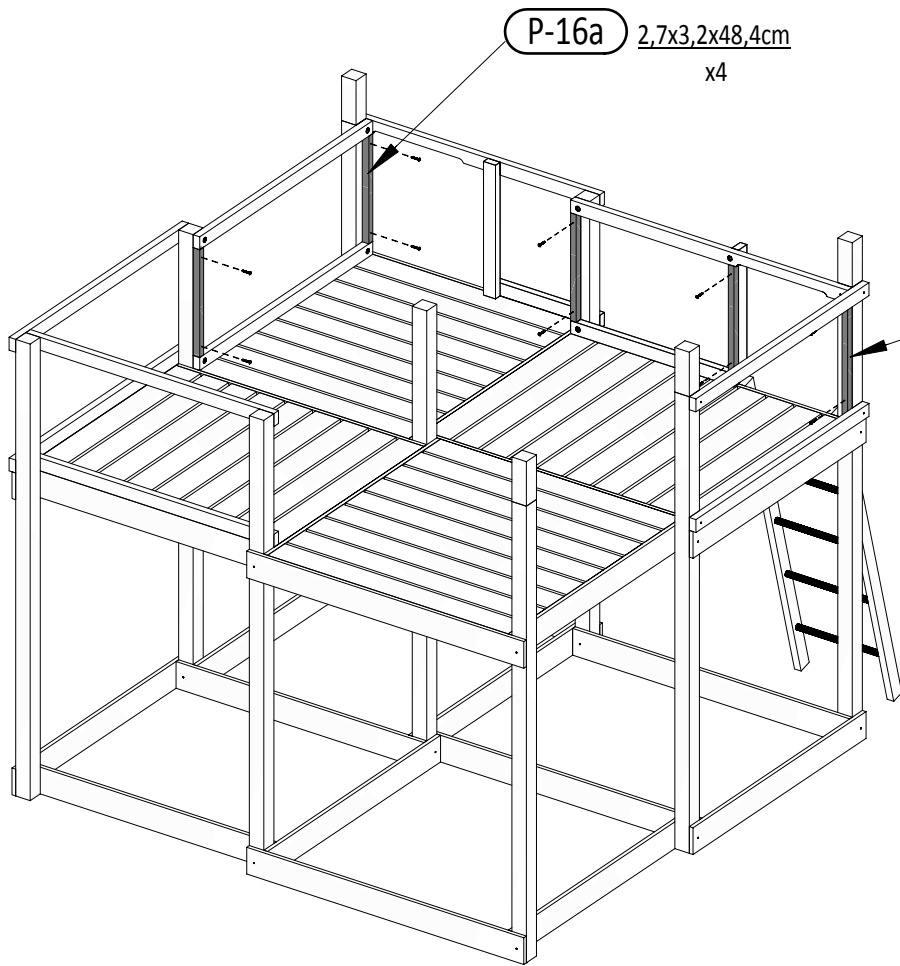


OS1 x2

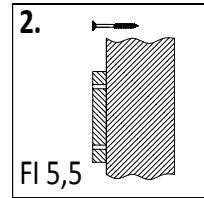
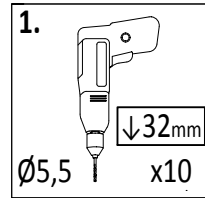


T60 x2

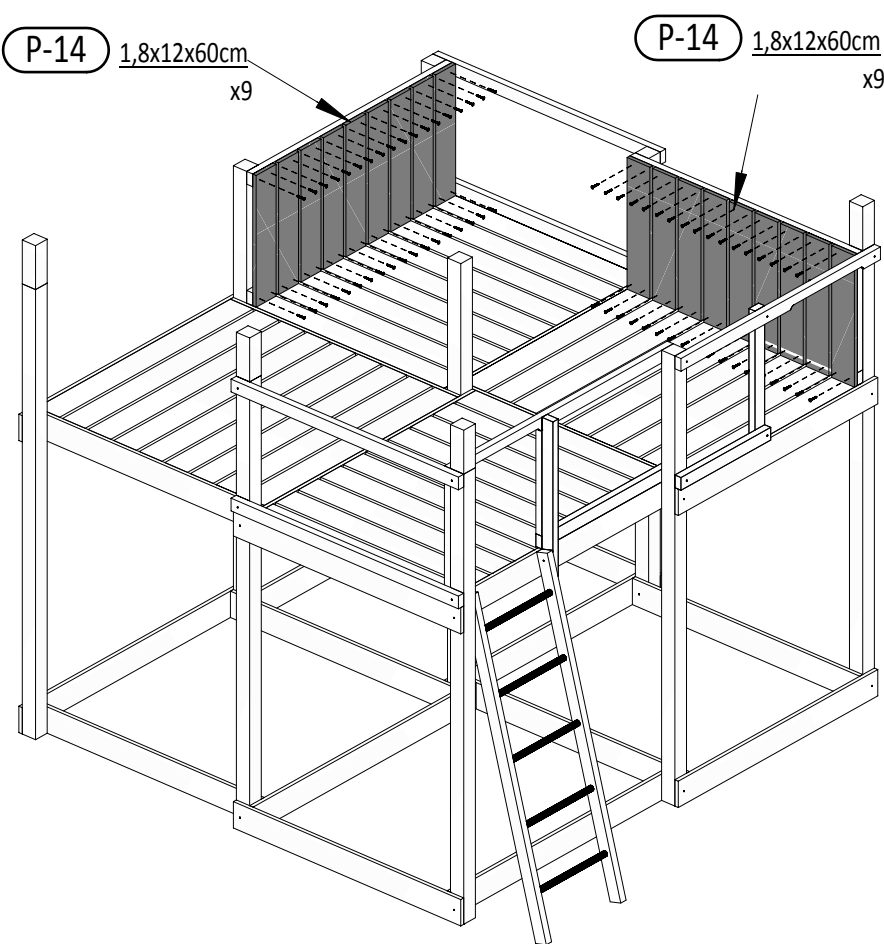
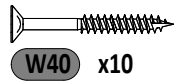
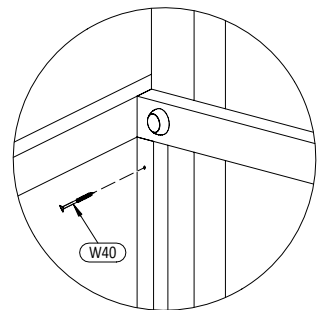
36



P-16a 2,7x3,2x48,4cm
x4

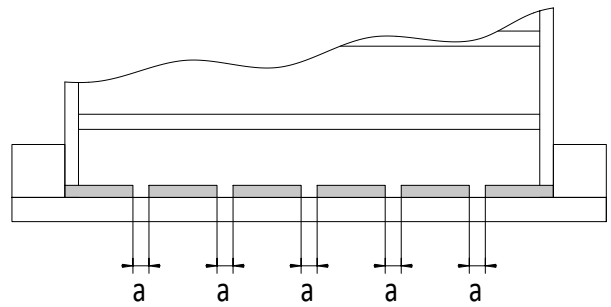
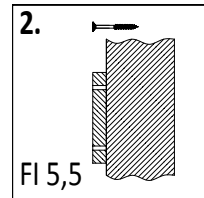
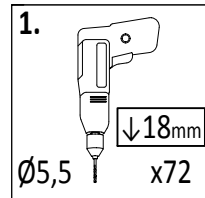


P-15a 2,7x3,2x54,2cm
x1

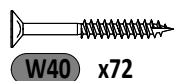


P-14 1,8x12x60cm
x9

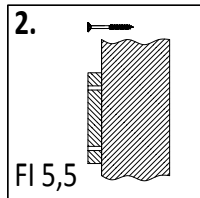
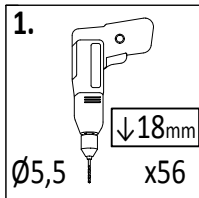
P-14 1,8x12x60cm
x9



!!!min 13mm < a < !!!max 23mm

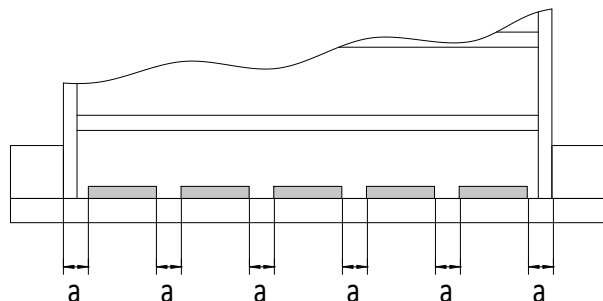


50

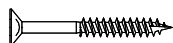
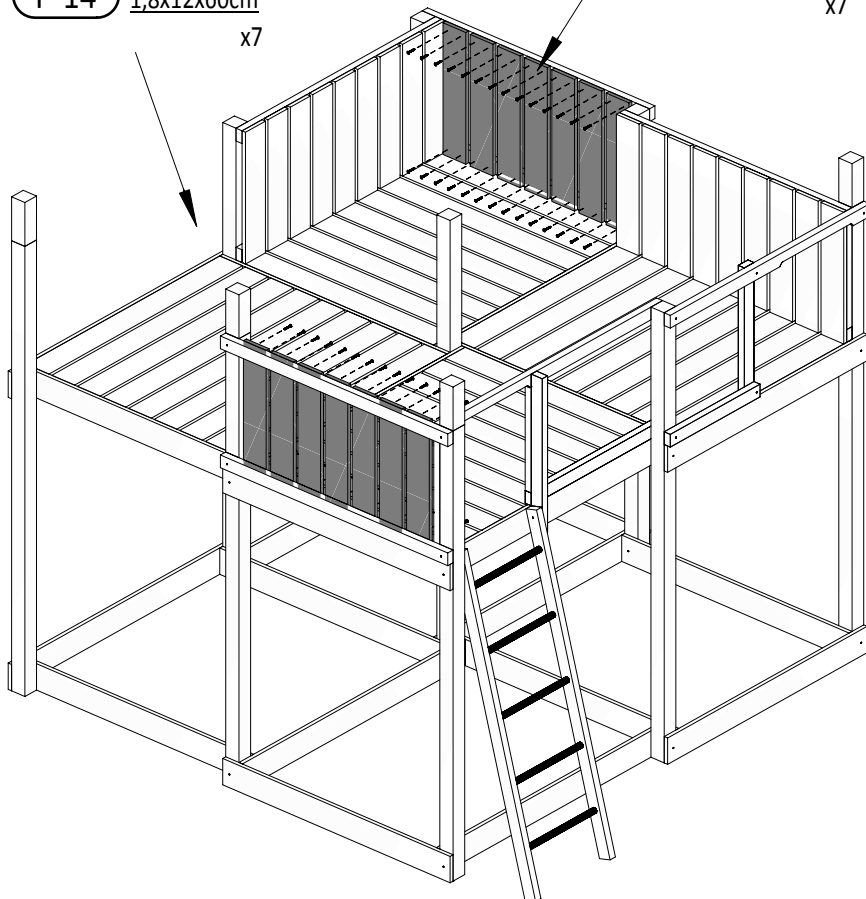


P-14 1,8x12x60cm x7

P-14 1,8x12x60cm x7

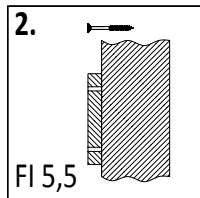
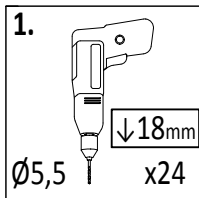


!!!min 13mm < a <!!!max 23mm

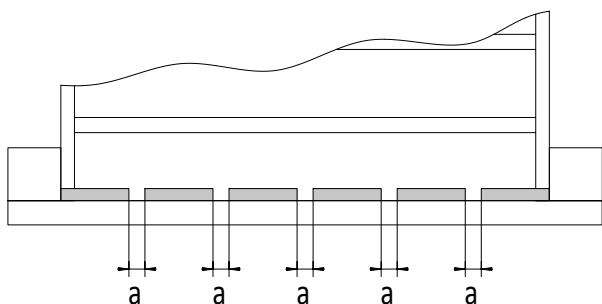


W40 x56

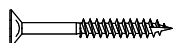
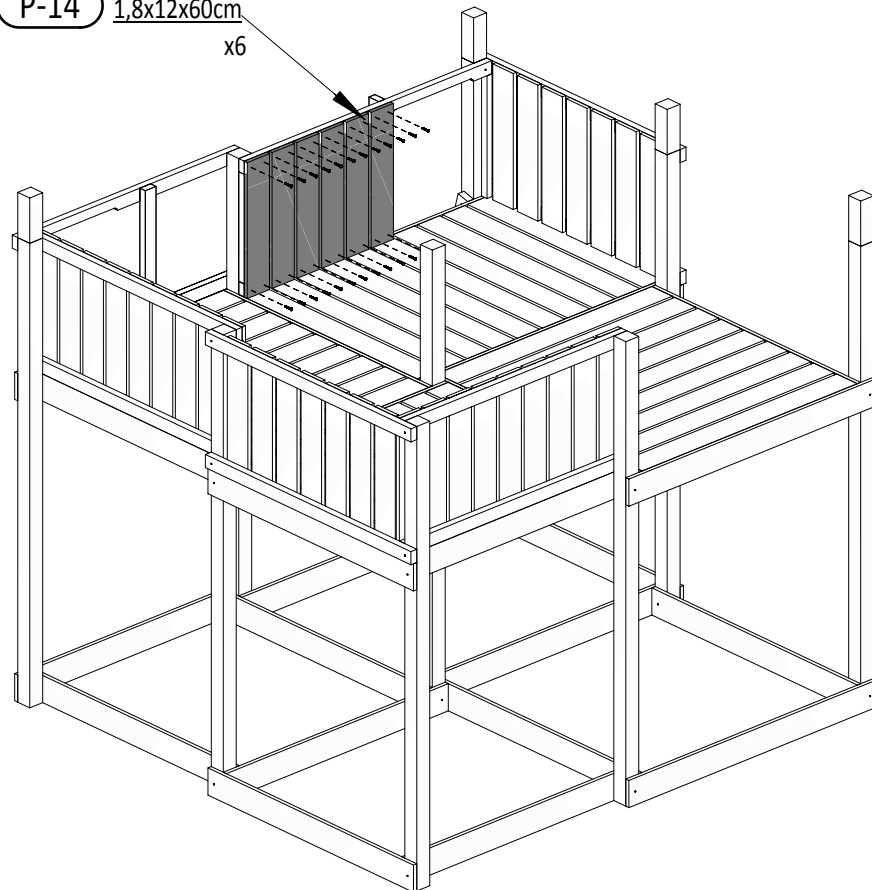
51



P-14 1,8x12x60cm x6



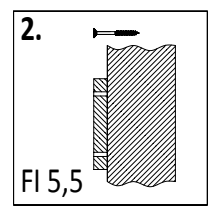
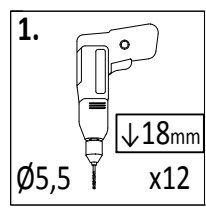
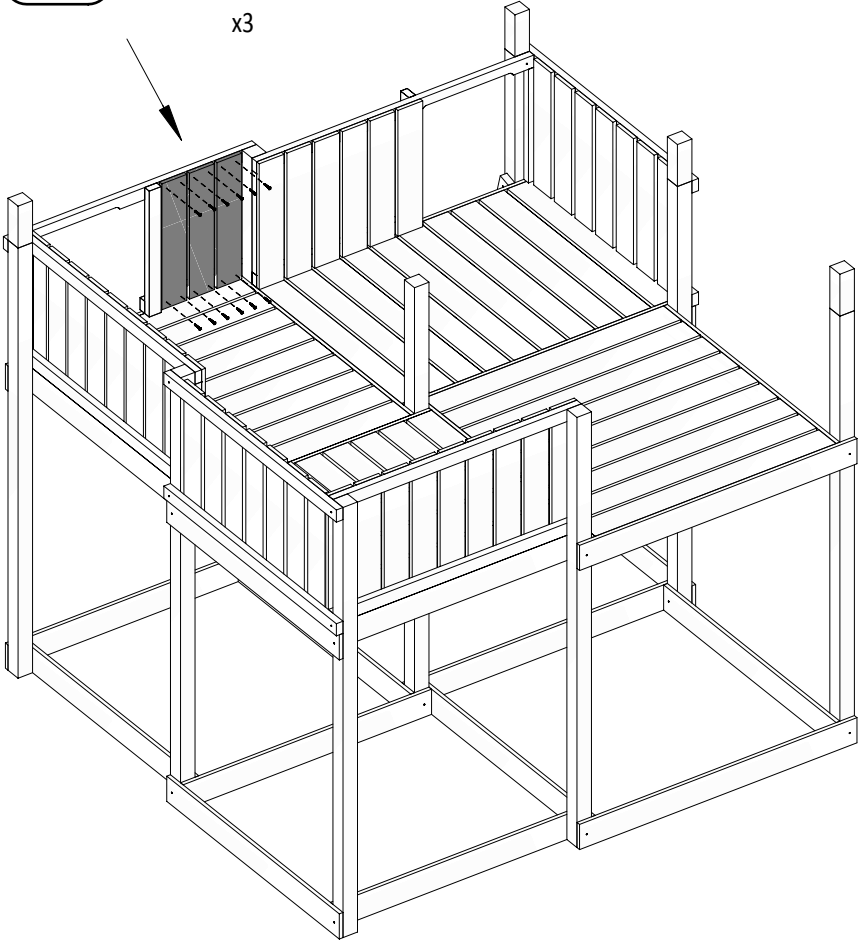
!!!min 12mm < a <!!!max 14mm



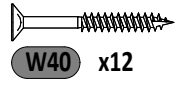
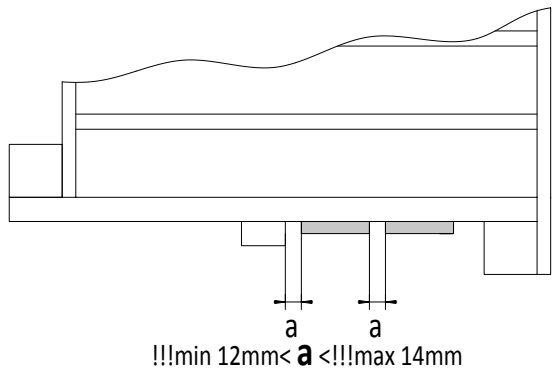
W40 x24

38

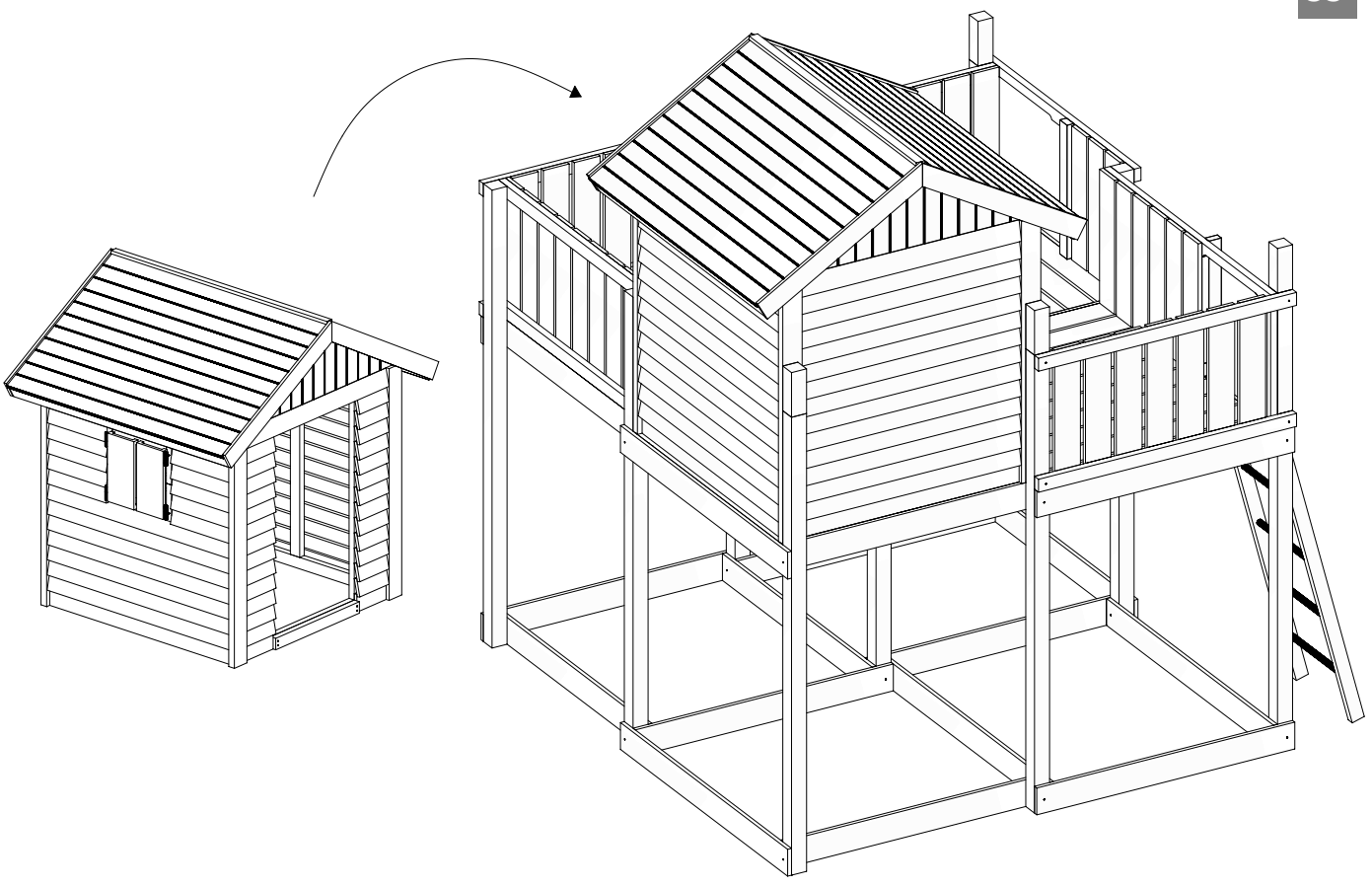
P-14 1,8x12x60cm
x3



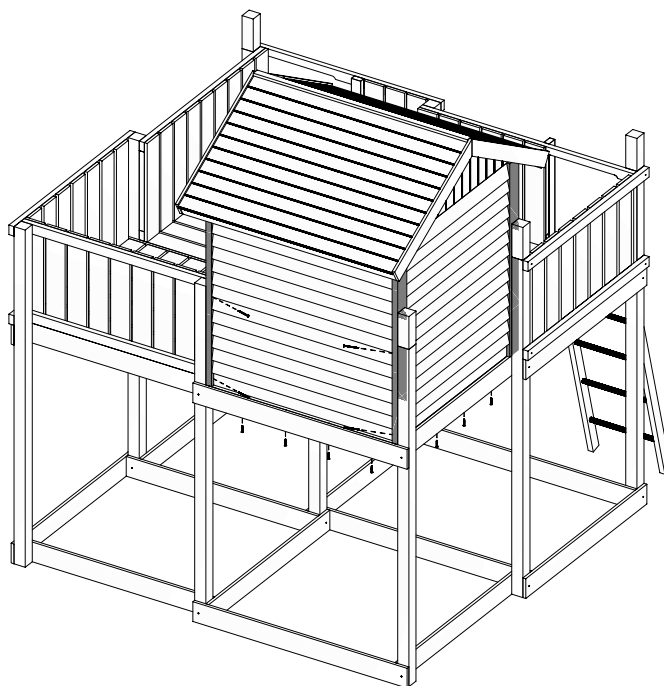
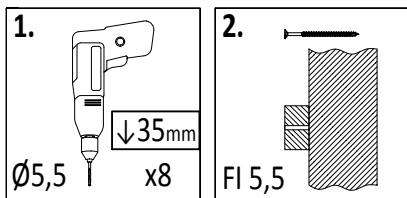
52



53



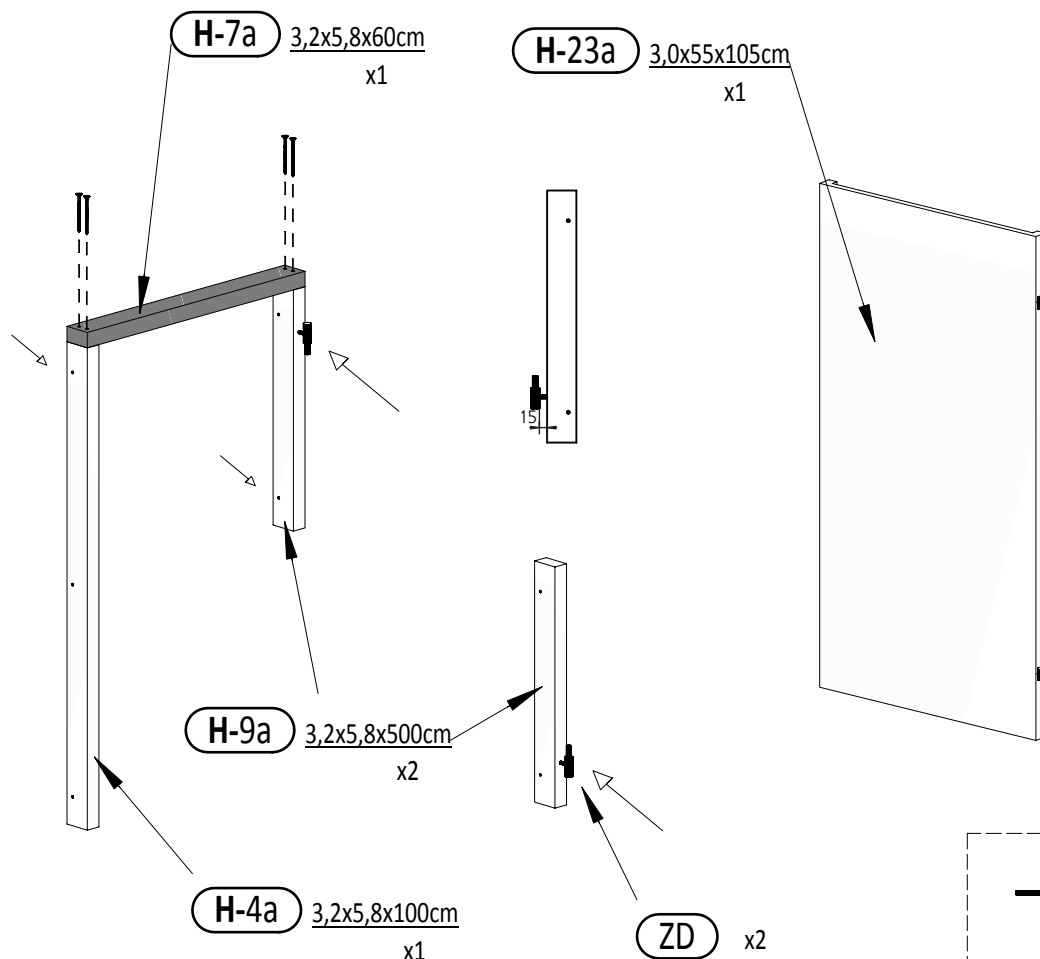
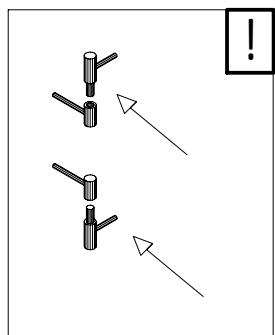
39



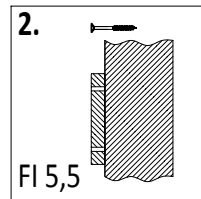
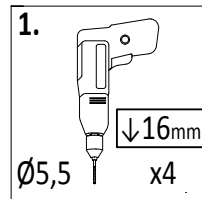
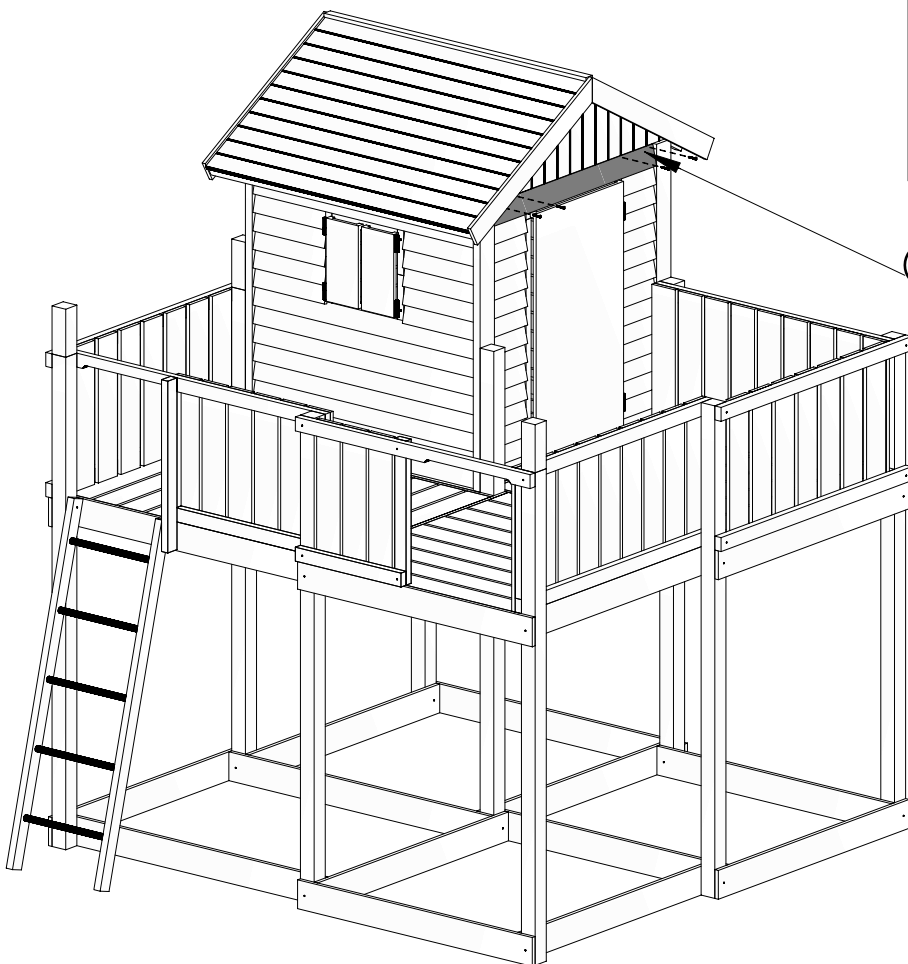
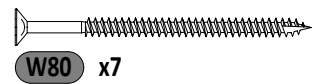
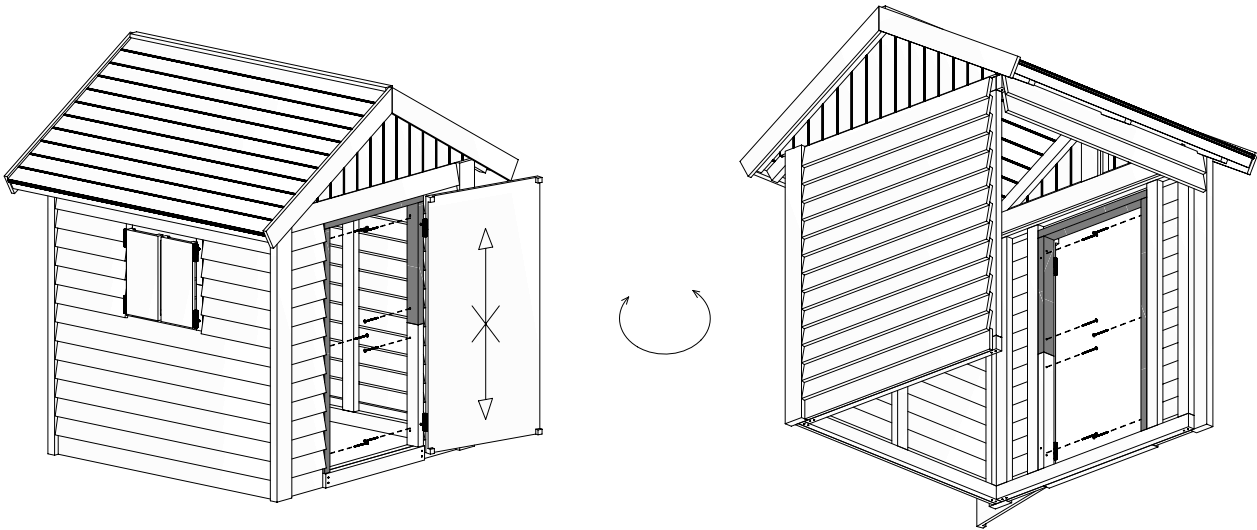
W40 x16



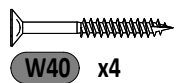
W80 x8



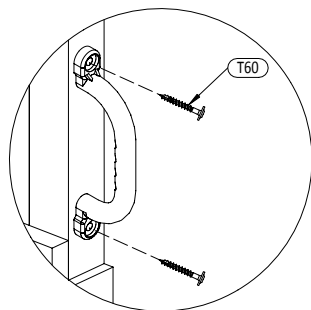
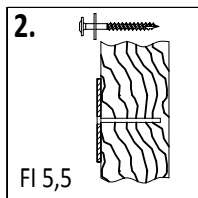
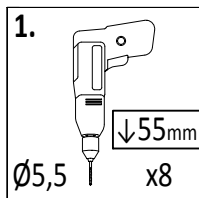
W80 x4



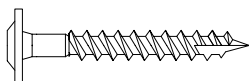
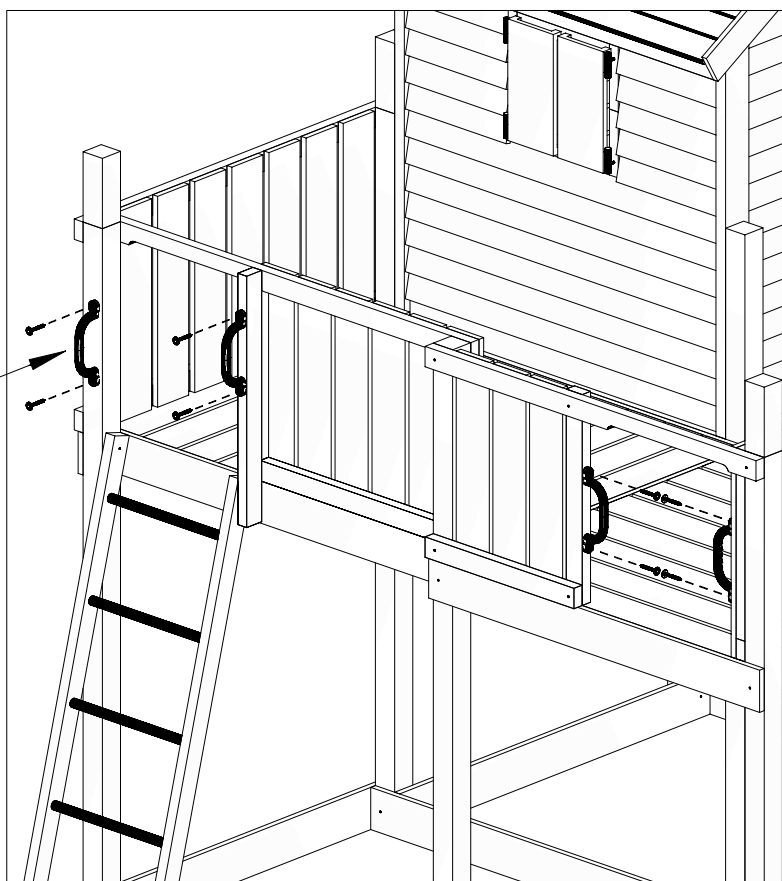
H-15 1,6x9,0x102cm
 x1



58

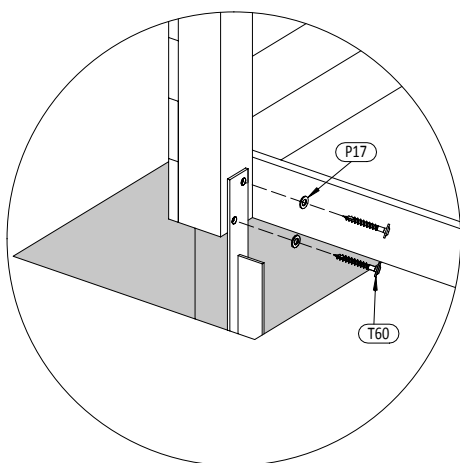
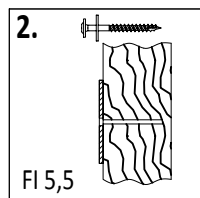
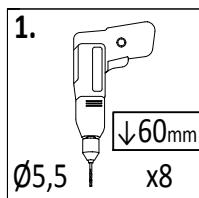


UC x4



T60 x8

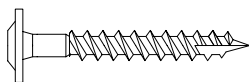
59



MG x4

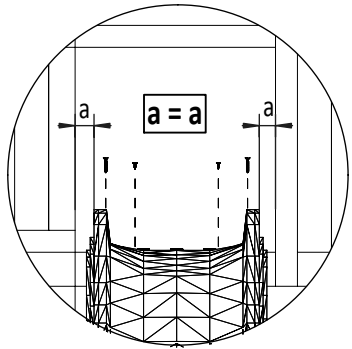
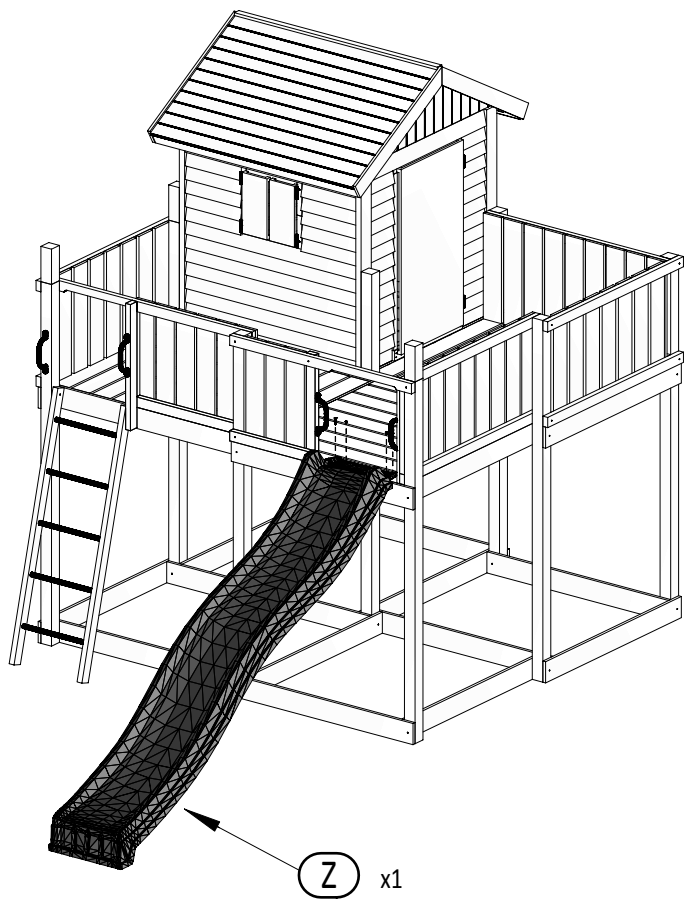




P17 x8

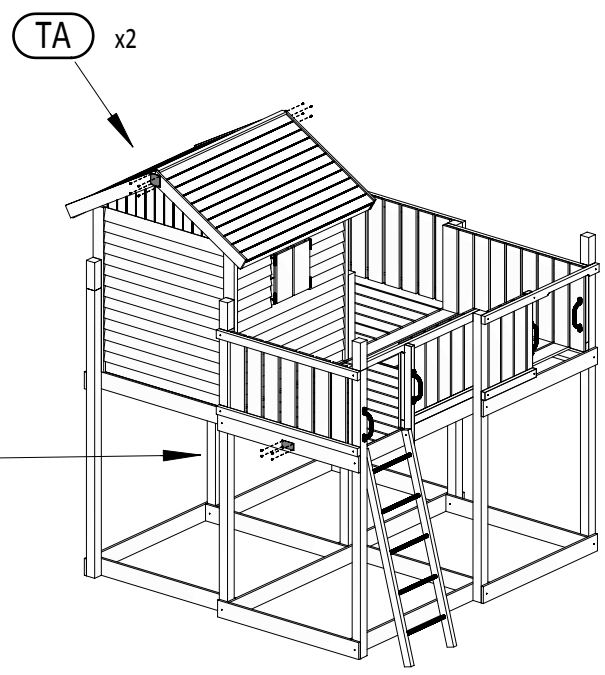
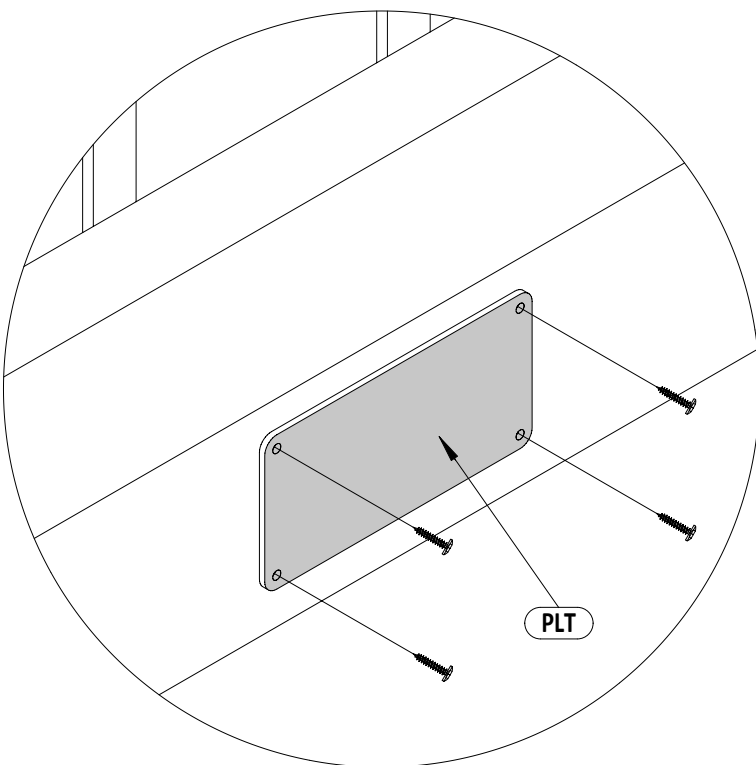



T60 x8

42



-  W40 x2
-  W20 x2



-  W20 x12