

Assembly instruction

TerraWood - Crafted

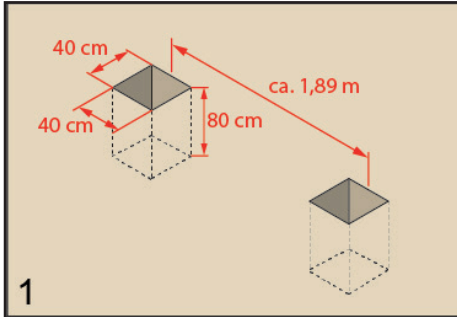
Bamboo plug fence

Note:

Check fence elements and accessories before assembly. Visible defects reported later will not be accepted! In case of improper use as well as faulty installation, disregarding the installation instructions,

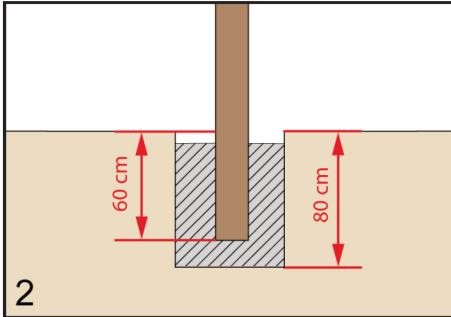
any warranty claim will expire. Observe all local building regulations and codes during planning and installation. The responsibility for proper installation of the fence on buildings, posts, etc.,

taking into account the concerns of statics, fire protection, etc., is the responsibility of the executing trade.



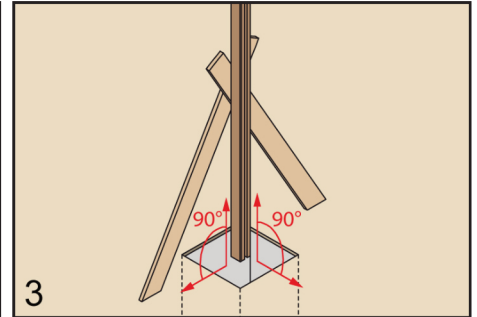
1

Please dig a hole to a depth of 80 cm. You should pay attention to an axis dimension (center post to center post) of approx. 1.89 m.



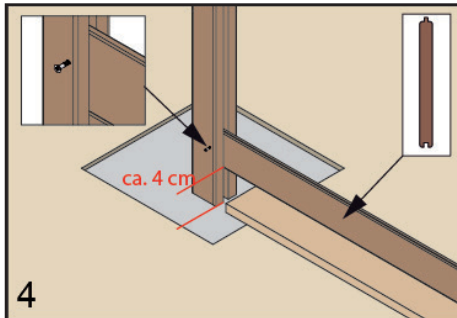
2

Fill the holes with concrete. Pay attention to the corresponding curing times of the concrete manufacturer.



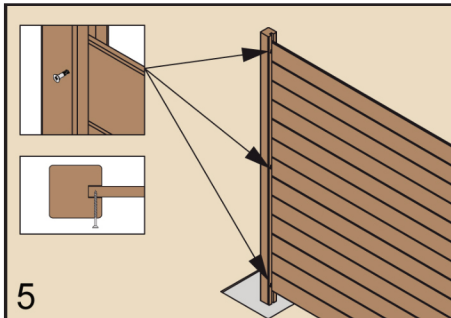
3

The post must be aligned at right angles from all sides. Fix it with an auxiliary construction.



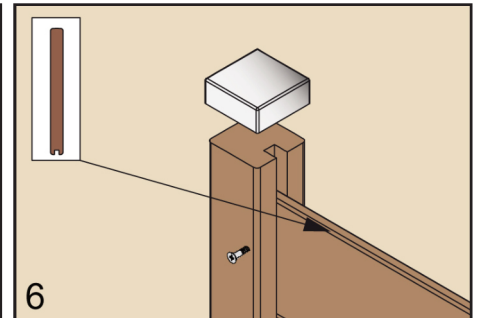
4

As a constructive wood protection, we recommend a distance of approx. 4 cm to the substrate to protect the material from possible weather damage.



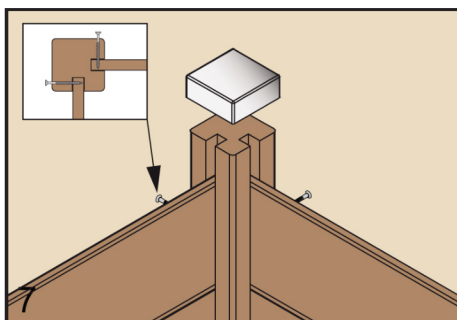
5

Three screw connections through the post into the plank, provide sufficient support and stability.

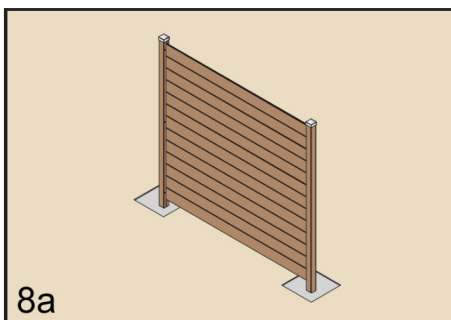


6

As the top plank, you can use the finishing board without the upper spring. After putting on the enclosed cover cap, you have finished the construction.

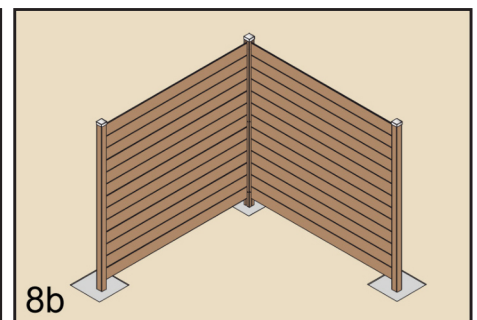


When screwing the corner posts, please note that the screws should be placed from the outside.



8a

Planning example 1:
Standard design



8b

Planning example 2:
Design around corner

Notes

Bamboo is a natural product, even within one batch there may be variations in color, grain and density of the material. Furthermore, due to sunlight, waterlogging and/or weathering, water stains, lignin leaching, warping and fading of the boards may occur - depending on the intensity of weathering, these changes may vary in severity.

This is normal, unavoidable, and is not a reason for complaint.

The boards and posts are pre-oiled at the factory and must be treated with our Bamboo Care Oil Special after installation. Regular re-oiling to maintain the beauty of the material is essential.

Use only stainless steel accessories for assembly, avoid contact with steel parts, they cause irreversible stains in the material due to chemical processes (iron oxidation). For maintenance cleaning, use a mild soapy water. Deeper seated Deep-seated contamination can be removed carefully with a chlorine cleaner if necessary.